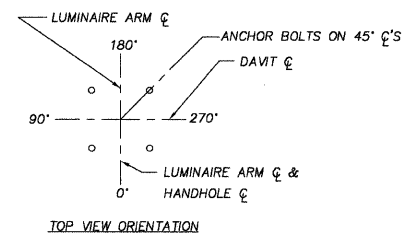
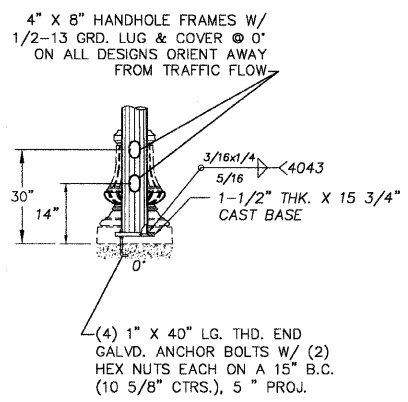
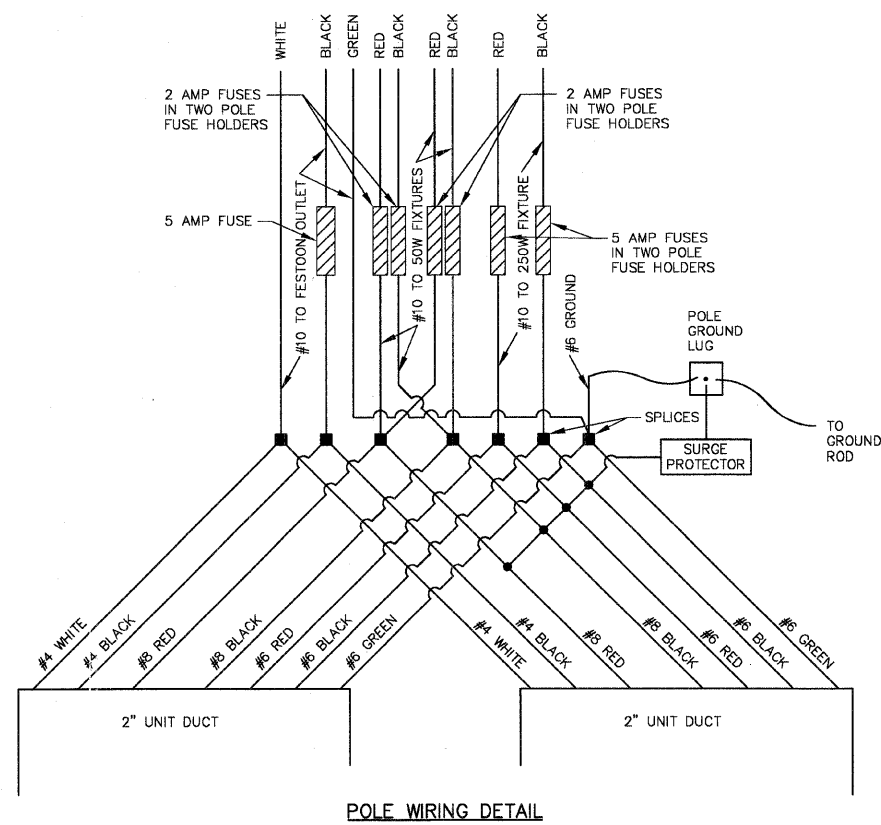
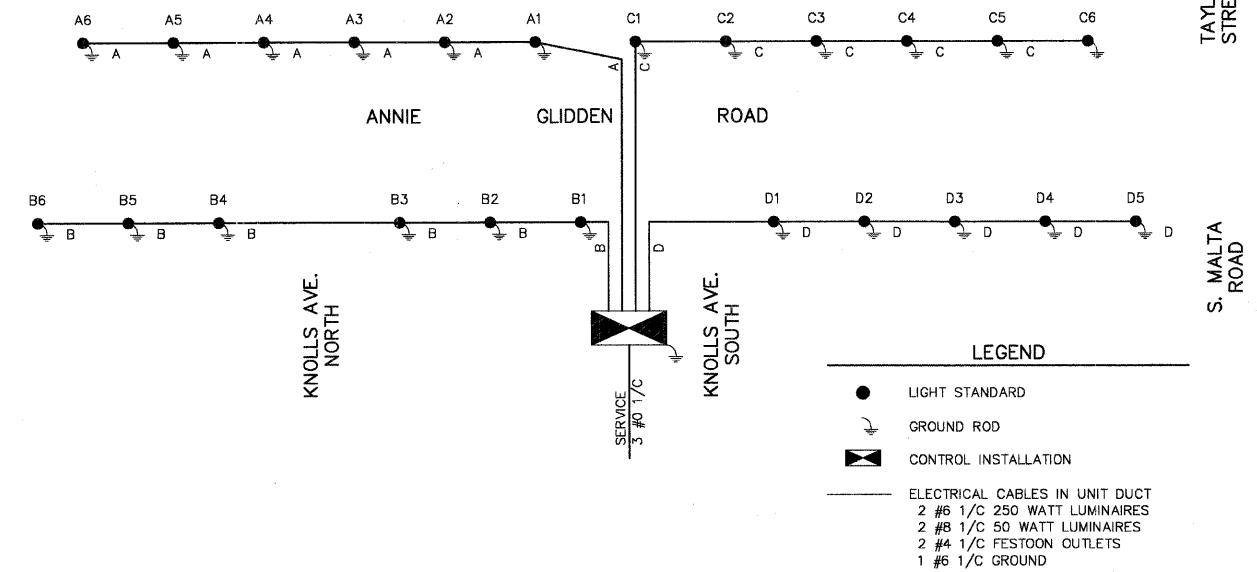


MATERIAL SPECIFICATIONS	
POLE & DAVIT TUBES	6063-T6
ANCHOR BASE & HANDHOLE FRAME	AA356-T6
BOLT COVERS	ASTM-B26(AA356)
ANCHOR BOLTS NUTS	ASTM-A563 GR. A
ANCHOR BOLTS	ASTM-F1554 GR105
STN. STL. HARDWARE	AISI 300 SERIES STN. STL.
PEDESTAL BASE	CAST ALUM. -AA319F



- NOTES:
- 1) POLE & DAVIT HEAT TREATED TO -76 TEMPER AFTER WELDING.
 - 2) DESIGNED IN ACCORDANCE WITH 2001 AASHTO FOR 90 M.P.H. WINDS AND 50 YEAR DESIGN LIFE.
 - 3) FINISH PAINT: PER SALES ORDER.

LIGHT STANDARD DETAIL



DIVISION OF TRANSPORTATION	
STREET LIGHTING DETAILS	
ANNIE GLIDDEN RD	
NAME	DATE
REVISIONS	
SCALE: NONE	DRAWN BY: JMH
DATE: 6-15-05	CHECKED BY: DAY