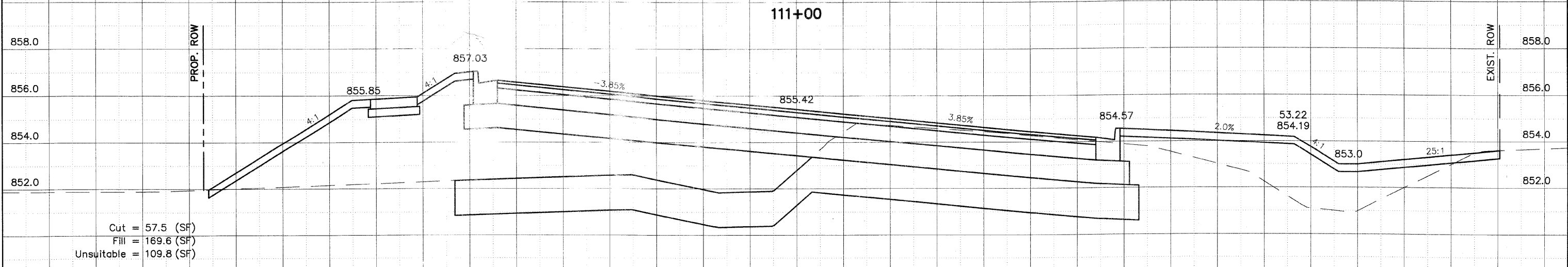
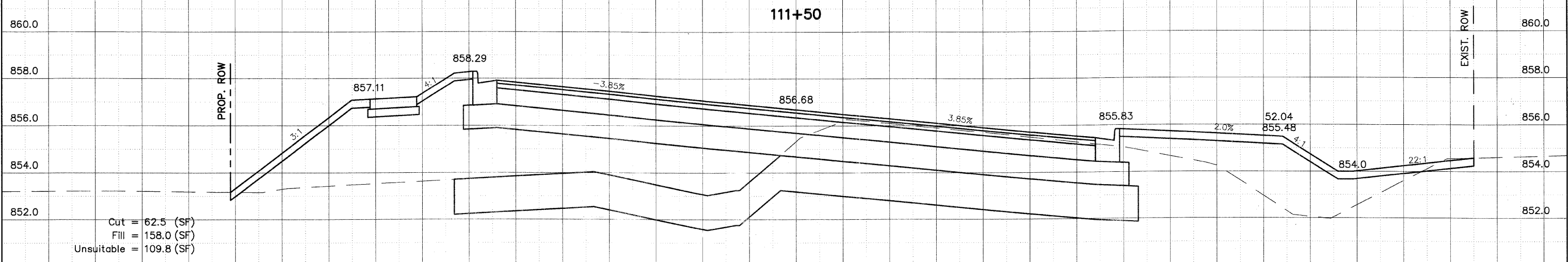
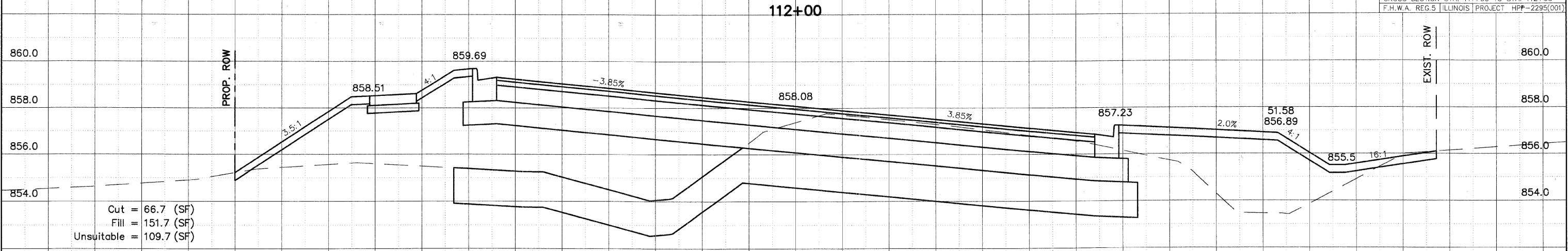


F.A.U. ROUTE	CONTRACT NO.	COUNTY	TOTAL SHEETS
5348	87330	DEKALB	140
STATE SECTION	05-0016C-00-WR		121
CROSS SECTION STA. 111+00 TO STA. 112+00			
F.H.W.A. REG. 5 ILLINOIS PROJECT HPP-2295(001)			



ANNIE GLIDDEN ROAD

SCALE:
1" = 5' HORIZ.
1" = 2' VERT.