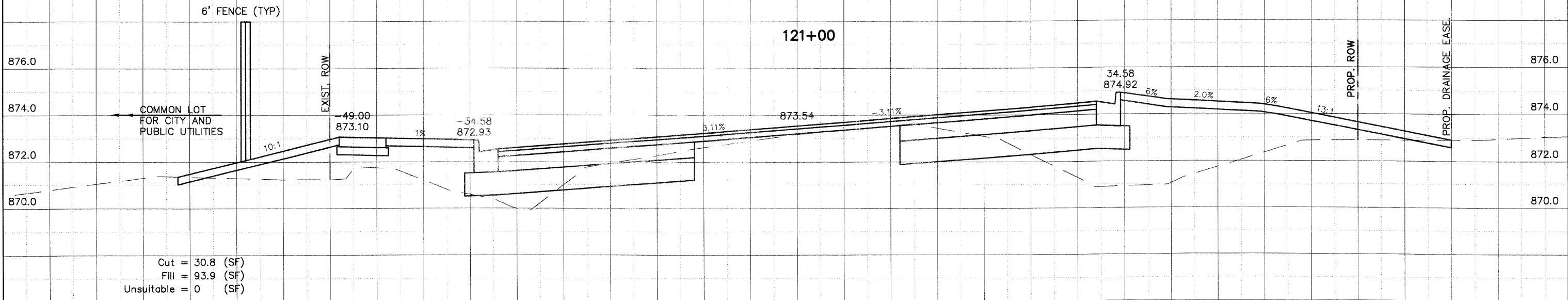
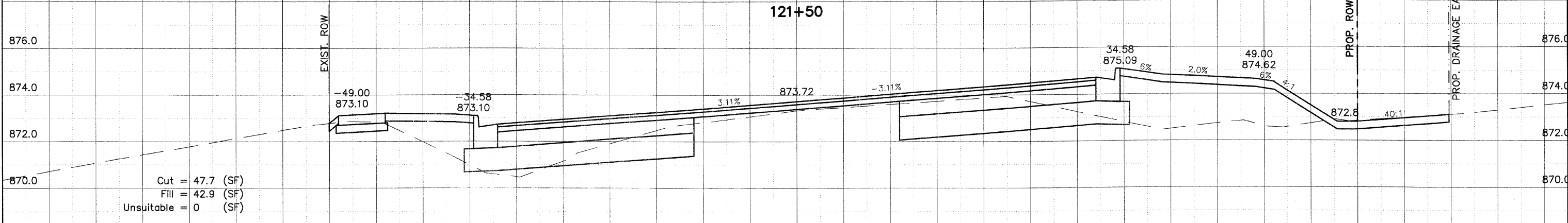
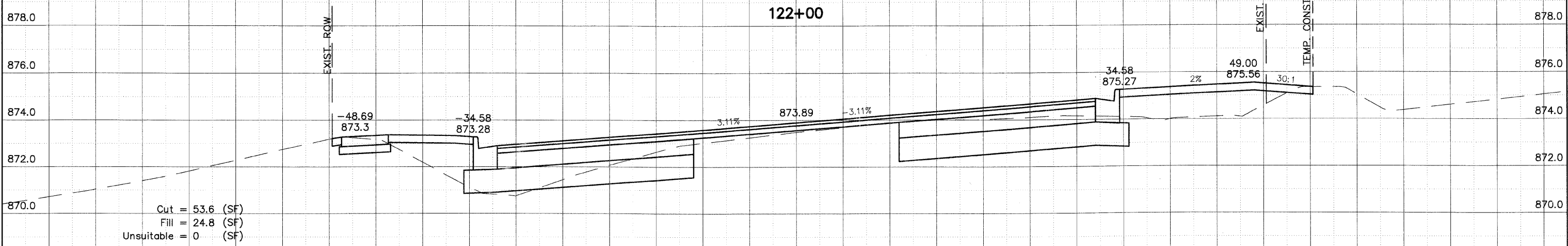


F.A.D. ROUTE	CONTRACT NO.	COUNTY	TOTAL SHEETS
534B	87330	DEKALB	140
STATE SECTION	DEKALB	140	127
CROSS SECTION STA. 121+00 TO STA. 122+00			
F.H.W.A. REG. 5 ILLINOIS PROJECT HPP-2295(001)			



ANNIE GLIDDEN ROAD

SCALE:
1" = 5' HORIZ.
1" = 2' VERT.