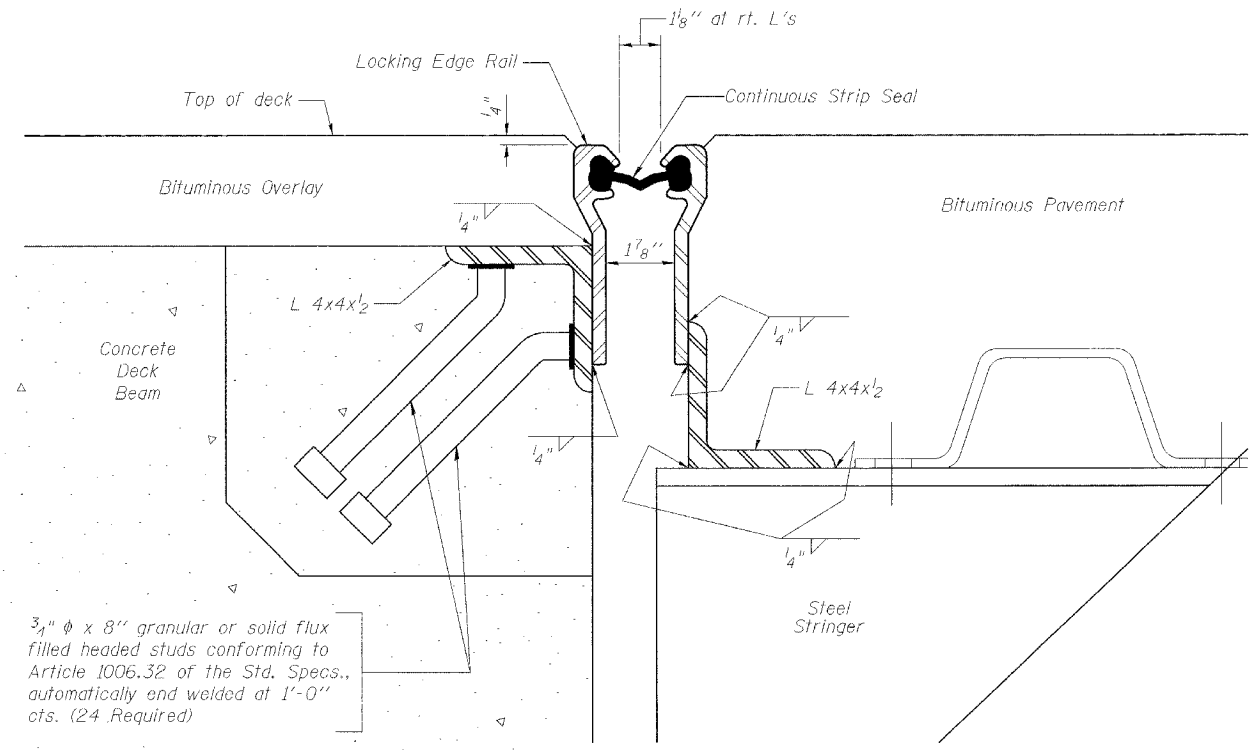


STATE OF ILLINOIS
DEPARTMENT OF TRANSPORTATION

93421

RTE.	SECTION	COUNTY	TOTAL SHEETS	SHEET NO.
CR 603	02-23118-00-BR	ADAMS	13	13
STA. 4+70.00		TO STA. 10+16.18		
FED. ROAD DIST. NO. 6	ILLINOIS	FED. AID PROJECT		

BRIDGE PLANS SHEET 8 OF 8



SECTION THRU FIXED STRIP SEAL
(At Pier #1)

GENERAL NOTES

The strip seal shall be made continuous and shall have a minimum thickness of 1/4". The configuration of the strip seal shall match the configuration of the Locking Edge Rails.

The height and thickness of the Locking Edge Rails shown are minimum dimensions. The actual configuration of the Locking Edge Rails and matching strip seal may vary from manufacturer to manufacturer. Flanged edge rails will not be allowed.

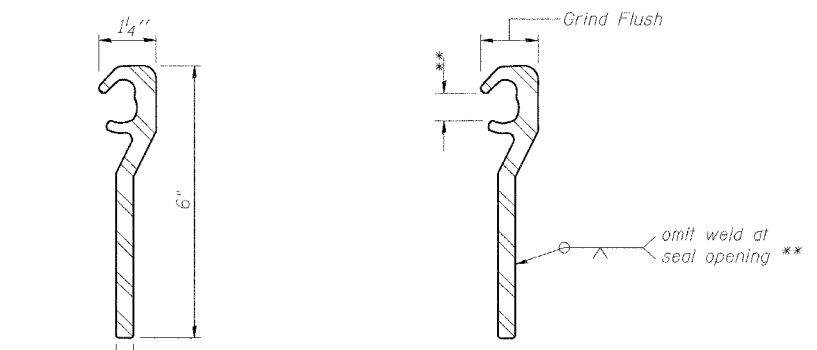
Locking Edge Rails may be spliced at slope discontinuities and stage construction joints.

The manufacturer's recommended installation methods shall be followed.

The joint opening and deck dimensions detailed on the superstructure are based on a the joint seals as shown. Any changes must be approved by the Engineer. Required modifications shall be made at no additional cost to the State.

BILL OF MATERIAL

Item	Unit	Total
Bridge Joint System (Fixed)	Foot	24



LOCKING EDGE RAIL LOCKING EDGE RAIL SPLICE

The inside of the Locking Edge Rail groove shall be free of weld residue.

REVISIONS	
NAME	DATE

BRIDGE JOINT SYSTEM - FIXED

CR 603E OVER
BEAR CREEK
SEC 02-23118-00-BR
ADAMS COUNTY
STA 6+87.26
STRUCTURE NUMBER 001-3417

SCALE: VERT. N/A DRAWN BY JLS
 HORIZ. N/A
DATE: MAY 2006 CHECKED BY DSP

PSBA Project No: R-03-013