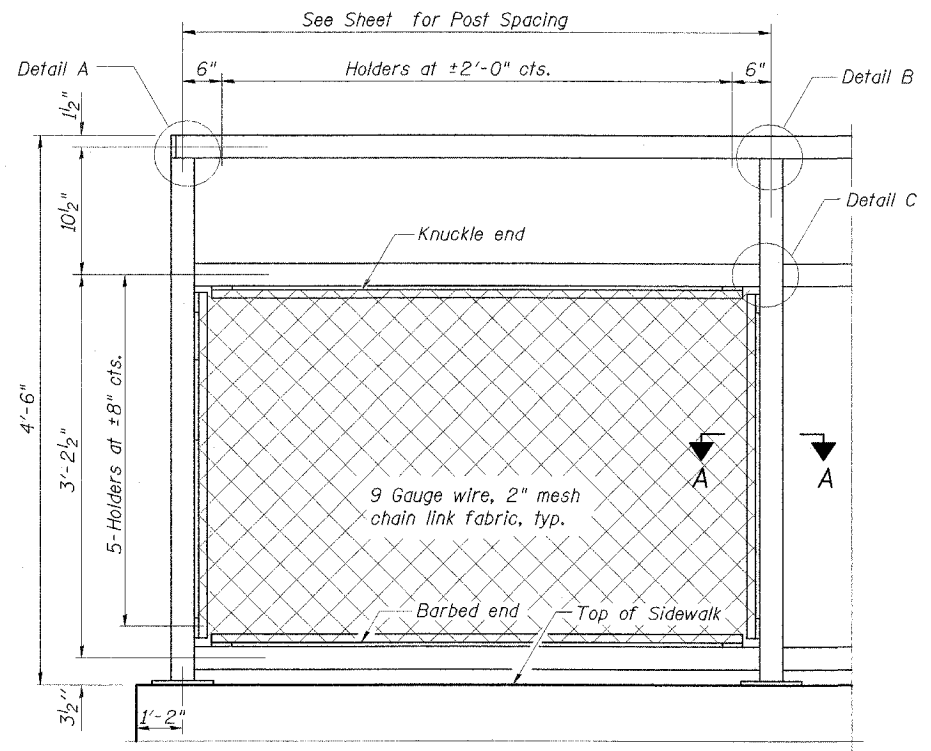
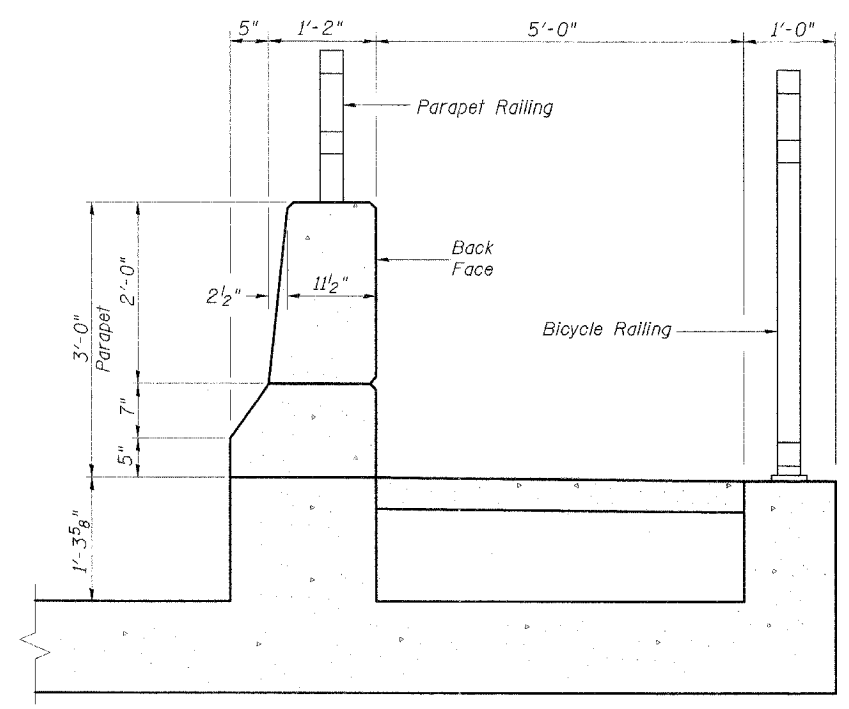


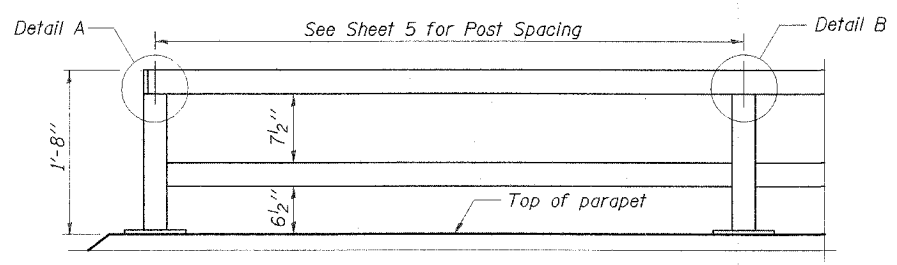
F.A.U. RTE.	SECTION	COUNTY	TOTAL SHEETS	SHEET NO.
8009	05-00445-00-BR	SANGAMON	17	13
STA.		TO STA.		
FED. ROAD DIST. NO.		ILLINOIS FED. AID PROJECT		



BICYCLE RAILING

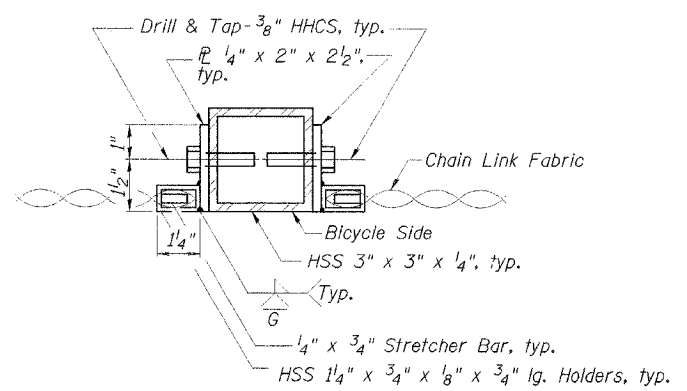


SECTION THRU CULVERT

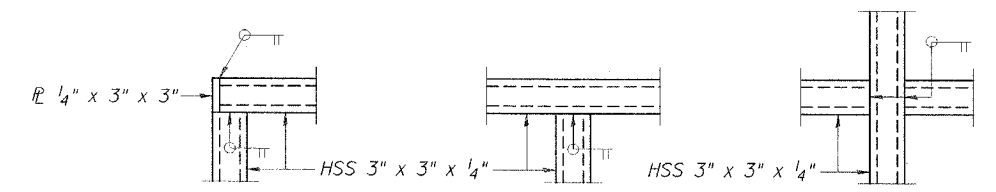


PARAPET RAILING ELEVATION

(Inside Face of Two Element Rail)



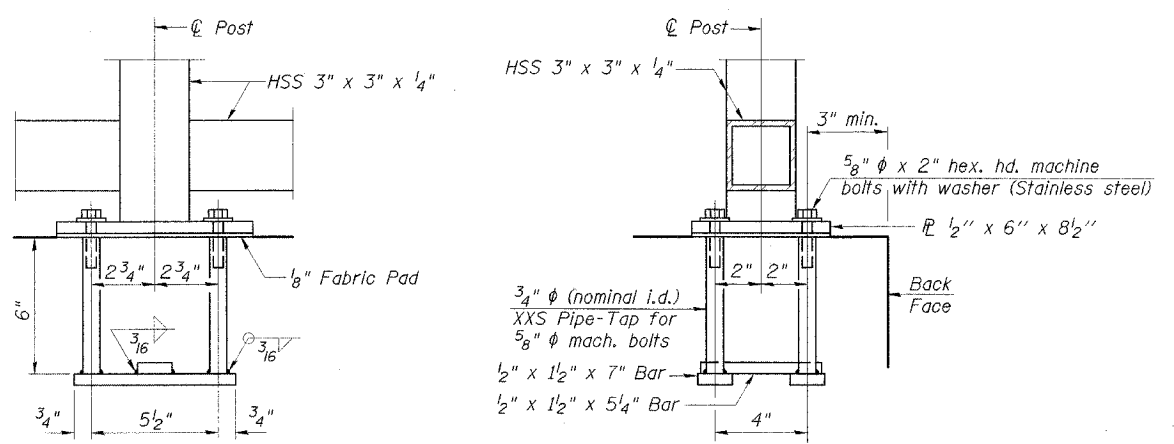
SECTION A-A



DETAIL A

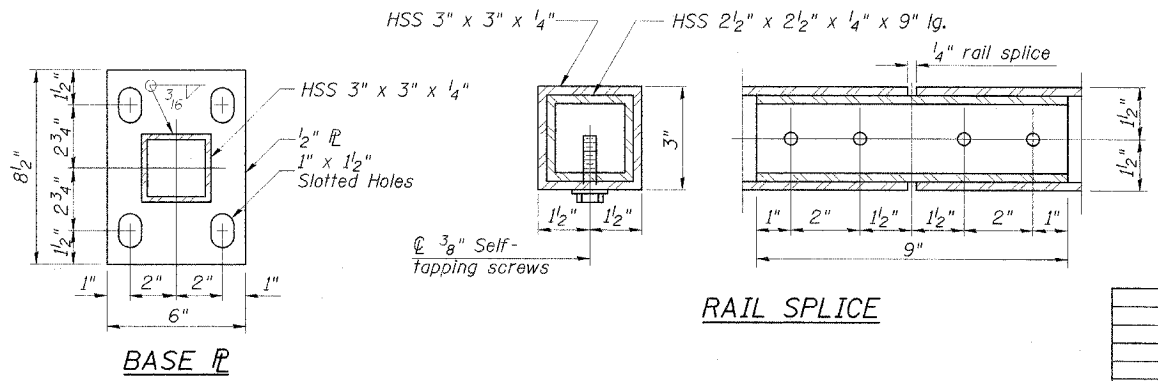
DETAIL B

DETAIL C



ANCHOR BOLT DETAILS

In lieu of the cast-in-place anchor device shown, the Contractor has the option of drilling and epoxy grouting 5/8" φ anchor rods. Embedment shall be according to the manufacturer's specifications.



BASE

RAIL SPLICE

BILL OF MATERIAL

Item	Unit	Quantity
Bicycle Railing	Foot	140
Parapet Railing	Foot	54

REVISIONS	
NAME	DATE

CITY OF SPRINGFIELD, ILLINOIS
BICYCLE RAILING
 FAU 8009-AMOS AVE. OVER DRAINAGE DITCH
 SECTION 05-00445-00-BR
 SANGAMON COUNTY
 STATION 4+69.00 S.N. 084-8009
 SCALE: NONE DRAWN BY: GLD
 DATE: 5/26/06 CHECKED BY: GBR

CMT
 CRAWFORD MURPHY & TILLY, INC.
 CONSULTING ENGINEERS
 SPRINGFIELD, IL ■ AURORA, IL ■ ST. LOUIS, MO
 ROCKFORD, IL ■ PEORIA, IL ■ CHICAGO, IL

L:\Springfield\050205\Draw\Sheets\BICYCLE_RAILING.DWG 5/24/2006