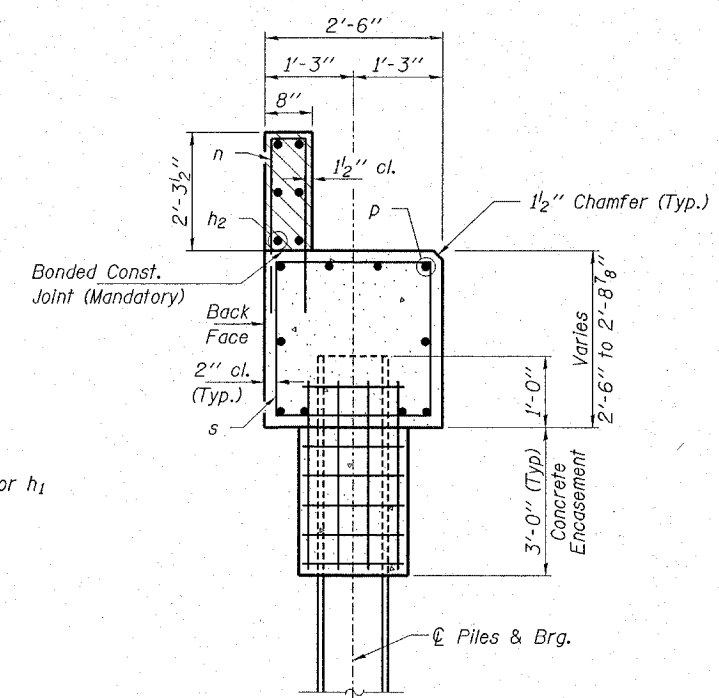
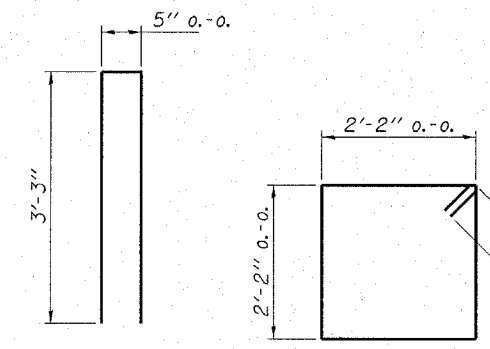


PLAN



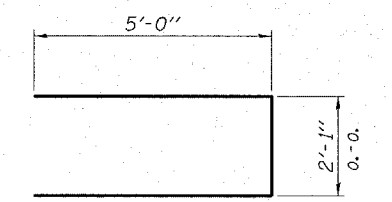
SECTION A-A

Hatched area to be poured after beams are in place.

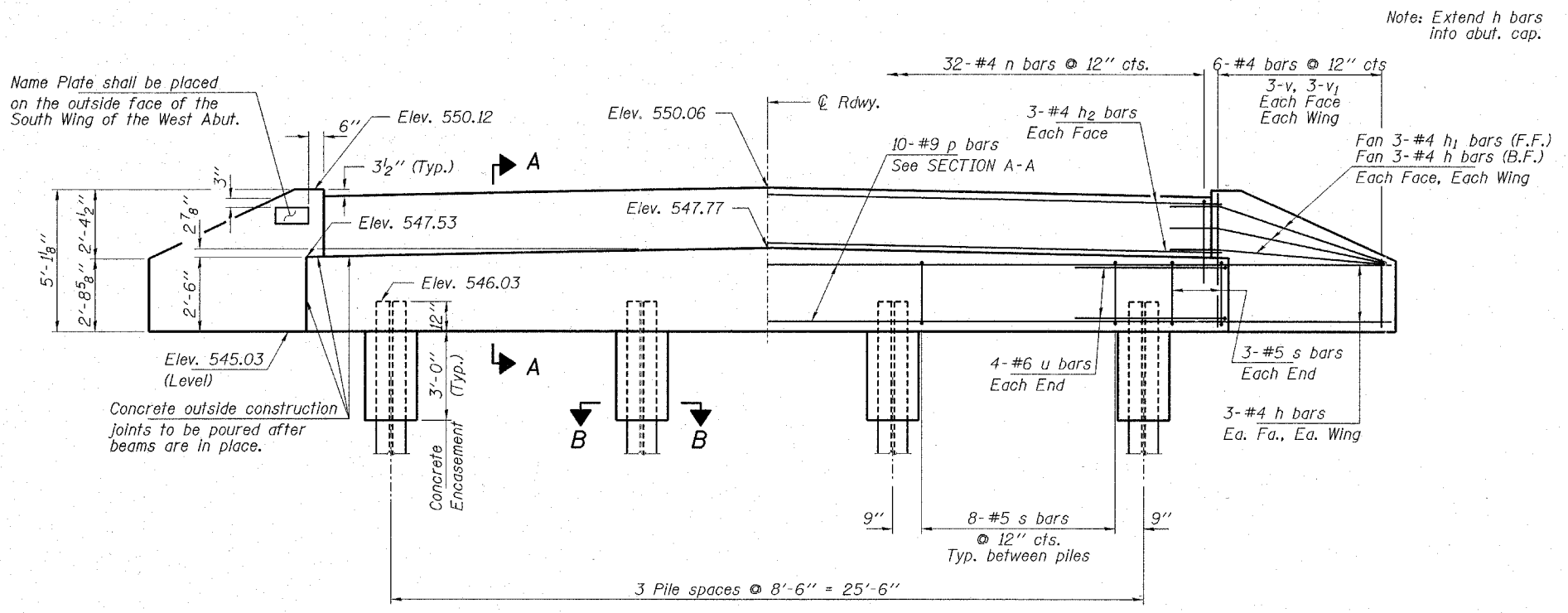


BAR n

BAR s

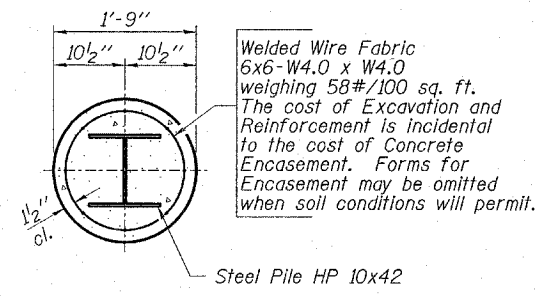


BAR u



ELEVATION
(Looking West)

Note: Extend h bars into abut. cap.



SECTION B-B

BILL OF MATERIAL - W. ABUT.

BAR	NO.	SIZE	LENGTH	SHAPE
h	18	#4	6'-6"	—
h1	6	#4	5'-6"	—
h2	6	#4	31'-6"	—
n	32	#4	6'-11"	□
p	10	#9	31'-2"	—
s	30	#5	9'-7"	□
u	8	#6	12'-1"	—
v	12	#4	4'-0"	—
v1	12	#4	2'-6"	—
Concrete Structures			Cu. Yd.	11.0
Reinf. Bars, Epoxy Coated			Pound	1,930
Name Plates			Each	1
Steel Piles HP10x42			Foot	100
Driving Steel Piles			Foot	100
Concrete Encasement			Cu. Yd.	1.0

All bars shall be Epoxy Coated.

PILE DATA

Type _____ Steel HP 10x42
 No. Req'd. _____ 4
 Capacity _____ Drive to Refusal
 Est. Length _____ 25 Feet/Pile

HLR
 Rice, Berry and Associates
 A Division of Hampton,
 Lenzi and Renwick, Inc.
 Civil & Structural Engineers
 3085 Stevenson Drive
 Suite 201
 Springfield, Illinois 62703
 217-546-3400
 P.O. Box 1036
 DuQuoin, Illinois 62832
 618-790-4637
 Date: 03/17/06
 DESIGNED: S.M.S. CHECKED: S.W.M. DRAWN: D.T.M.

WEST ABUTMENT
SECTION 02-00104-00-BR
 F.A.S. 712 / C.H. 24
 FAYETTE COUNTY
 STR. NO. 026-3431 / STATION 102+50