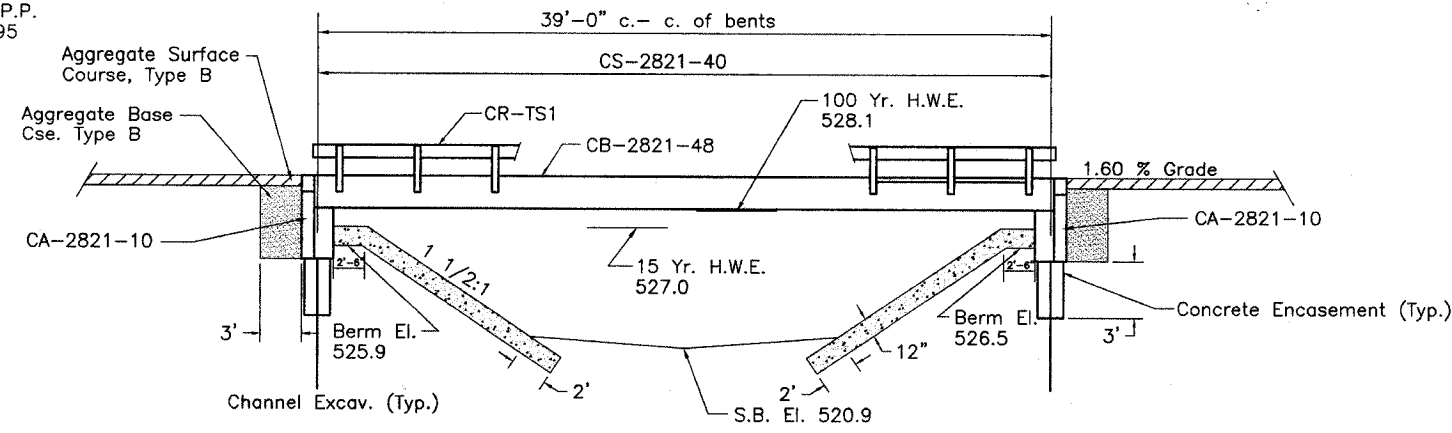


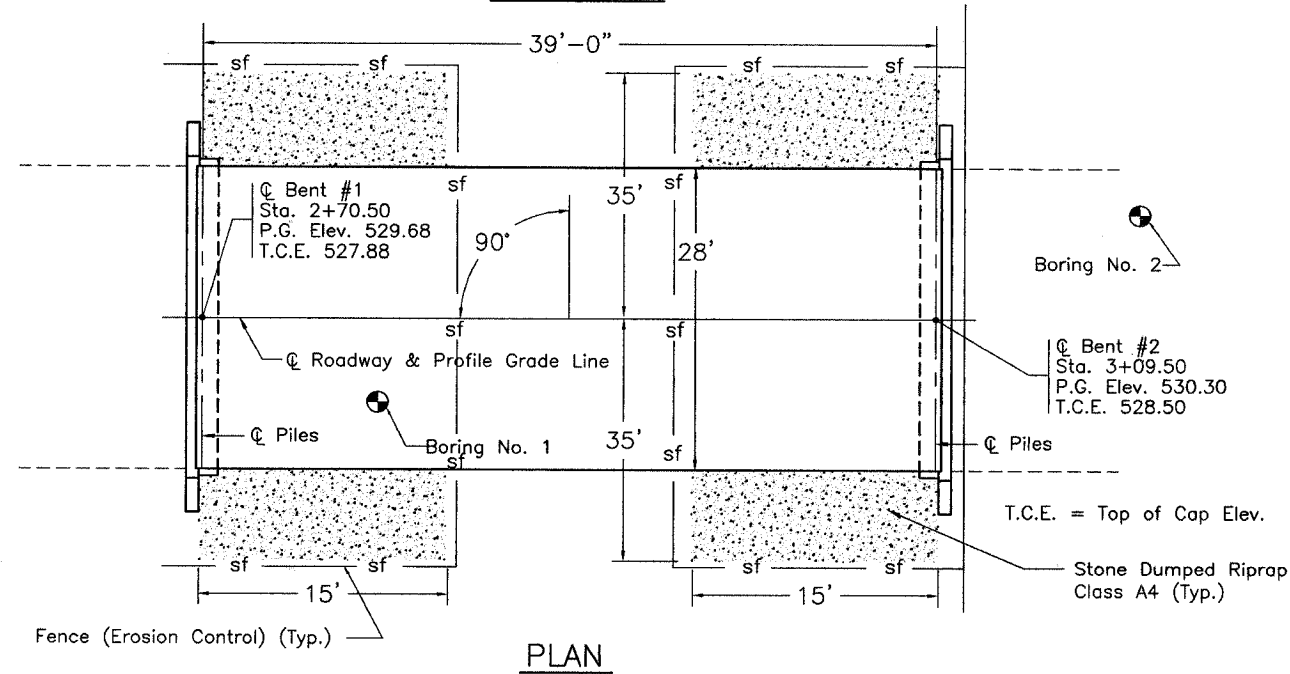
B.M. - Lt. Sta. 2+30
Spike in P.P.
Elev. 529.95

ROUTE	SECTION	COUNTY	TOTAL SHEETS	SHEET NO.
C.H. 11	05-00101-00-BR	JASPER	12	4
CONTRACT NO. 95472		ILLINOIS	PROJECT BROS-079(132)	



Existing Structure
Single Span Concrete Beam Bridge
17' Bk. - Bk. Abuts.
Closed Concrete Abutments
16' Concrete Deck

ELEVATION



PLAN

PILE DATA (2-ABUTS.)

Type	HP 10 X 42
Capacity	Refusal
Estimated Length	30'
No. Required	10 (Includes 1 Test Pile located in Bent #2)

STATION 2+90.00
WEST FORK WETWEATHER CREEK
SEC. 05-00101-00-BR BUILT 20
JASPER COUNTY
PROJECT BROS-079(132)
LOADING HS20
STR. NO. 040-3039

LETTERING FOR NAME PLATE

Locate Name Plate at S.W. corner
of Bridge (See Std. CR-TS1)

Salvage - Any material deemed salvageable by the Engineer shall be stockpiled on the R.O.W. and shall become the property of Jasper County. The Contractor shall dispose of all remaining material.

LOADING HS20-44

Allow 25#/sq. ft. for future wearing surface

DESIGN SPECIFICATIONS

2002 AASHTO Standard Specifications - 17th ed.

SEISMIC DATA

Seismic Performance Category (SPC) = A
Bedrock Acceleration Coefficient (A) =
Site Coefficient (S) = 1.0

GP-1

GENERAL NOTES

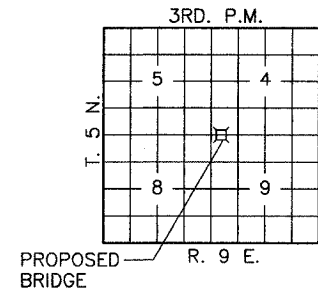
- The Contractor shall drive 1 test pile as specified in a permanent location as directed by the Engineer before ordering the remaining piles.
- See Special Provisions for boring logs.
- Channel Excavation: This material shall be excavated as shown within the limits of the proposed bridge then tapered to the existing channel at the Roadway R.O.W. It is estimated that 50% of the Channel Excavation will be suitable for use in the embankment. Unsuitable material shall be disposed of by the Contractor.

TOTAL BILL OF MATERIAL

Item	Unit	Super	Sub.		Total
			Piers	Abuts.	
Removal of Existing Structures	Each				1
Concrete Structures	Cu.Yds.			19.8	19.8
Precast Prestressed Concrete Deck Beams (21" Depth)	Sq.Ft.	1120			1120
Steel Railing, Type S-1	Foot	80			80
Reinforcement Bars	Pound			2520	2520
Furnishing Steel Piles HP 10 X 42	Foot			270	270
Driving Steel Piles	Foot			270	270
Test Pile Steel HP 10 X 42	Each			1	1
Name Plates	Each			1	1
Concrete Encasement	Cu.Yds.			2.6	2.6
Aggregate Base Course, Type B	Tons			80	80
Stone Dumped Riprap, Class A-4	Tons			125	125
Channel Excavation	Cu.Yds.			360	360
Fence (Erosion Control)	Foot			250	250

INDEX OF SHEETS

- GENERAL PLAN & ELEVATION
- STANDARD CS-2821-40
- STANDARD CB-2821-48
- STANDARD CA-2821-10
- STANDARD CR-TS1
- STANDARD CN
- STANDARD CX-1



LOCATION SKETCH

I certify these Standard Bridge Plans for foundation treatment only.

Robert A. Charleston
5/10/07
Lic. Expires 11/30/07
REGISTERED PROFESSIONAL ENGINEER OF ILLINOIS
L.S. 0511 11-00-06
R.A. Charleston
4-20-06

WATERWAY INFORMATION

Drainage Area = 1.8 Sq. Mi. Low Grade Elev. = 528.6 @ Sta.1+50

Flood	Freq. Yr.	Q ft ³ /s	Opening ft ²		Nat. H.W.E.	Head - ft		Headwater	
			Exist.	Prop.		Exist.	Prop.	Exist.	Prop.
Design	15	410	66	129	527.0	0.2	0.1	527.2	527.1
Base	100	645	84	167	528.1	0.7	0.1	528.8	528.2
Overtopping									
Max. Calc.	500								

GENERAL PLAN & ELEVATION

C.H. 11
OVER W. FORK WETWEATHER CR.
SECTION 05-00101-00-BR
JASPER COUNTY
STATION 2+90.00