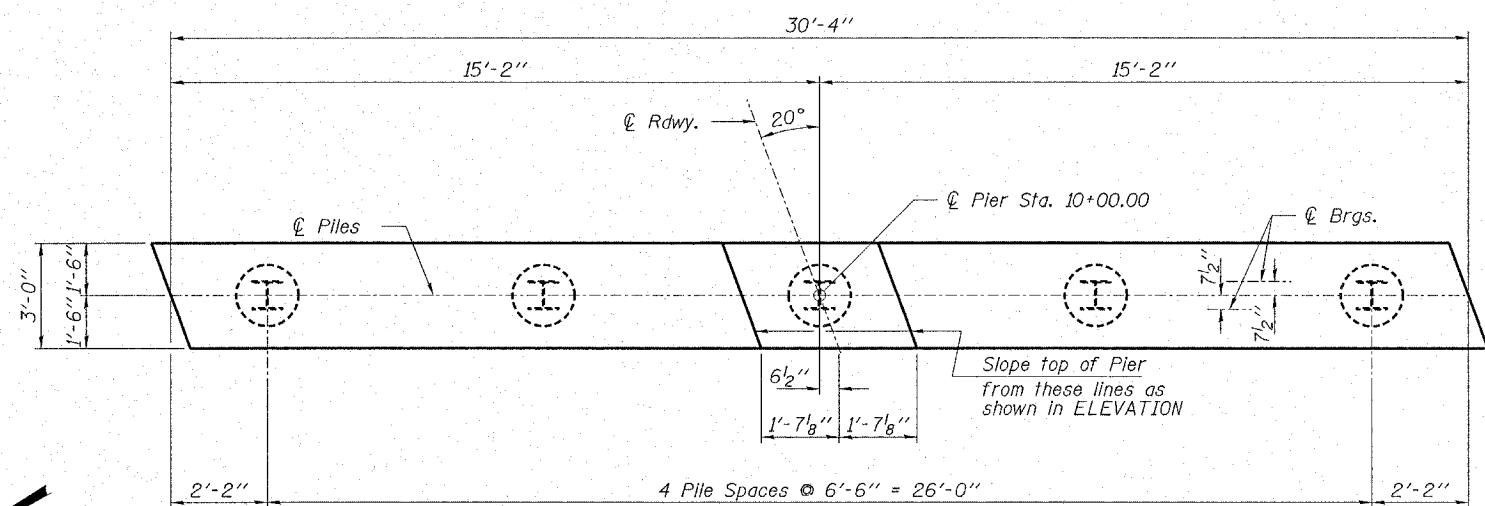
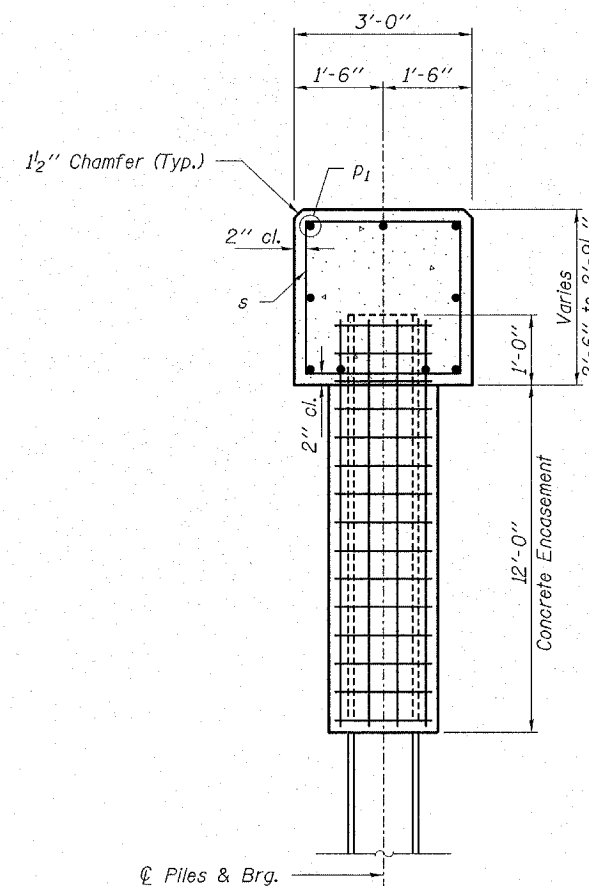


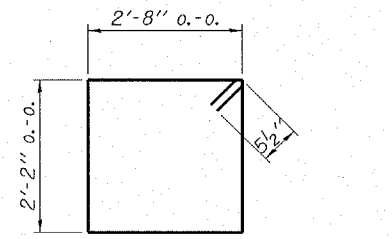
CONTRACT NO. 95480



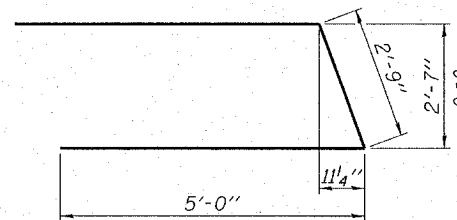
**PLAN**



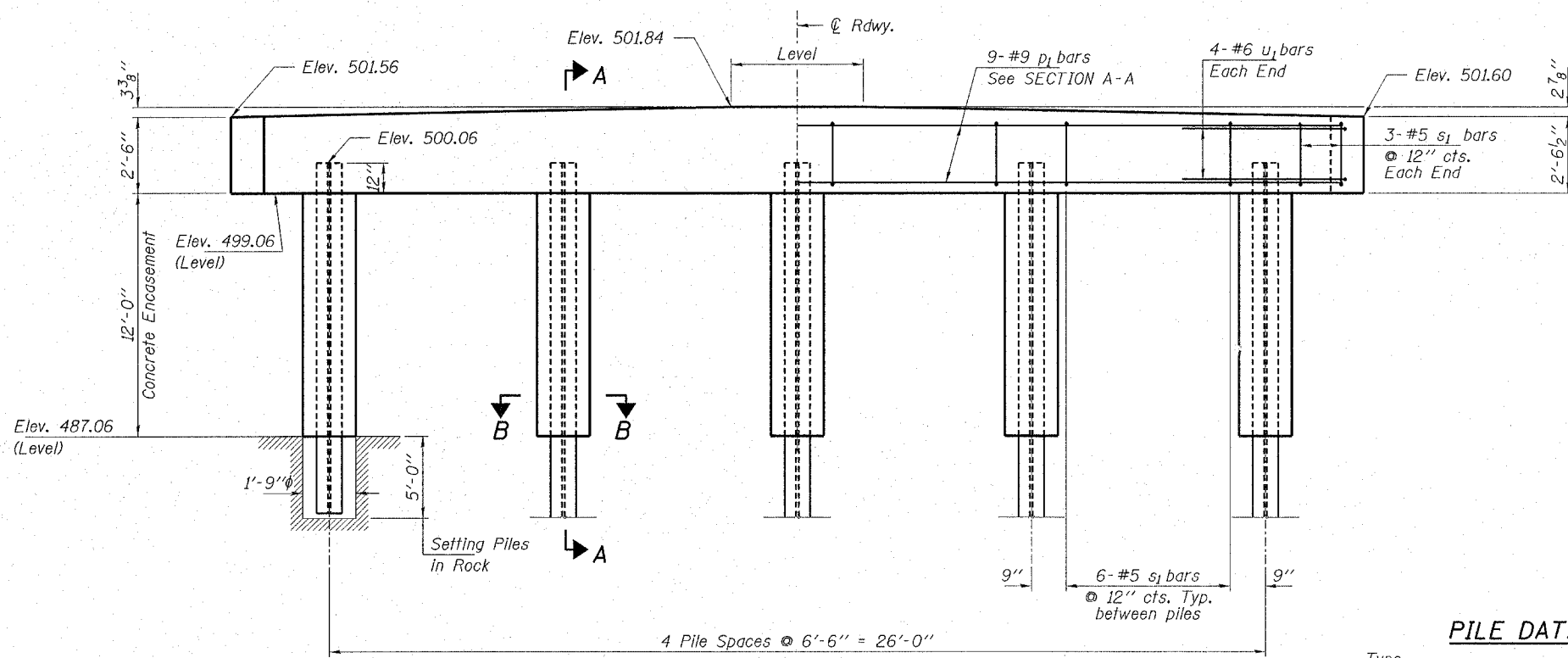
**SECTION A-A**



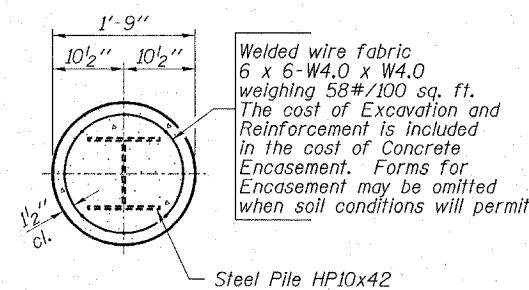
**BAR s1**



**BAR u1**



**ELEVATION**  
(Looking North)



**SECTION B-B**

**BILL OF MATERIAL - 1 PIER**

BAR	NO.	SIZE	LENGTH	SHAPE
p1	9	#9	30'-0"	—
s1	30	#5	10'-7"	□
u1	8	#6	12'-9"	▭
Concrete Structures		Cu. Yd.	9.0	
Reinforcement Bars		Pound	1,400	
Furnishing Steel Piles HP10x42		Foot	100	
Concrete Encasement		Cu. Yd.	5.2	
Setting Piles in Rock		Each	5	

**PILE DATA**

Type.....Steel HP10x42  
 No. Req'd.....5  
 Design Capacity.....56 Tons/Pile  
 Est. Length.....20 Feet/Pile

**HAMPTON, LENZINI & RENWICK, INC.**  
 CIVIL & STRUCTURAL ENGINEERS

**HLR** 3085 STEVENSON DRIVE, SUITE 201  
 SPRINGFIELD, ILLINOIS 62703  
 (217) 546-3400

ELGIN • SPRINGFIELD • DUQUOIN

PROJECT NUMBER: 12-23-0025-1 DATE: 05/10/06  
 DESIGNED: J.W.F. CHECKED: S.W.M. DRAWN: D.T.M.

**PIER**

**SECTION 05-00261-00-BR**

F.A.S. 690 / C.H. 22 / FOX ROAD

CLARK COUNTY

STRUCTURE NO. 012-3333 / STATION 10+00