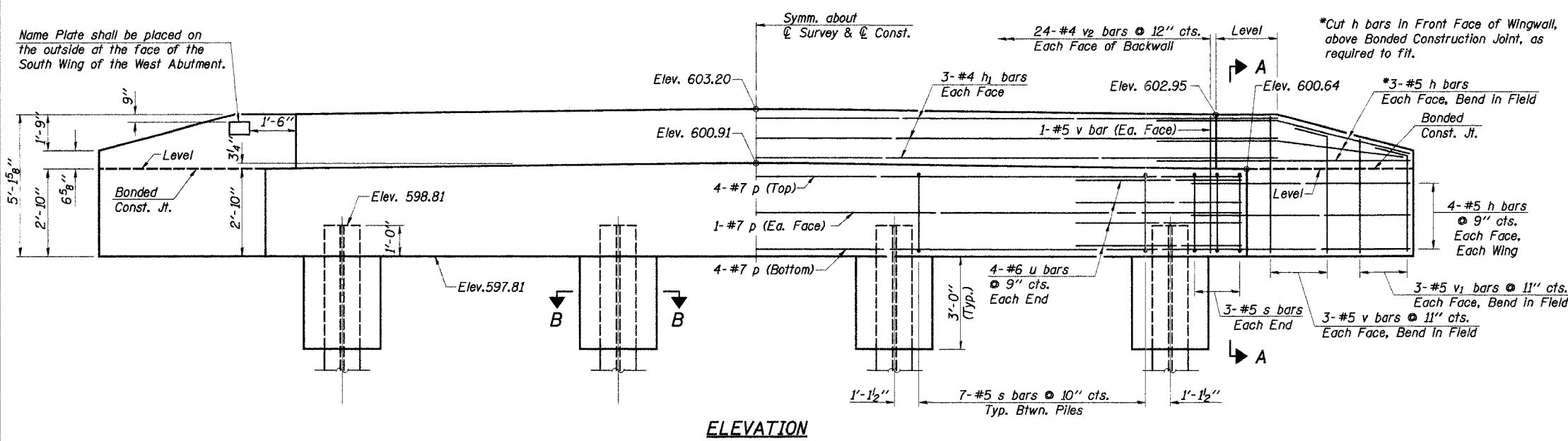
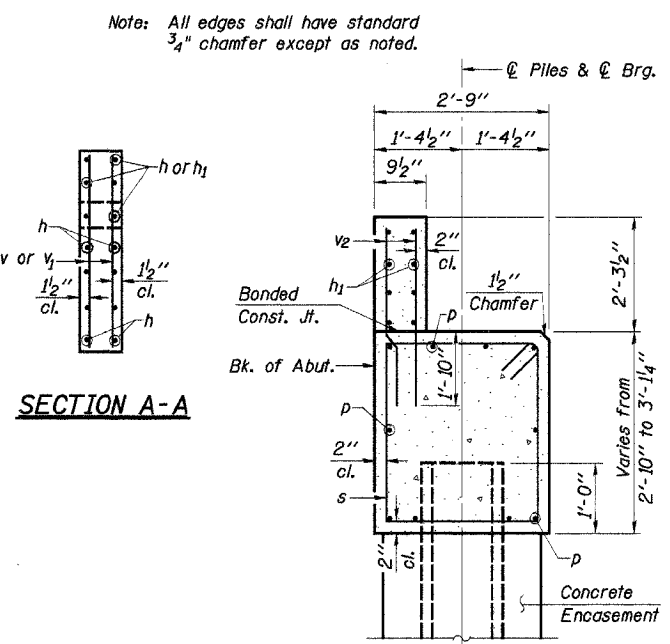


| ROUTE NO. | SECTION | COUNTY | TOTAL SHEETS | SHEET NO. |
|------------|----------------|----------|--------------|-----------|
| T.R. 133 | 05-17117-00-BR | SHELBY | 21 | 11 |
| ROAD DIST. | | ILLINOIS | RIDGE | |

CONTRACT NO. 95484



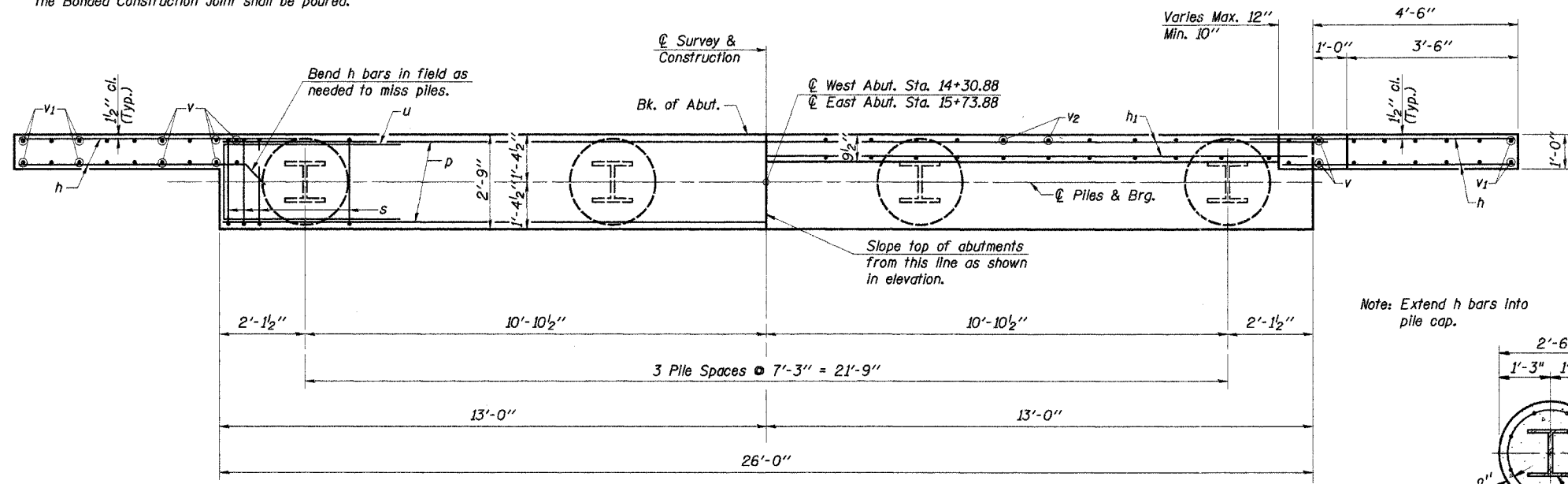
ELEVATION



SECTION A-A

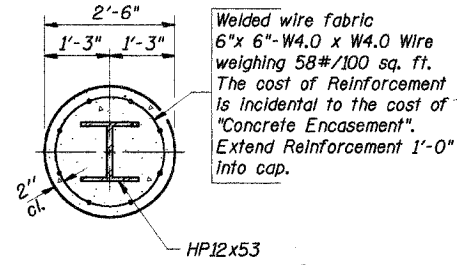
SECTION THRU ABUT.

Note: After beams are in place and dowel rods grouted, the backwall and the portions of the wingwalls above the Bonded Construction Joint shall be poured.



PLAN

Note: Extend h bars into pile cap.



SECTION B-B

**2 ABUTMENTS
BILL OF MATERIAL**

| Bar No. | Size | Length | Shape |
|-------------------------|------|---------|-------|
| h | #5 | 6'-6" | — |
| h1 | #4 | 27'-0" | — |
| p | #7 | 25'-8" | — |
| s | #5 | 10'-9" | □ |
| u | #6 | 12'-4" | □ |
| v | #5 | 4'-9" | — |
| v1 | #5 | 3'-9" | — |
| v2 | #4 | 3'-11" | — |
| Concrete Structures | | Cu. Yd. | 22.2 |
| Reinforcement Bars | | Pound | 3,120 |
| Name Plates | | Each | 1 |
| Test Pile Steel HP12x53 | | Each | 2 |
| Steel Piles HP12x53 | | Foot | 150 |
| Concrete Encasement | | Cu. Yd. | 4.4 |

PILE DATA

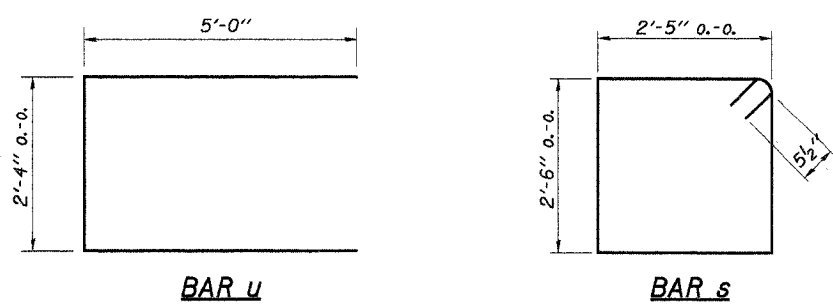
Type.....Steel HP12x53
 No. Req'd. (2 Abuts.).....*8
 Capacity.....Design 40 Tons/Pile
 Drive 60 Tons/Pile
 Test Pile 90 Tons/Pile
 Est. Length.....24 Feet/Pile-W. Abut.
 26 Feet/Pile-E. Abut.

*Includes 1 Test Pile to be driven in a permanent location at each Abutment.

ABUTMENTS

SECTION 05-17117-00-BR
 RIDGE ROAD DISTRICT
 SHELBY COUNTY
 STATION 15+02.38

| | |
|----------|-----------------|
| DESIGNED | F.J.S. |
| CHECKED | A.R.K. |
| DRAWN | S.A.P. |
| CHECKED | A.R.K. & F.J.S. |



BAR u

BAR s