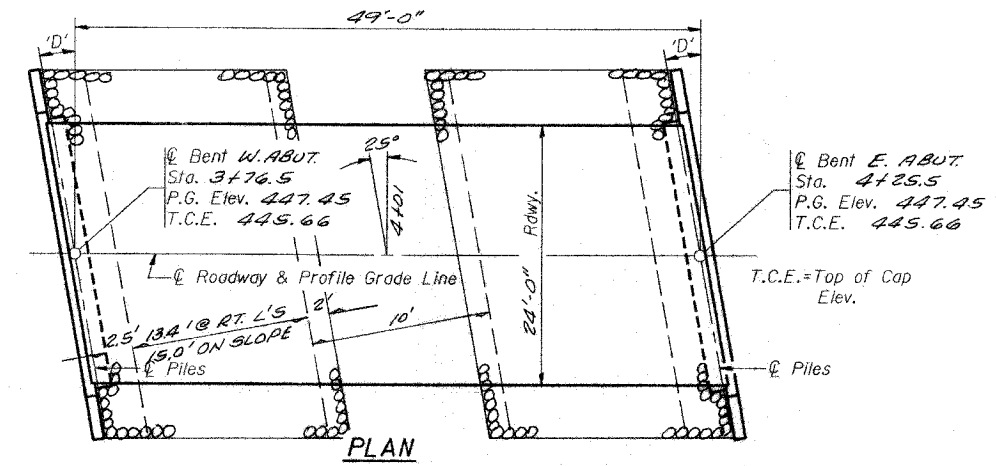
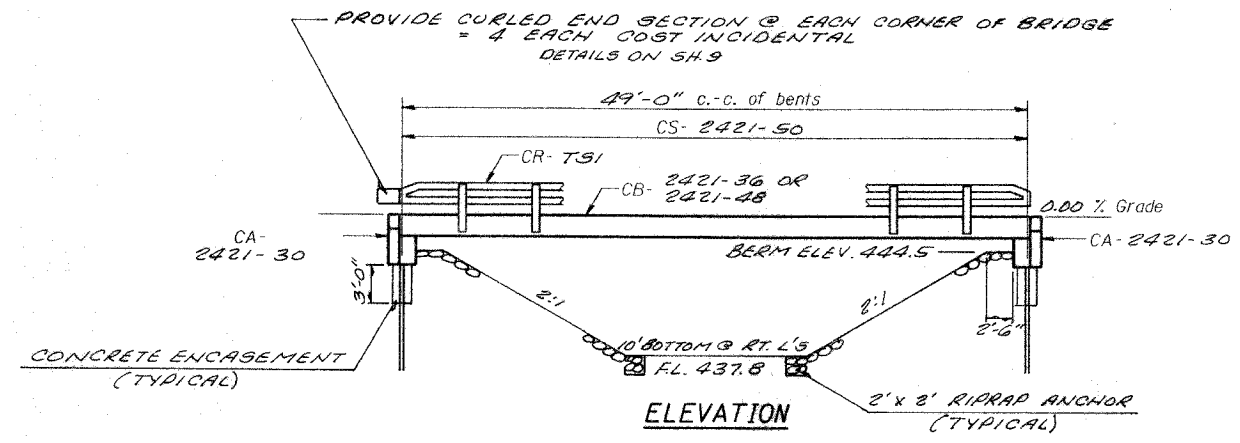


F.A.S. ROUTE NO.	SECTION	COUNTY	TOTAL SHEETS	SHEET
03-07118-00-BR	WAYNE	11	4	
STA.	TO STA.			
FED. ROAD DIST. NO.	ILLINOIS	PROJECT BR05-191(51)		

B.M.
Existing Structure
Salvage



STONE DUMPED RIPRAP CL. A4 = 80 TON
12" MINIMUM THICKNESS

GENERAL NOTES

- The Contractor shall drive 1 test piles, as specified, in a permanent location as directed by the Engineer before ordering the remaining piles.
- See Special Provisions for boring logs.
- A Calcium Nitrite Corrosion Inhibitor, as covered in the Special Provisions, shall be used in the concrete for precast prestressed concrete deck beams.

TOTAL BILL OF MATERIAL

Item	Unit	Super	Sub.		Total
			Piers	Abuts.	
Removal of Existing Structures	Each				1
Bituminous Concrete Surface Course, Class 1	Ton				
Waterproofing Membrane System	Sq. Yd.				
Concrete Structures	Cu. Yd.			20.2	20.2
Precast Prestressed Concrete Deck Beams (21" Depth)	Sq. Ft.	1200			1200
Steel Bridge Rail, Type SM	Foot				
Steel Railing, Type S-1	Foot	100			100
Reinforcement Bars	Pound			2200	2200
Furnishing STEEL HP 10 X 42	Foot			455	455
Driving STEEL PILES	Foot			455	455
Test Piles STEEL HP 10 X 42	Each				1
Name Plates	Each			1	1
Concrete Encasement	Cu. Yd.			2.1	2.1
STONE DUMPED RIPRAP CL. A4	TON				80

NOTE:
The Article or Section numbers referencing the Standard Specifications for Road and Bridge Construction as shown on the standard bridge plan sheets included with the contract plans should be interpreted as referring to the current edition of the Standard Specification (Adopted January 1, 1997) as shown in the "Article/Section No. Reference Table".

ARTICLE/SECTION NO.	REFERENCE TABLE
Previous No.	Current No.
504.06	504.06
505.04	505.04
706.05	1006.05
706.32	1006.32
760.07	1080.07

PILE DATA (2-ABUTS.)

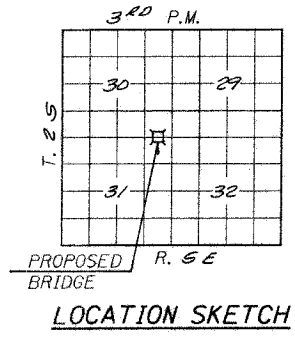
Type STEEL HP 10 X 42
Capacity 56 Tons
Estimated Length 65 Feet
Number Required 8 (Includes 1 Test Pile located in Bent #1 WEST ABUT.)

STATION 4+01
PROJECT NO. BR05-191(51)
SEC. 03-07118-00-BR BUILT 20

WAYNE COUNTY
LOADING HS20
STR. NO. 096-3440

LETTERING FOR NAME PLATE

Locate Name Plate at S.W. Corner of Bridge (See Std. CN)



INDEX OF SHEETS

- General Plan & Elevation
- Standard CS- 2421-50R
- Standard CB- 2421-36
- Standard CB- 2421-48
- Standard CA- 2421-30
- Standard CR- TSI
- Standard CX- 1
- Standard

DESIGN SPECIFICATIONS

2002 AASHTO STANDARD SPECIFICATIONS-17TH ED.
HS20-44 Loading, Load Factor Design.

WATERWAY INFORMATION

Drainage Area = 2.98 SQ. MI. Low Grade Elev. = 443.2 @ Sta. 7+00									
Flood	Freq. Yr.	Q C.F.S.	Opening Sq. Ft.		Nat. H.W.E.	Head - Ft.		Headwater El.	
			Exist.	Prop.	Exist.	Prop.	Exist.	Prop.	
Design	15	1005	88,187	158	444.5	0	0.1	444.5	444.6
Base	100	1642	88,187	774	444.9	0	0.1	444.9	445.0
Overlapping									
Max. Calc.	500	2172			445.2		0.2		445.4

GENERAL PLAN & ELEVATION

T.R. ROUTE 587
OVER TRIB. TO FOUR MILE CREEK
SECTION 03-07118-00-BR
WAYNE COUNTY
STATION 4+01