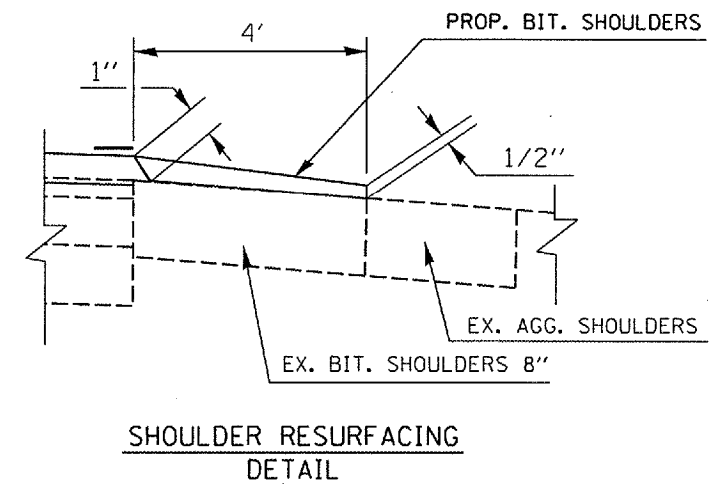
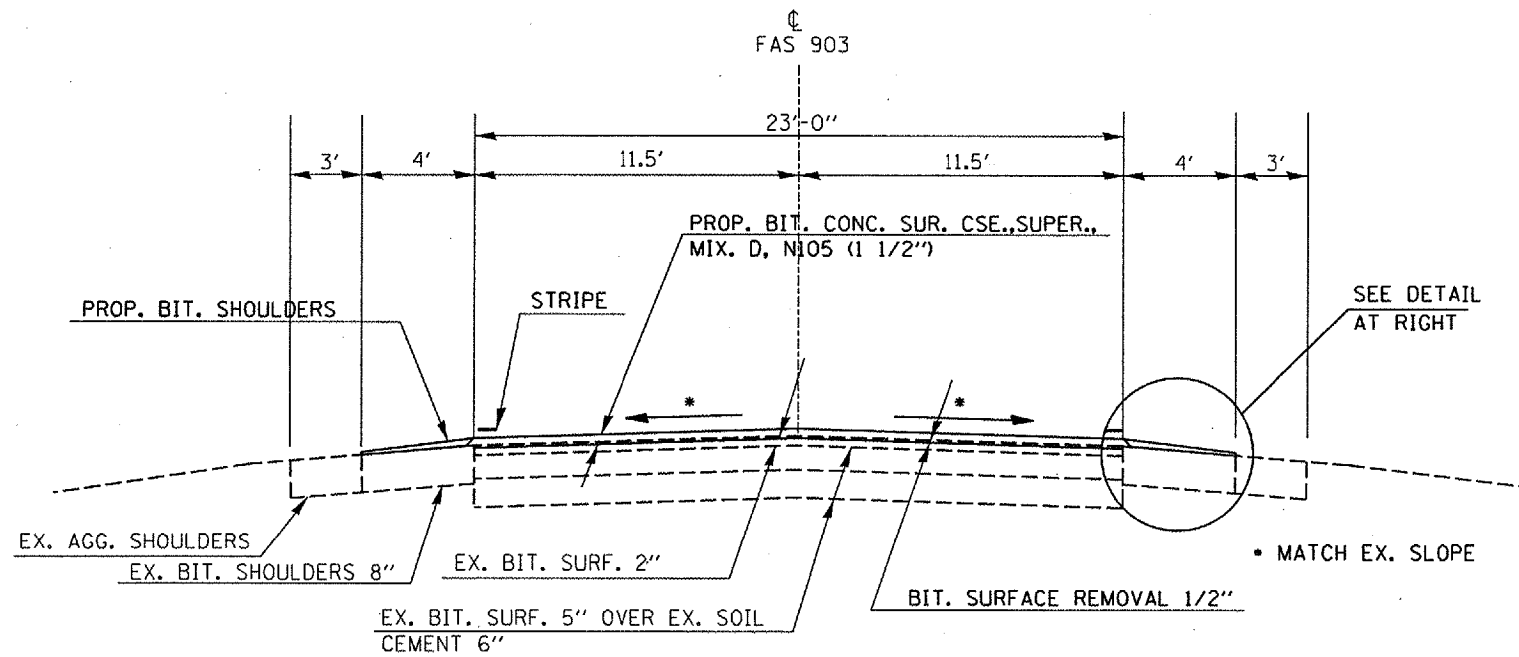


SECTION	COUNTY	TOTAL SHEETS	SHEET NO.
		17	5
STA. _____ TO STA. _____			
FED. ROAD DIST. NO. _____ ILLINOIS FED. AID PROJECT			

• IL 37/FAS 903
 •• D9 CONT. MAINT. FY 07-5
 ••• FRANKLIN & WILLIAMSON

TYPICAL SECTION #2
FAS 903

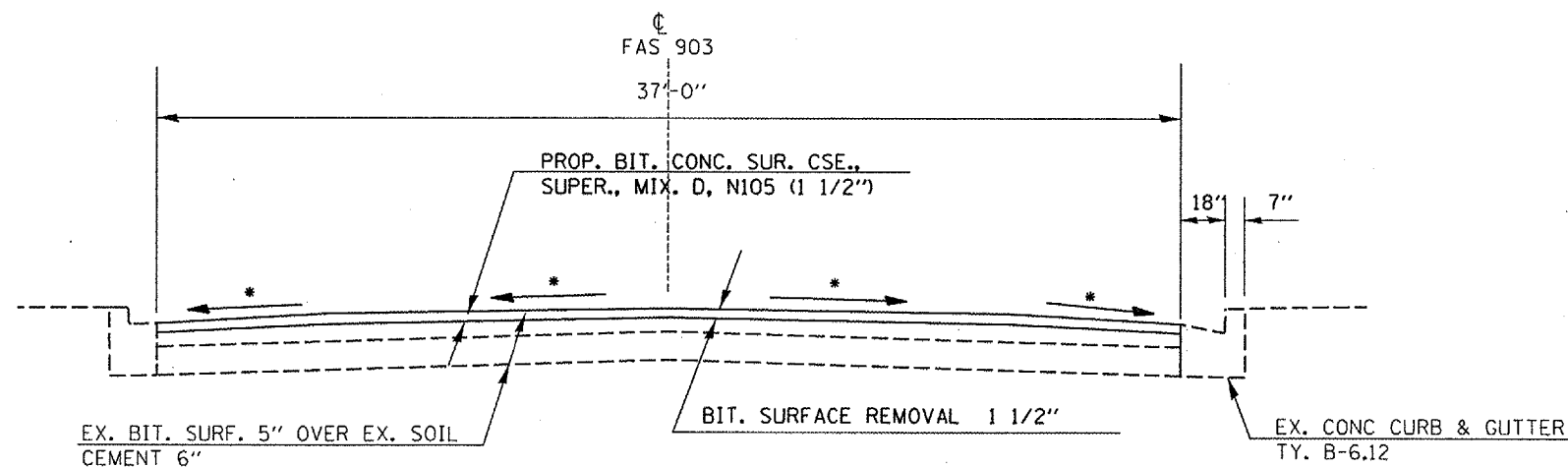


TO BE USED:
 STA. 13+55 TO STA. 37+95 (RR XING)
 STA. 39+06 (RR XING) TO STA. 53+15 (W. ABUT.)
 STA. 53+97 (E. ABUT.) TO STA. 75+30 (BUTT JT.)

PROJECT LIMITS NOTE:
 URBAN LIMITS:
 STA. -0+29.80 TO STA. 65+72.88
 RURAL LIMITS:
 STA. 65+72.88 TO STA. 75+00

CURVE TREATMENT NOTE:
 MATCH EXISTING SUPERELEVATION SLOPE ON THE FOLLOWING CURVES:
 STA. 2+51.84 TO STA. 4+37.27
 STA. 29+64.08 TO STA. 57+11.21
 STA. 60+17.70 TO STA. 73+78.91

TYPICAL SECTION #1
FAS 903



TO BE USED:
 STA. -0+29.80 TO EQ. STA. -0+00 (BK.) =
 STA. 0+00 (AH.) TO STA. 13+55

PLOT DATE = 4/28/2005
 FILE NAME = c:\projects\98279\FAS903\98279typ1.dwg
 PLOT SCALE = 1/8"=1'-0"
 USER NAME = mcorahk