

CONSTRUCTION AND SAFETY NOTES

SEQUENCE OF CONSTRUCTION

TO MINIMIZE DISRUPTIONS TO AIRPORT OPERATIONS, CONSTRUCTION OPERATIONS MUST BE CONTROLLED THROUGHOUT THE PROJECT'S DURATION AND WORK MUST BE COMPLETED EXPEDITIOUSLY. THE CONTRACTOR SHALL EXPEDITE WORK AT THOSE STAGES OR PORTIONS OF STAGES WHEN ACTIVE TAXIWAYS, APRONS, ROADWAYS OR PARKING LOTS MUST BE CLOSED OR REDUCED IN SIZE TO MINIMIZE THE LENGTH OF TIME THAT AIRPORT OPERATIONS ARE RESTRICTED.

TEMPORARY BARRICADES ON AIRFIELD

THE PROJECT WILL ALSO REQUIRE THE OCCASIONAL, TEMPORARY CLOSING OF SEGMENTS OF ACTIVE TAXIWAYS. AIRFIELD BARRICADES WILL BE REQUIRED FOR ALL TAXIWAY CLOSURES. TO MINIMIZE DISRUPTION TO AIRCRAFT OPERATIONS ASSOCIATED WITH THESE REQUIREMENTS, CONSTRUCTION WORK MUST BE COMPLETED EXPEDITIOUSLY. AT NO TIME SHALL MORE THAN ONE TAXIWAY BE CLOSED TO AIRCRAFT TRAFFIC.

OPEN TRENCHES, EXCAVATIONS AND STOCKPILED MATERIAL AT THE CONSTRUCTION SITE SHALL ALSO BE DELINEATED WITH THE USE OF BARRICADES DURING HOURS OF RESTRICTED VISIBILITY AND/OR DARKNESS.

IT WILL BE THE CONTRACTOR'S RESPONSIBILITY TO FURNISH, PLACE AND MAINTAIN BARRICADES AS SHOWN IN THE SAFETY PLAN, AND DETAIL A, THIS SHEET, AND AS DIRECTED BY THE RESIDENT ENGINEER AND AIRPORT OWNER. THE COST OF THESE ITEMS, AND THEIR MAINTENANCE, IS TO BE INCIDENTAL TO THE CONTRACT.

AIRFIELD OPERATIONAL SAFETY DURING CONSTRUCTION

ALL CONSTRUCTION TRAFFIC AND PERSONNEL SHALL REMAIN WITHIN THE CONSTRUCTION LIMIT LINE SHOWN ON THE STAGING PLAN FOR THE STAGE CURRENTLY UNDER CONSTRUCTION. CONTRACTOR'S PERSONNEL AND EQUIPMENT MUST REMAIN AT LEAST 125 FEET FROM THE CENTERLINE OF ACTIVE RUNWAYS, 700 FEET FROM THE END OF ACTIVE RUNWAYS (500 FEET IF STAGED CONSTRUCTION DISPLACEMENT IS IMPLEMENTED), 50 FEET FROM THE CENTERLINE OF ACTIVE TAXIWAYS, AND 10 FEET FROM THE EDGE OF ACTIVE APRONS.

WHEN IT IS NECESSARY FOR CONSTRUCTION VEHICLES TO OPERATE ON OR WITHIN THESE LIMITS, THE RUNWAY, TAXIWAYS OR APRON MUST BE CLOSED. THE CONTRACTOR WILL PROVIDE POSITIVE CONTROL OF CONSTRUCTION VEHICLES USING RADIO-EQUIPPED FLAGGERS. ALL CONTRACTOR'S EQUIPMENT USED IN ACTIVE AIRPORT OPERATIONS AREAS SHALL BE EQUIPPED WITH A FAA-STANDARD FLAG, AS REFERENCED IN FAA AC 150/5370-2, CURRENT ISSUE. AIRCRAFT SHALL HAVE THE RIGHT-OF-WAY. CONSTRUCTION VEHICLES SHALL NOT CROSS AN ACTIVE RUNWAY. THE COST OF ALL TRAFFIC CONTROL, BOTH WITHIN AND OUTSIDE OF AIRPORT OPERATIONS AREAS, IS TO BE INCIDENTAL TO THE CONTRACT.

WHEN NOT IN USE AND DURING NONWORKING HOURS, CONTRACTOR'S EQUIPMENT SHALL BE PARKED WITHIN THE CONTRACTOR'S EQUIPMENT STORAGE AND PARKING AREAS. THE EQUIPMENT STORAGE AND PARKING AREAS ARE TO BE LOCATED AS SHOWN ON THE STAGING PLAN. THE CONTRACTOR WILL BE RESPONSIBLE FOR MAINTAINING THE CONSTRUCTION ENTRANCE IN GOOD CONDITION. THE COST OF MAINTAINING THE CONSTRUCTION ENTRANCE IS TO BE INCIDENTAL TO THE CONTRACT.

AT NO TIME SHALL THE CONTRACTOR OPERATE OR PARK EQUIPMENT SO AS TO OBSTRUCT AN ACTIVE RUNWAY APPROACH SURFACE.

BEFORE REOPENING TEMPORARILY CLOSED RUNWAYS, TAXIWAYS OR ROADWAYS, THE CONTRACTOR SHALL INSPECT AND CLEAN, AS NECESSARY, THE PAVEMENT TO ASSURE THAT NO MATERIALS OR OBJECTS THAT MAY DAMAGE AIRCRAFT OR VEHICLES REMAIN. ANY REQUIRED CLEANING SHALL BE TO THE SATISFACTION OF THE RESIDENT ENGINEER AND AIRPORT OWNER AND IS INCIDENTAL TO THE CONTRACT.

VEHICLE SAFETY DURING CONSTRUCTION

TEMPORARY BARRICADES SHALL BE PLACED BY THE CONTRACTOR TO DELINEATE SEGMENTS OF ROADWAYS AND AUTO PARKING AREAS CLOSED TO VEHICLE USE DURING CONSTRUCTION. BARRICADES SHALL BE PLACED ON THE PAVEMENT WHEN WORKING WITHIN 15 FEET OF THE PAVEMENT EDGE. THE COST OF ERECTING, MAINTAINING AND REMOVING THE BARRICADES SHALL BE INCIDENTAL TO THE CONTRACT.

NOTIFICATIONS BY CONTRACTOR

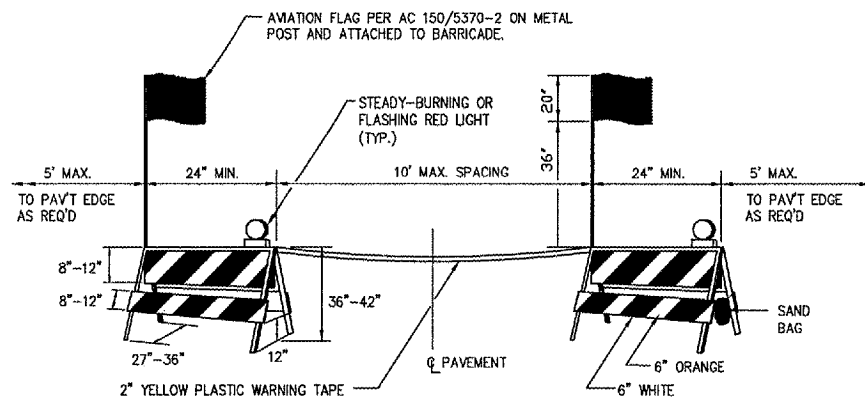
THE CONTRACTOR SHALL NOTIFY THE RESIDENT ENGINEER AND AIRPORT OWNER 7 DAYS IN ADVANCE OF THE CONTRACTOR'S CLOSING OF ACTIVE RUNWAYS, TAXIWAYS AND APRONS. THE DATE, TIME AND SCHEDULED DURATION OF THE CLOSING MUST BE APPROVED BY THE RESIDENT ENGINEER AND THE AIRPORT OWNER. THE CONTRACTOR SHALL NOTIFY THE RESIDENT ENGINEER AND AIRPORT OWNER 72 HOURS IN ADVANCE OF THE CONTRACTOR'S CLOSING OF OTHER ACTIVE ROADWAYS, AIRFIELD OR ROADWAY LIGHTING CIRCUITS, OR OTHER AIRPORT FACILITIES.

CONTRACTOR'S USE OF SITE

THE CONTRACTOR SHALL NOT OPERATE WITHIN, ENCROACH UPON OR OBSTRUCT AIRPORT OPERATIONAL AREAS, INCLUDING ACTIVE RUNWAY, TAXIWAYS AND APRON SAFETY AREAS, OBJECT AND OBSTACLE FREE ZONES, RUNWAY PROTECTION ZONES AND AIRPORT IMAGINARY SURFACES AS DEFINED IN FEDERAL AVIATION REGULATIONS (FAR) PART 77, "OBJECTS AFFECTING NAVIGABLE AIRSPACE".

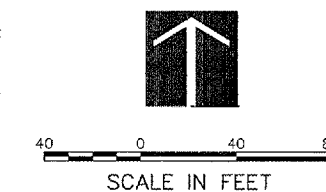
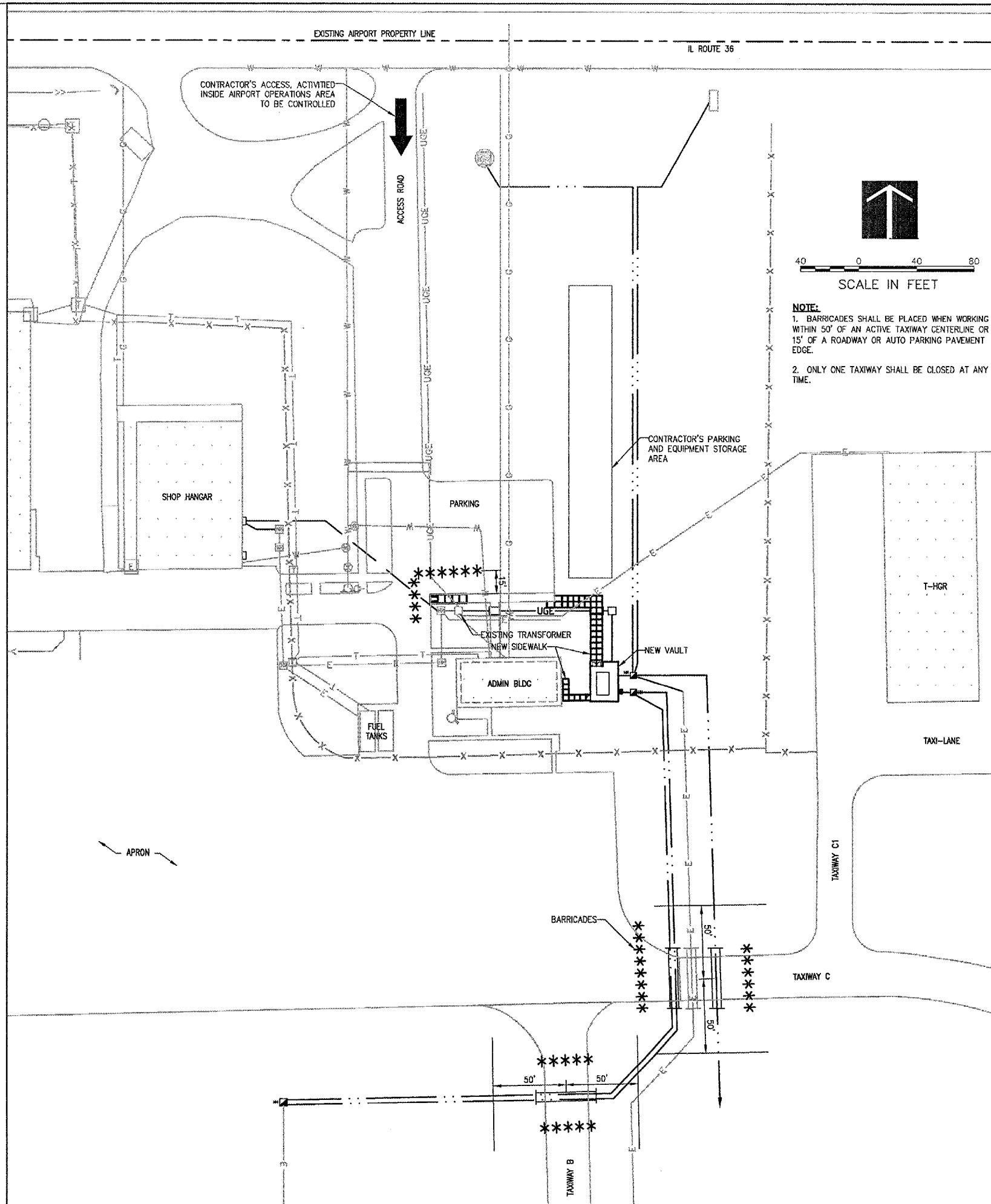
UTILITY OUTAGES AND SHUTDOWNS

THE CONTRACTOR SHALL PROVIDE 72 HOURS PRIOR NOTICE OF ANY OUTAGES OR SHUTDOWNS TO THE OWNER AND THE AGENCY OWNING THE AFFECTED UTILITY. THE CONTRACTOR SHALL PROVIDE ANY TEMPORARY CONNECTIONS OR OTHER MEASURES AS MAY BE REQUIRED TO MAINTAIN SERVICE AS MAY BE REQUIRED BY THE OWNING AGENCY AT NO COST TO THE OWNER.



BARRICADES ARE TO BE OF IDOT TYPE I. A STEADY-BURNING OR FLASHING RED LIGHT FACING PASSING TRAFFIC IS TO BE MOUNTED ABOVE THE TOP OF EACH BARRICADE FRAME. THE BARRICADE IS TO BE STABILIZED FROM WIND BY SANDBAGS PLACED ON THE FRAME OR OTHER METHODS APPROVED BY THE RESIDENT ENGINEER. NO PART OF THE REFLECTORIZED PORTION OF THE BARRICADE IS TO BE OBSTRUCTED IN ANY MANNER. COST OF FURNISHING, INSTALLING, RELOCATING, MAINTAINING AND REMOVING BARRICADES IS TO BE INCIDENTAL TO THE CONTRACT.

**DETAIL A
PAVEMENT BARRICADES**



NOTE:
1. BARRICADES SHALL BE PLACED WHEN WORKING WITHIN 50' OF AN ACTIVE TAXIWAY CENTERLINE OR 15' OF A ROADWAY OR AUTO PARKING PAVEMENT EDGE.
2. ONLY ONE TAXIWAY SHALL BE CLOSED AT ANY TIME.

D1022



HANSON PROFESSIONAL SERVICES INC.

815 Commerce Drive Suite 200
Oak Brook, Illinois 60523
Telephone: 630.990.3800
Fax: 630.990.3801



CITY OF DIXON, ILLINOIS

Post Office Box 386
Dixon, Illinois 61021
Telephone: 815.288.1485

DIXON MUNICIPAL AIRPORT
CHARLES R. WALGREEN FIELD

CONSTRUCT REPLACEMENT
AIRFIELD ELECTRICAL VAULT

AIP PROJECT NO. 3-17-0036-B8
IDA PROJECT NO. C73-3548

No.	Drawing Issue Description	Date	By

Date
JUNE 23, 2006

Sheet Title

SAFETY PLAN AND NOTES

843-05C8010
Project Number
LDH 06/20/06
Layout By Date
LDH 06/20/06
Designed By Date
RMH 06/23/06
Reviewed By Date

Drawn By

G4

SHEET 4 OF 36
Sheet No.

I:\05\065\06045\0608010\DRAWINGS\04-SAFETY PLAN\DWG JUN 23, 2006 1:43PM LDH