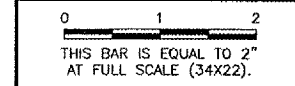


REVISIONS		
NUMBER	BY	DATE

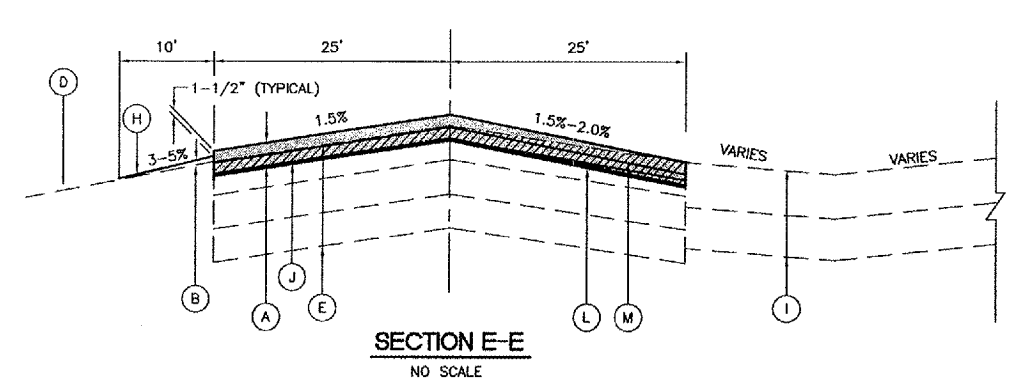
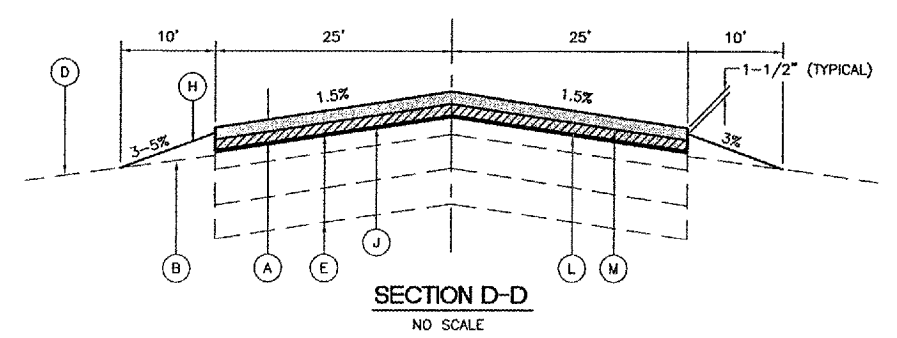
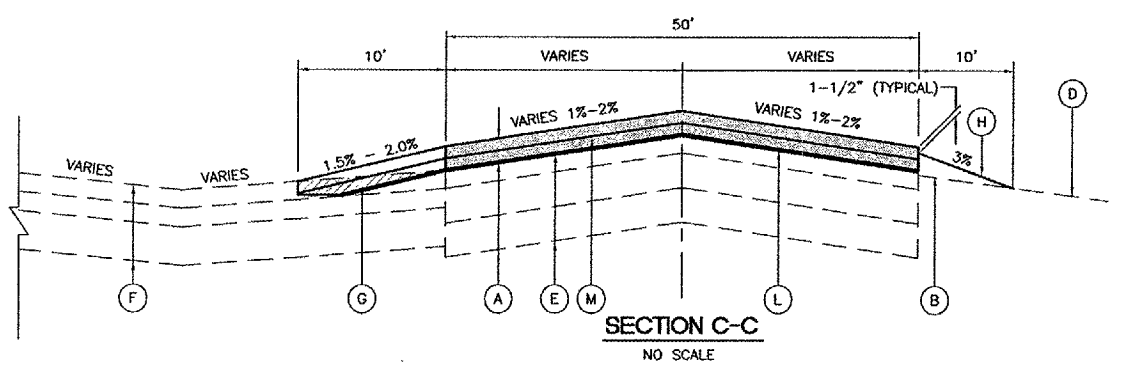
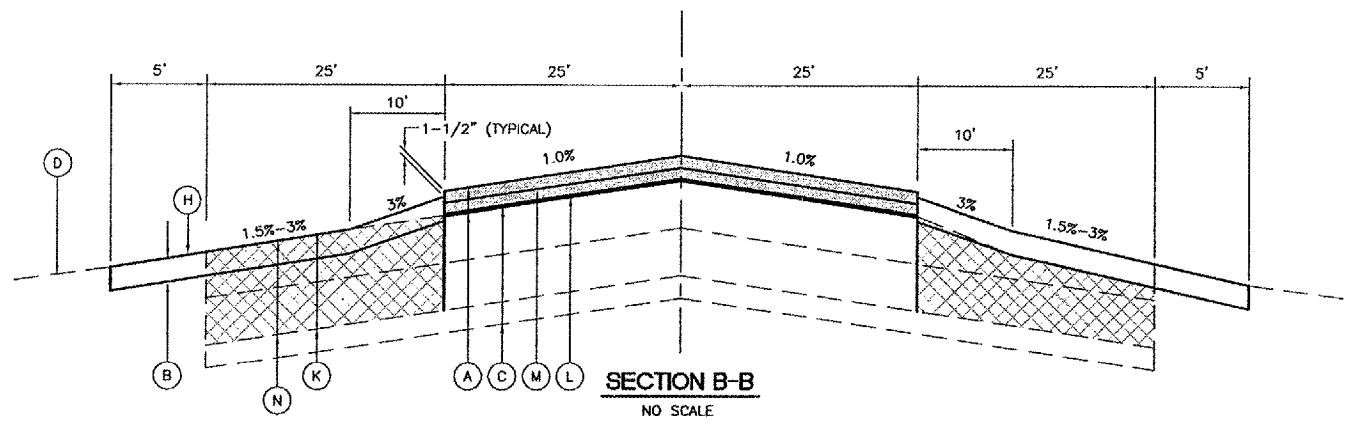
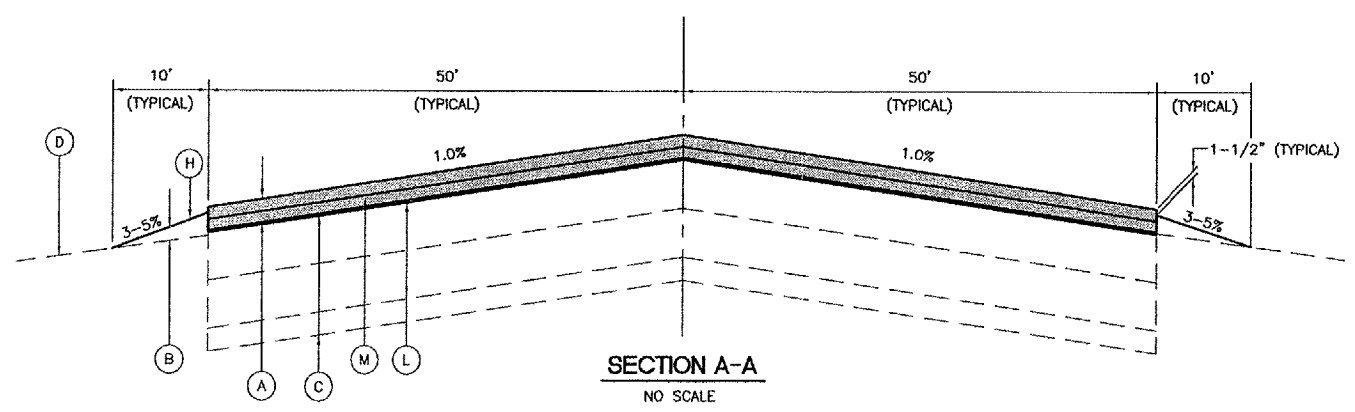


**DUPAGE AIRPORT
 WEST CHICAGO, ILLINOIS
 REHABILITATE TAXIWAYS ALPHA AND CHARLIE
 TYPICAL SECTIONS**

© Copyright CMT, Inc.
CMT
 CRAMFORD, MURPHY & TILLY, INC.
 CONSULTING ENGINEERS
 License No. 184-000613

DESIGN BY:	JRL
DRAWN BY:	JRO
CHECKED BY:	CAL
APPROVED BY:	DLP
DATE:	06/09/06
JOB No:	04257-05

ILLINOIS PROJECT: DPA-3454
 A.I.P. PROJECT: 3-17-0017-B19



LEGEND

- (A) NEW 2" BITUMINOUS SURFACE COURSE OVERLAY (401)
NEW 2" AVERAGE BITUMINOUS SURFACE LEVELING COURSE (401)
- (B) NEW TOPSOIL PLACEMENT (FROM OFF-SITE)(905)
- (C) EXISTING TAXIWAY C PAVEMENT
6" BITUMINOUS PAVEMENT
6" P.C.C. PAVEMENT
AGGREGATE BASE COURSE
- (D) EXISTING GROUNDLINE
- (E) EXISTING TAXIWAY A PAVEMENT
3" BITUMINOUS PAVEMENT
6" PCC PAVEMENT
AGGREGATE BASE COURSE
- (F) EXISTING BITUMINOUS APRON PAVEMENT
- (G) NEW BUTT JOINT CONSTRUCTION (401)
- (H) NEW SEED (901) AND SOIL GUARD (800)
- (I) EXISTING CONCRETE APRON
- (J) VARIABLE DEPTH (0"-3") BITUMINOUS PAVEMENT MILLING (401)
- (K) NEW FULL DEPTH PAVEMENT REMOVAL
(PAID FOR AS AR401900 REMOVE BITUMINOUS PAVEMENT)
- (L) CRACK CONTROL FABRIC (201)
- (M) BITUMINOUS TACK COAT (603)
- (N) NEW SHOULDER FILL (800)

KEY MAP

