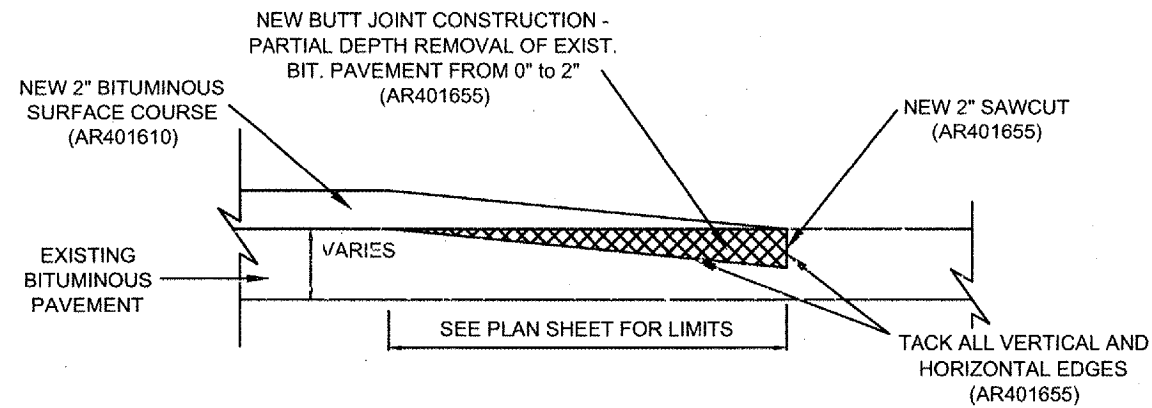


FR037

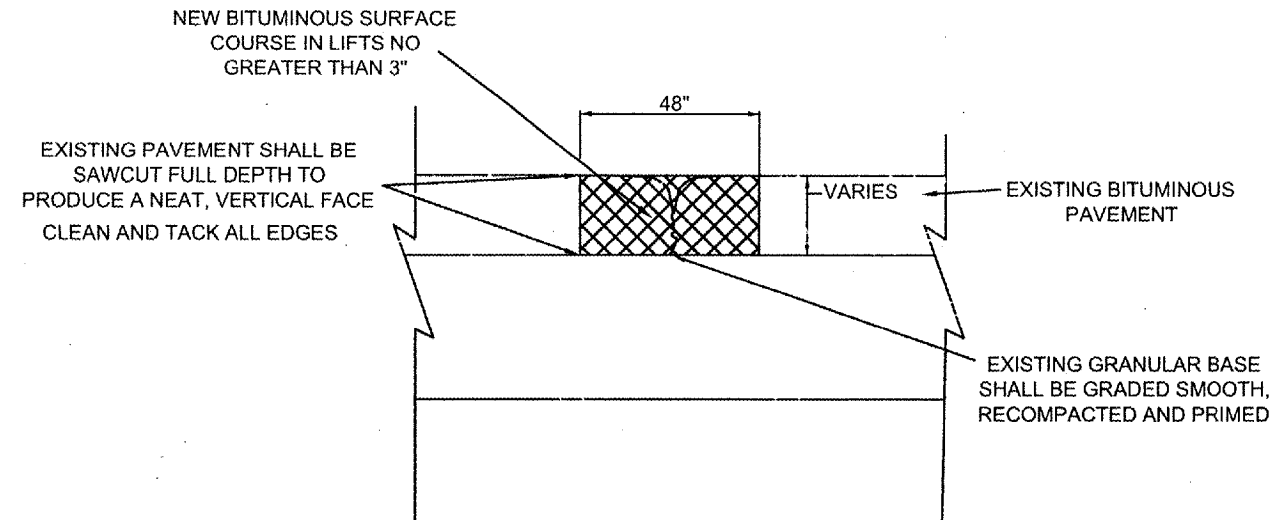


Freeport, Illinois
City of Freeport
AIP: 3-17-0045-B20
FEP-3129
Airfield Pavement
Repairs



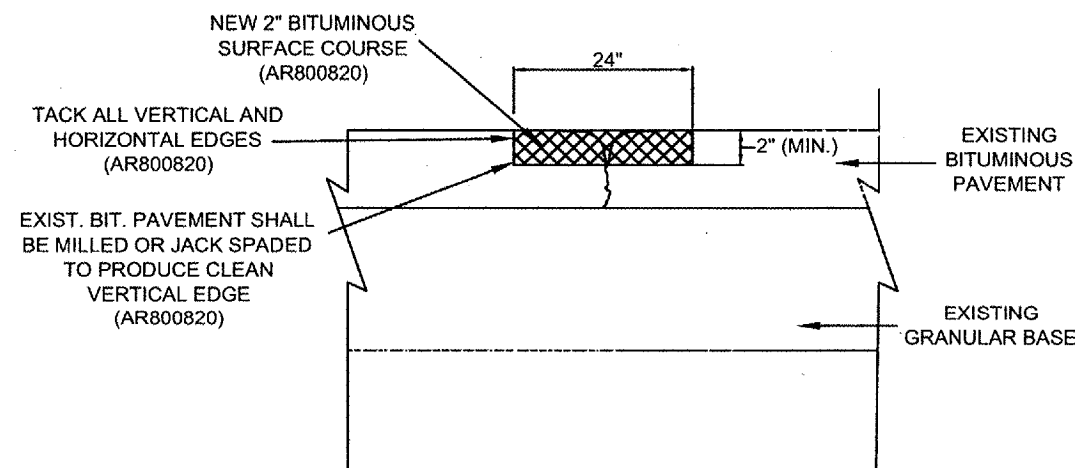
AR401655 BUTT JOINT CONSTRUCTION
 NO SCALE

(SAWCUTTING, REMOVAL AND DISPOSAL OF EXIST. PAVEMENT; TACKING VERTICAL AND HORIZONTAL EDGES SHALL BE INCIDENTAL TO THIS ITEM)



AR401910 REMOVE & REPLACE BIT. PAVEMENT
 NO SCALE

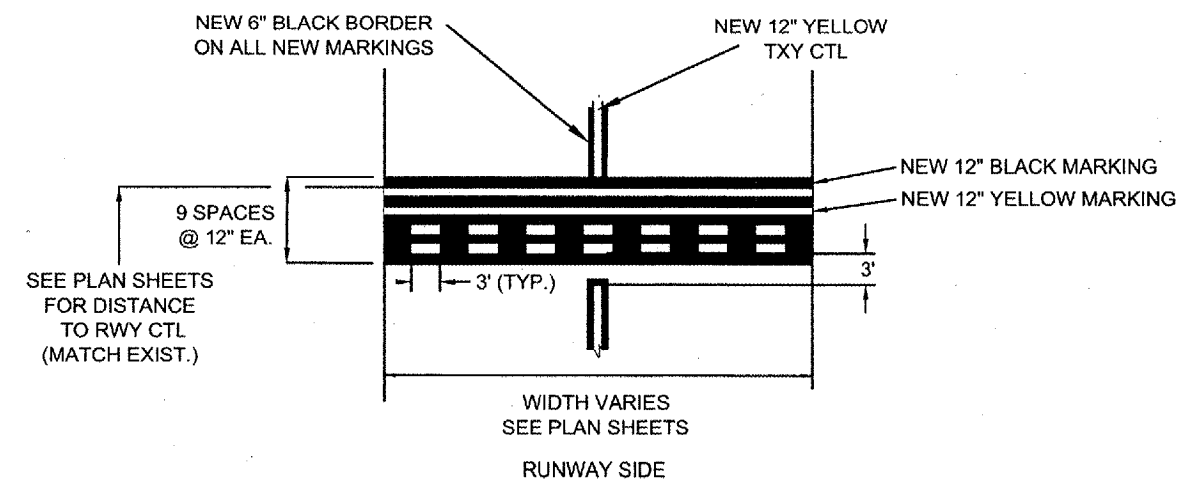
(SAWCUTTING, REMOVAL AND DISPOSAL OF EXIST. PAVEMENT; REGRADING AND RECOMPACTING OF EXIST. BASE; TACKING VERTICAL EDGES, PRIMING BASE, PLACING AND COMPACTING SURFACE COURSE SHALL BE INCIDENTAL TO THIS ITEM)



AR800820 REM. & REPL. BIT. PVMNT. (PARTIAL DEPTH)
 NO SCALE

(SAWCUTTING, REMOVAL AND DISPOSAL OF EXIST. PAVEMENT; TACKING VERTICAL AND HORIZONTAL SURFACES; PLACING AND COMPACTING SURFACE COURSE SHALL BE INCIDENTAL TO THIS ITEM)

AIRCRAFT HOLDING SIDE



RUNWAY HOLDING POSITION MARKING
 NO SCALE

NOTE: ALL TAXIWAY AND APRON MARKINGS SHALL BE REPLACED WITHIN THE PROJECT WORK LIMITS SHOWN.

MISCELLANEOUS DETAILS -1

Revisions		
No.	Date	Description

0 1
 THIS BAR IS EQUAL TO 1" AT FULL SCALE (17 X 11).

DESIGN BY: CMT- RFD
 DRAWN BY: CMT- RFD
 CHECKED BY: CMT- RFD
 APPROVED BY: JGP
 DATE: 6.9.2006
 JOB No: 06294-02-00

MISCELLANEOUS DETAILS - 1 (DTL1)