

BY	
REVISION	
DATE	

QUINCY REGIONAL AIRPORT
BALDWIN FIELD
ADAMS COUNTY, ILLINOIS

QUINCY Regional Airport
ILLINOIS

A.I.P. PROJ.: 3-17-0085-XX
ILL. PROJ.: UN-3338

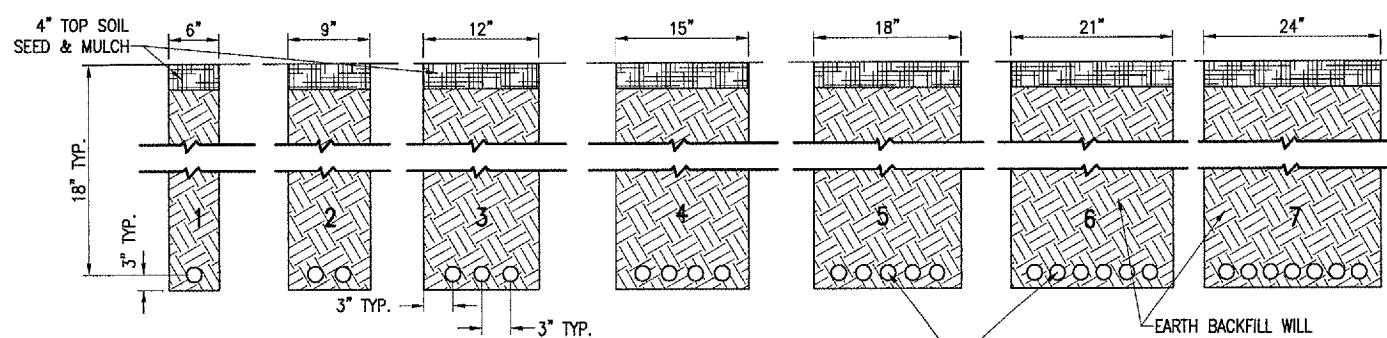
REL. Project. No.	82406TYCD_0240
File Name	R-542ELEC.DWG
Scale	N/A
Date	06/19/06
LAYOUT	RAW
DRAWN	BAK
REVIEWED	RAW
	06/19/06
	06/19/06
	07/12/06

HANSON

Hanson Professional Services Inc.
Springfield, Illinois 62703-2886
Offices Nationwide

REALIGN AND
WIDEN TAXIWAY "C"

PROPOSED
ELECTRICAL
DETAILS

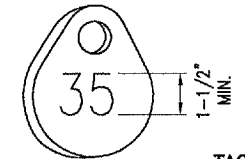
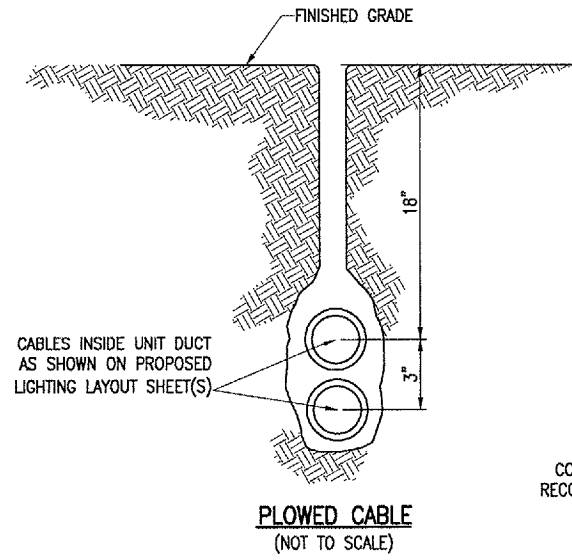


NOTES:
DETAIL NUMBERS INDICATE NO. OF CABLES.

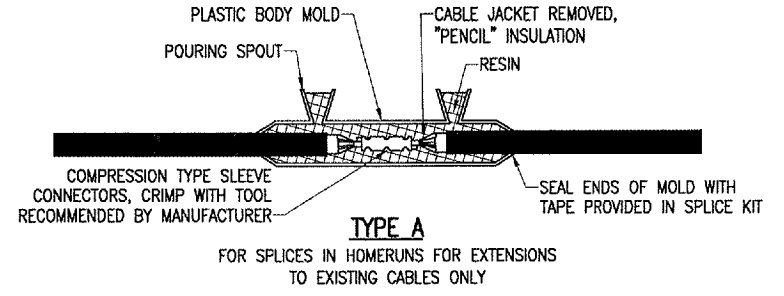
TRENCHES WITH MORE THAN SEVEN CABLES SHALL BE INCREASED 3" IN WIDTH FOR EACH ADDITIONAL CABLE; IF SPECIFIED ON PLANS TWO PARALLEL TRENCHES MAY BE CONSTRUCTED.

DEPTH OF TRENCHES SHALL BE AS SHOWN ABOVE UNLESS OTHERWISE SPECIFIED ON THE PLANS.

ALL DISTURBED SURFACES SHALL BE RESTORED TO THEIR ORIGINAL CONDITION. COST IS INCIDENTAL TO TRENCH.

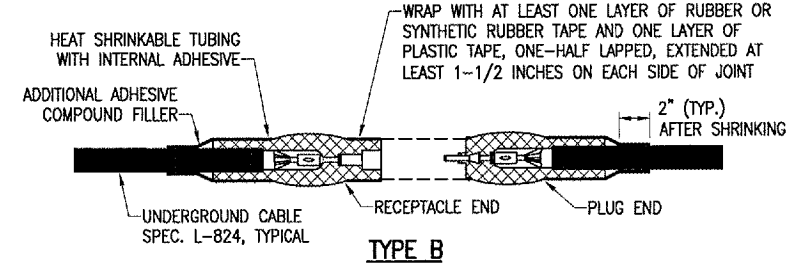


TAG DETAIL
(NOT TO SCALE)



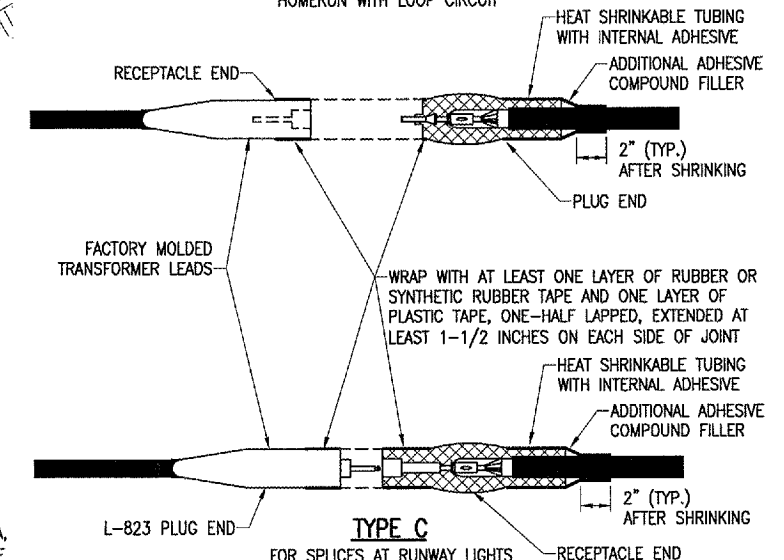
TYPE A

FOR SPLICES IN HOMERUNS FOR EXTENSIONS TO EXISTING CABLES ONLY



TYPE B

FOR SPLICES AT JUNCTION OF HOMERUN WITH LOOP CIRCUIT



TYPE C

FOR SPLICES AT RUNWAY LIGHTS

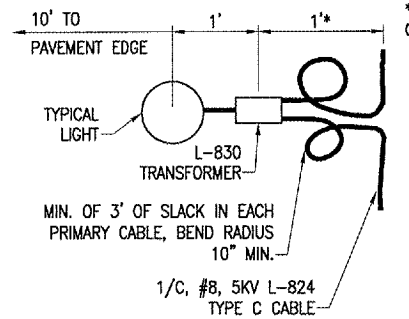
NOTES:
SEE PROPOSED LIGHTING LAYOUT SHEET(S) FOR SPLICE TYPE.

INSIDE DIAMETER OF CONNECTOR SHALL PROPERLY MATCH THE OUTSIDE DIAMETER OF CABLE.

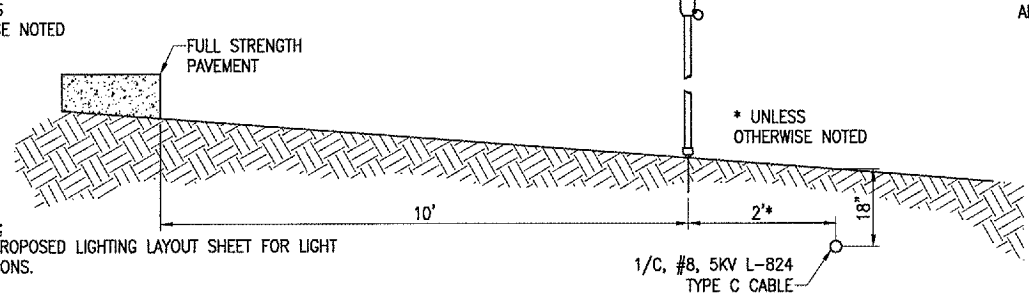
CABLE SPLICES
(NOT TO SCALE)

THE LOCATION OF UNDERGROUND UTILITIES AS INDICATED ON THE PLANS HAS BEEN OBTAINED FROM EXISTING RECORDS. NEITHER THE OWNER NOR THE ENGINEER ASSUMES ANY RESPONSIBILITY WHATSOEVER, IN RESPECT TO THE ACCURACY OR SUFFICIENCY OF THE INFORMATION AND THERE IS NO GUARANTEE, EITHER EXPRESSED OR IMPLIED, THAT THE CONDITIONS ARE REPRESENTATIVE OF THOSE TO BE ENCOUNTERED IN THE CONSTRUCTION.

CABLE TRENCHES
(NOT TO SCALE)

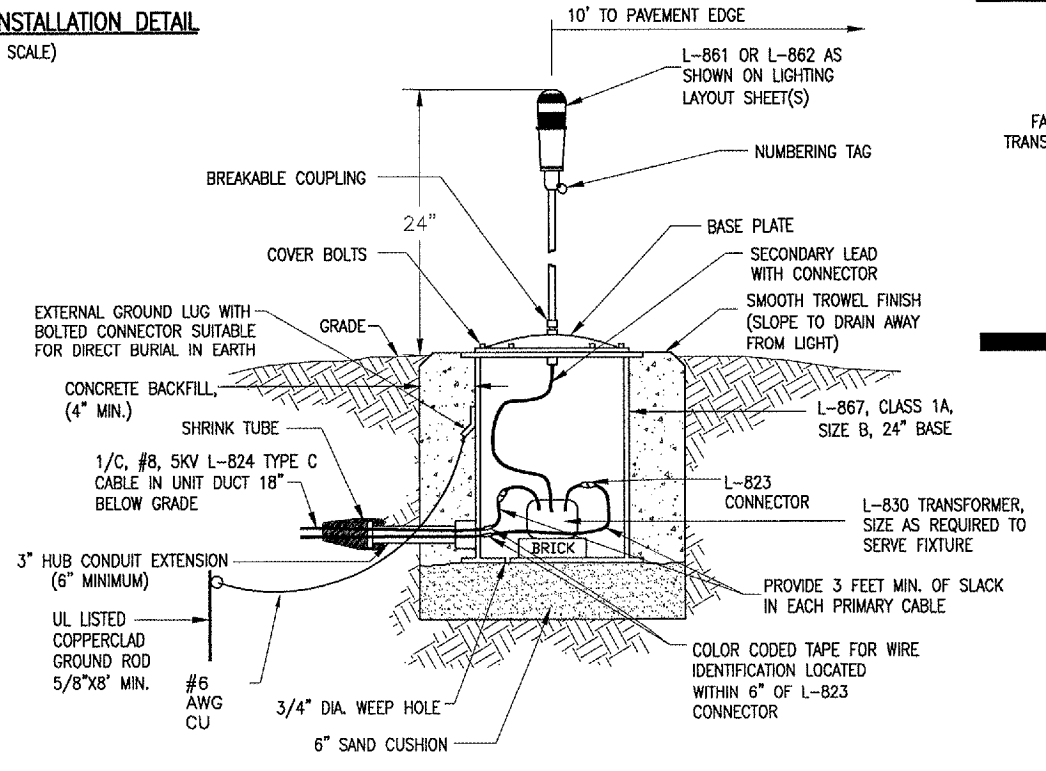


PLAN VIEW



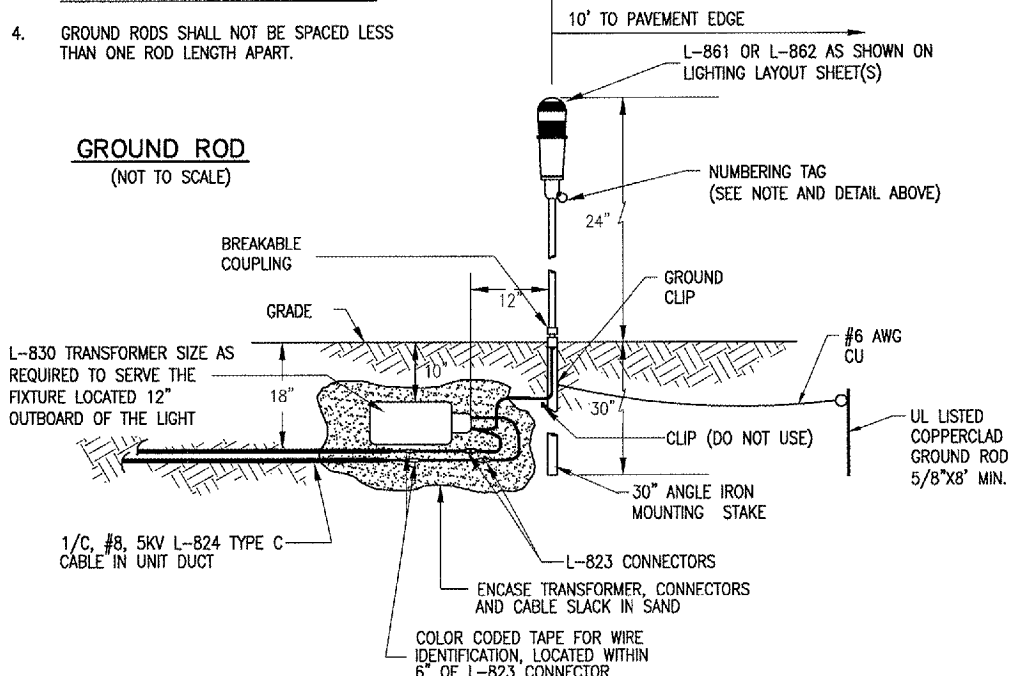
PROFILE VIEW

LIGHT AND CABLE INSTALLATION DETAIL
(NOT TO SCALE)



MEDIUM/HIGH INTENSITY LIGHT - BASE MOUNTED
(NOT TO SCALE)

GROUND ROD
(NOT TO SCALE)



MEDIUM INTENSITY LIGHT - STAKE MOUNTED
(NOT TO SCALE)

- NOTES:**
1. TYPE AND MINIMUM NUMBER OF GROUND RODS SHALL BE AS SPECIFIED ON THE PLAN.
 2. THE RESISTANCE TO GROUND OF THE GROUNDING SYSTEM SHALL NOT EXCEED 25 OHMS.
 3. COST OF GROUND RODS IS INCIDENTAL TO THE ASSOCIATED ITEMS REQUIRING GROUNDING UNLESS OTHERWISE SPECIFIED.
 4. GROUND RODS SHALL NOT BE SPACED LESS THAN ONE ROD LENGTH APART.

JUL 11, 2006 11:16 PM RAW
I:\AIRPORTS\QUINCY\82406TYCD\AIRPORT_SHEETS\R-542ELEC.DWG - ELEC. DETAILS