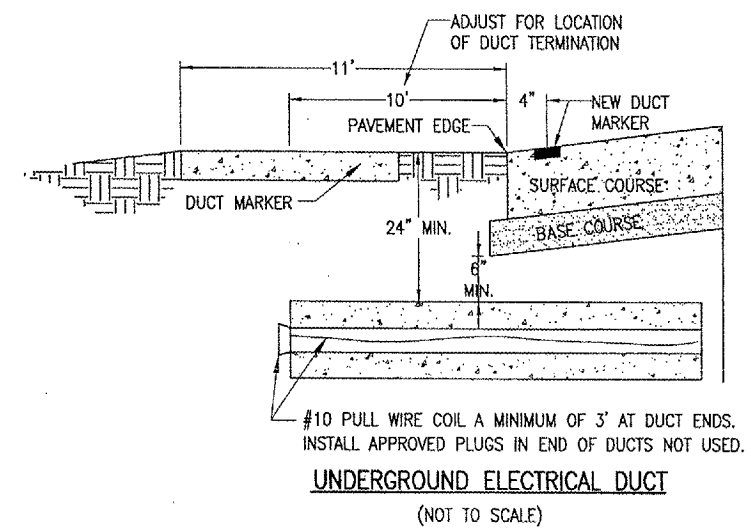
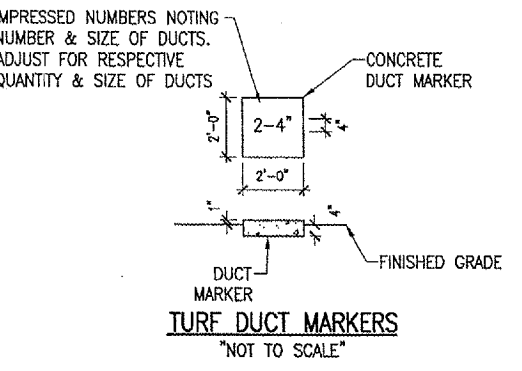
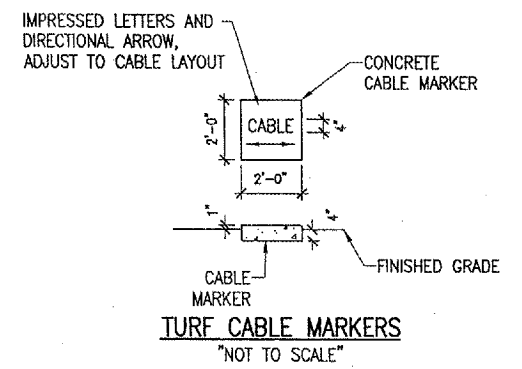
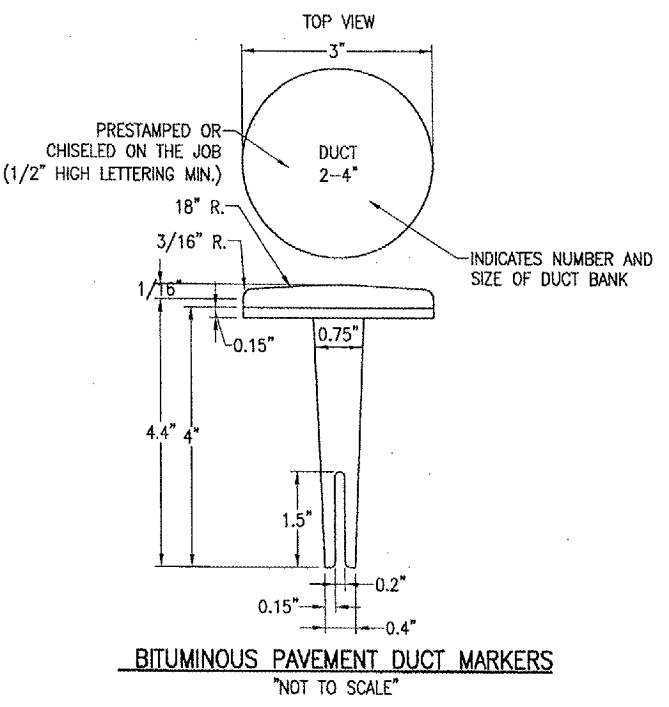
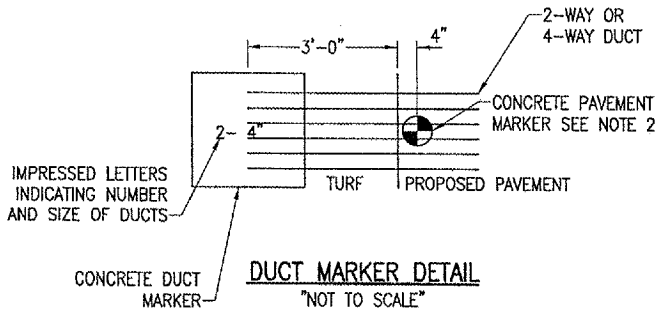
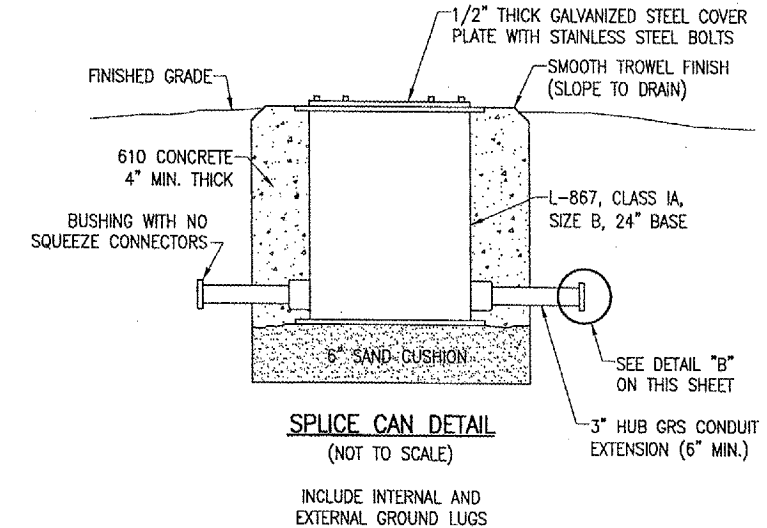


- NOTES:**
1. THE COST OF ALL TURF AND PAVEMENT DUCT MARKERS SHALL BE INCIDENTAL TO THE DUCT. THE COST OF ALL CABLE MARKERS SHALL BE INCIDENTAL TO THE CABLE.
  2. BITUMINOUS PAVEMENT DUCT MARKER AND CONCRETE DUCT MARKER TO BE PROVIDED AT EACH END OF EACH DUCT AS SHOWN ON THE LOCATION PLAN. FOR CONCRETE PAVEMENT, THE LETTER "D" SHALL BE IMPRESSED IN THE PAVEMENT INSTEAD OF THE MARKER. THE LETTER SHALL BE IMPRESSED AS DESCRIBED IN NOTE 4.
  3. CABLE MARKERS SHALL BE PLACED AT CHANGES OF DIRECTION AND EVERY 400' ALONG CABLE RUNS. CABLE MARKERS SHALL BE INSTALLED IMMEDIATELY ABOVE THE CABLE.
  4. CONCRETE CABLE MARKERS AND DUCT MARKERS SHALL HAVE LETTERS 4" HIGH, 3" WIDE WITH WIDTH OF STROKE 1/2" AND 1/4" DEEP. ALL LETTERS, NUMBERS AND ARROWS TO BE IMPRESSED.



**EXTERNALLY LIGHTED 1806 WIND CONE (SERIES CIRCUIT TYPE)**  
"NOT TO SCALE"

NOTE:  
WIND CONE SHALL ALSO INCLUDE INTERNAL LIGHTING OPTION



BY	
REVISION	
DATE	

QUINCY REGIONAL AIRPORT  
BALDWIN FIELD  
ADAMS COUNTY, ILLINOIS

QUINCY Regional Airport  
ADAMS COUNTY, ILLINOIS

IL. PROJ.: UIN-3618 A.I.P. PROJ.: 3-17-0085-XX

REV. Project No.	824-065MCD_0240
Drawn	E-502.DWG
Scale	NONE
Date	05/19/06
LAYOUT	KNL 05/16/06
DRAWN	MV 05/16/06
REVIEWED	CAH 05/18/06

**HANSON**

Hanson Professional Services Inc.  
1525 South Sixth Street  
Springfield, Illinois 62703-2986  
Offices Nationwide

INSTALL WIND CONES  
WIND CONE ELEVATION DETAIL

JUN 29, 2006 3:21 PM BAK  
 I:\AIRPORTS\QUINCY\824-065MCD\AIRPORT\SHEETS\E-502.DWG - ELEC DETAILS