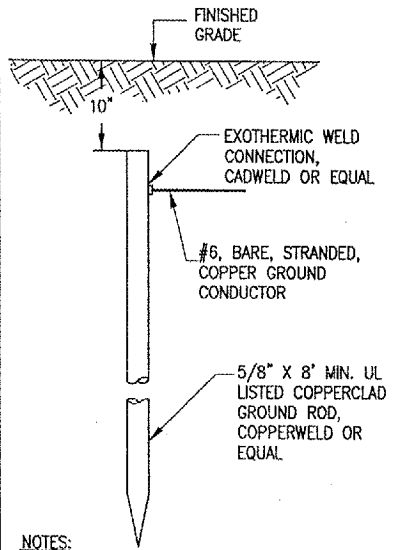


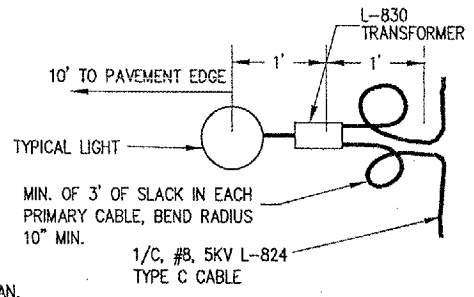
- NOTES:**
1. DETAIL NUMBERS INDICATE NO. OF CABLES.
 2. TRENCHES WITH MORE THAN SEVEN CABLES SHALL BE INCREASED 3" IN WIDTH FOR EACH ADDITIONAL CABLE; IF SPECIFIED ON PLANS TWO PARALLEL TRENCHES MAY BE CONSTRUCTED.
 3. DEPTH OF TRENCHES SHALL BE AS SHOWN ABOVE UNLESS OTHERWISE SPECIFIED ON THE PLANS.
 4. ALL DISTURBED SURFACES SHALL BE RESTORED TO THEIR ORIGINAL CONDITION. COST IS INCIDENTAL TO TRENCH. RETURNING MATERIALS AND RATES MAY BE SHOWN ON THE PLANS.

CABLE TRENCHES
(NOT TO SCALE)

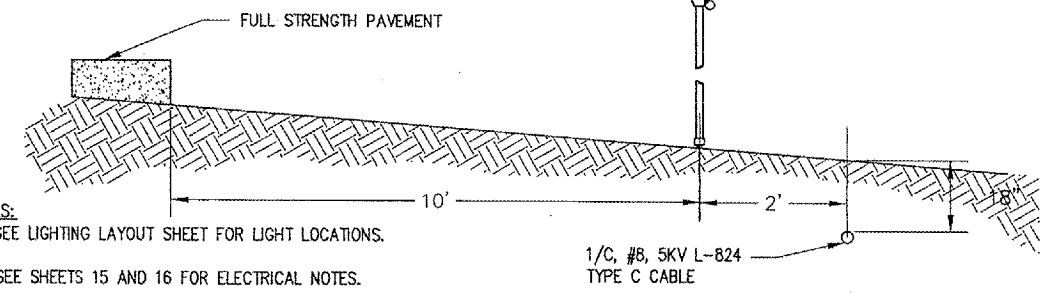


- NOTES:**
1. TYPE AND MINIMUM NUMBER OF GROUND RODS SHALL BE AS SPECIFIED ON THE PLAN.
 2. THE RESISTANCE TO GROUND OF THE GROUNDING SYSTEM SHALL NOT EXCEED 25 OHMS.
 3. COST OF GROUND RODS IS INCIDENTAL TO THE ASSOCIATED ITEMS REQUIRING GROUNDING UNLESS OTHERWISE SPECIFIED.
 4. GROUND RODS SHALL NOT BE SPACED LESS THAN ONE ROD LENGTH APART.

GROUND ROD
(NOT TO SCALE)

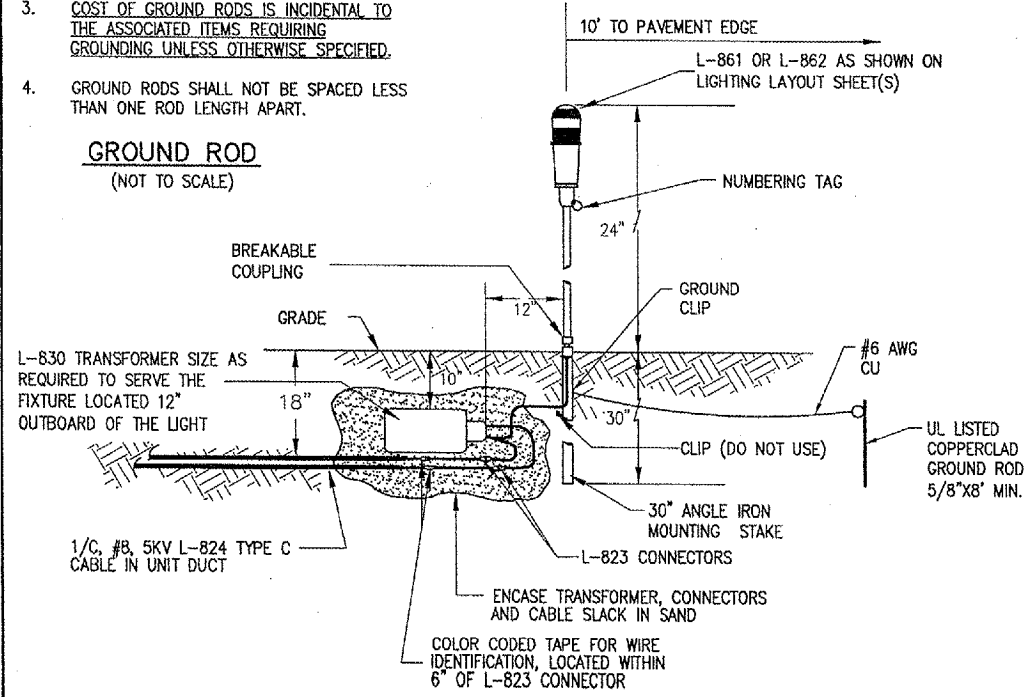


PLAN VIEW

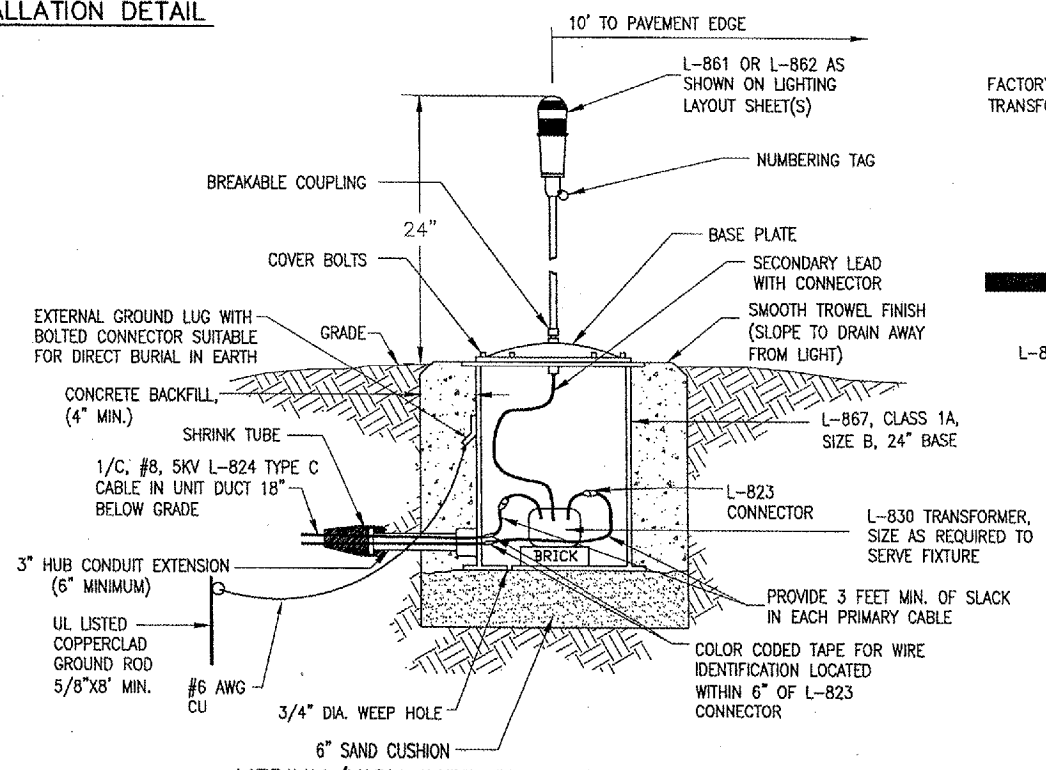


- NOTES:**
1. SEE LIGHTING LAYOUT SHEET FOR LIGHT LOCATIONS.
 2. SEE SHEETS 15 AND 16 FOR ELECTRICAL NOTES.

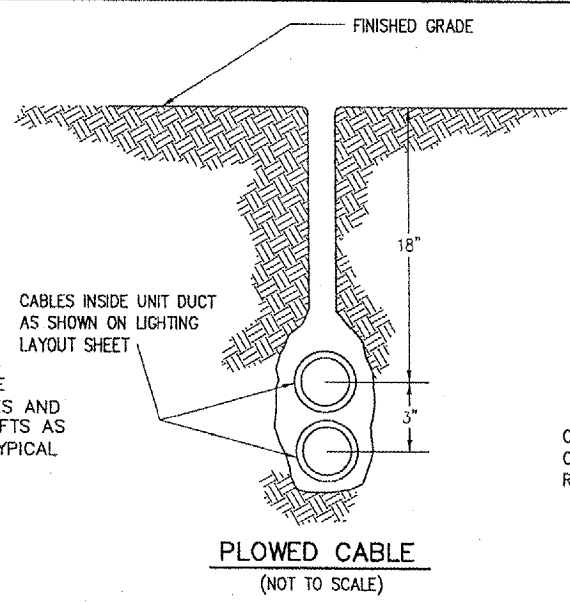
LIGHT AND CABLE INSTALLATION DETAIL
(NOT TO SCALE)



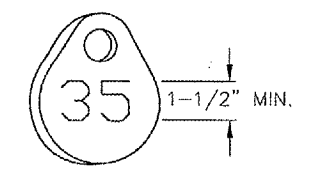
MEDIUM INTENSITY LIGHT - STAKE MOUNTED
(NOT TO SCALE)



MEDIUM/HIGH INTENSITY LIGHT - BASE MOUNTED
(NOT TO SCALE)

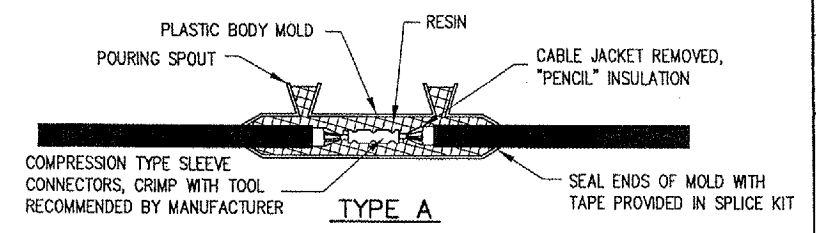


PLOVED CABLE
(NOT TO SCALE)

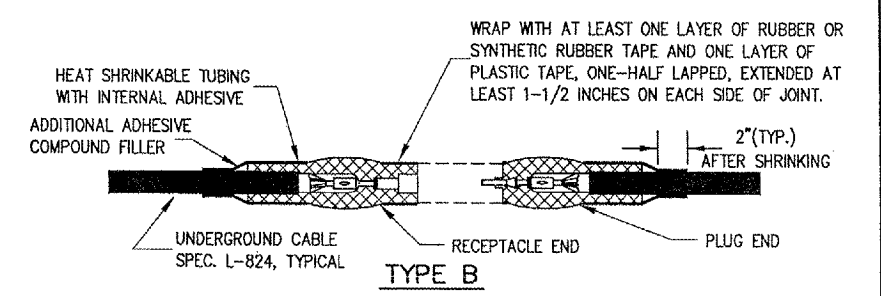


TAG DETAIL
(NOT TO SCALE)

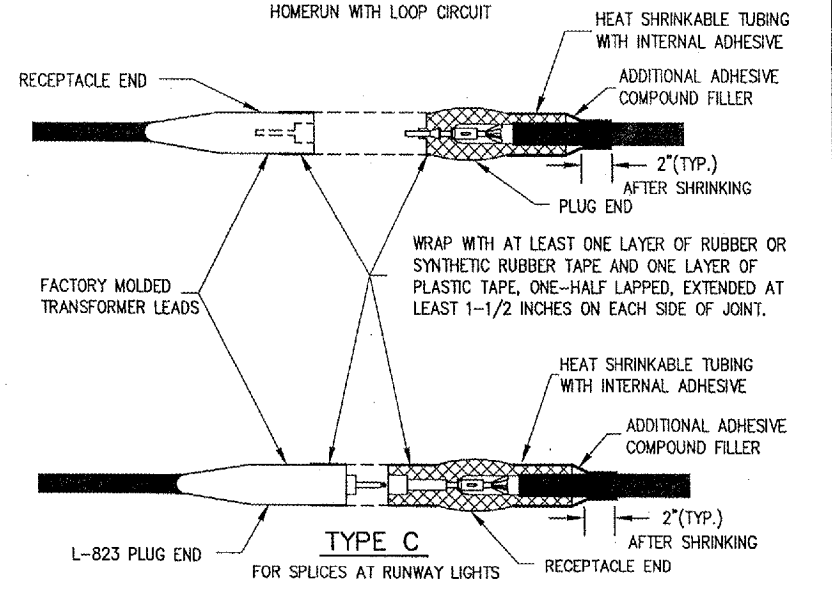
NOTE:
AFFIX NON-CORROSIVE TAG TO FIXTURE FACING RUNWAY WITH SET SCREW, WIRE TIE, OR METAL BAND. NUMERALS SHALL BE ENGRAVED FOR PERMANENT READABILITY.



TYPE A
FOR SPLICES IN HOMERUNS FOR EXTENSIONS TO EXISTING CABLES ONLY



TYPE B
FOR SPLICES AT JUNCTION OF HOMERUN WITH LOOP CIRCUIT



TYPE C
FOR SPLICES AT RUNWAY LIGHTS

NOTES:
SEE LIGHTING LAYOUT SHEET(S) FOR SPLICE TYPE.
INSIDE DIAMETER OF CONNECTOR SHALL PROPERLY MATCH THE OUTSIDE DIAMETER OF CABLE.

CABLE SPLICES
(NOT TO SCALE)

BY	
REVISION	
DATE	

QUINCY REGIONAL AIRPORT
BALDWIN FIELD
ADAMS COUNTY, ILLINOIS

Project No.	824-06SWCD.0240
Revision	R-502ELDLDWG
Scale	N/A
Date	05/19/06
LAYOUT	R.A.W. 09/02/05
DRAWN	B.A.K. 09/02/05
REVIEWED	C.A.H. 05/19/06

HANSON
Hanson Professional Services Inc.
1525 South Sixth Street
Springfield, Illinois 62703-2996
Offices Nationwide

INSTALL
WIND CONES
ELECTRICAL DETAILS

JUN 29 2006 3:23 PM BAK L:\AIRPORTS\QUINCY\824-06SWCD\AIRPORT_SHEETS\R-502ELDLDWG - ELEC. DETAILS