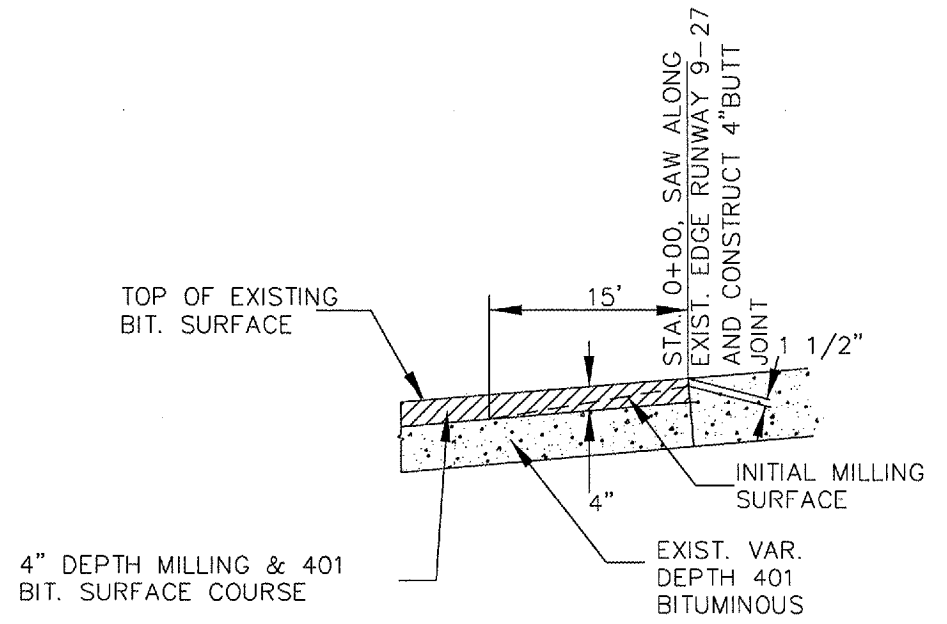
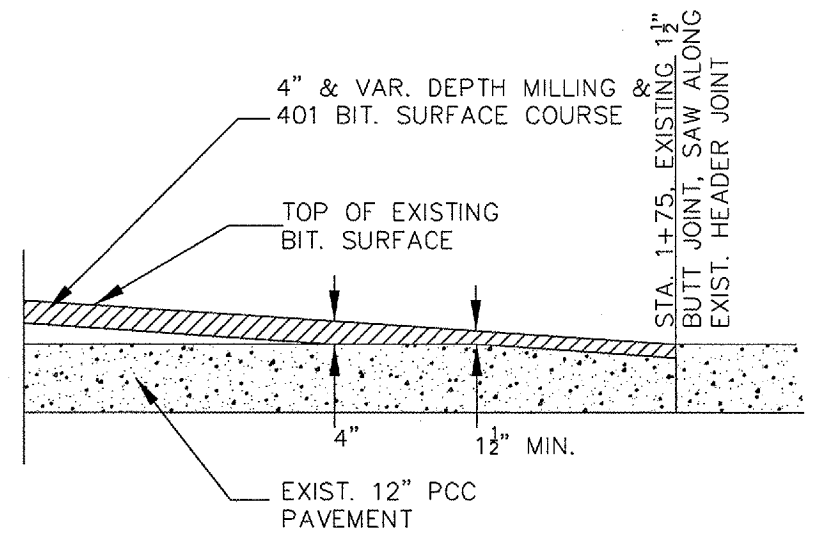


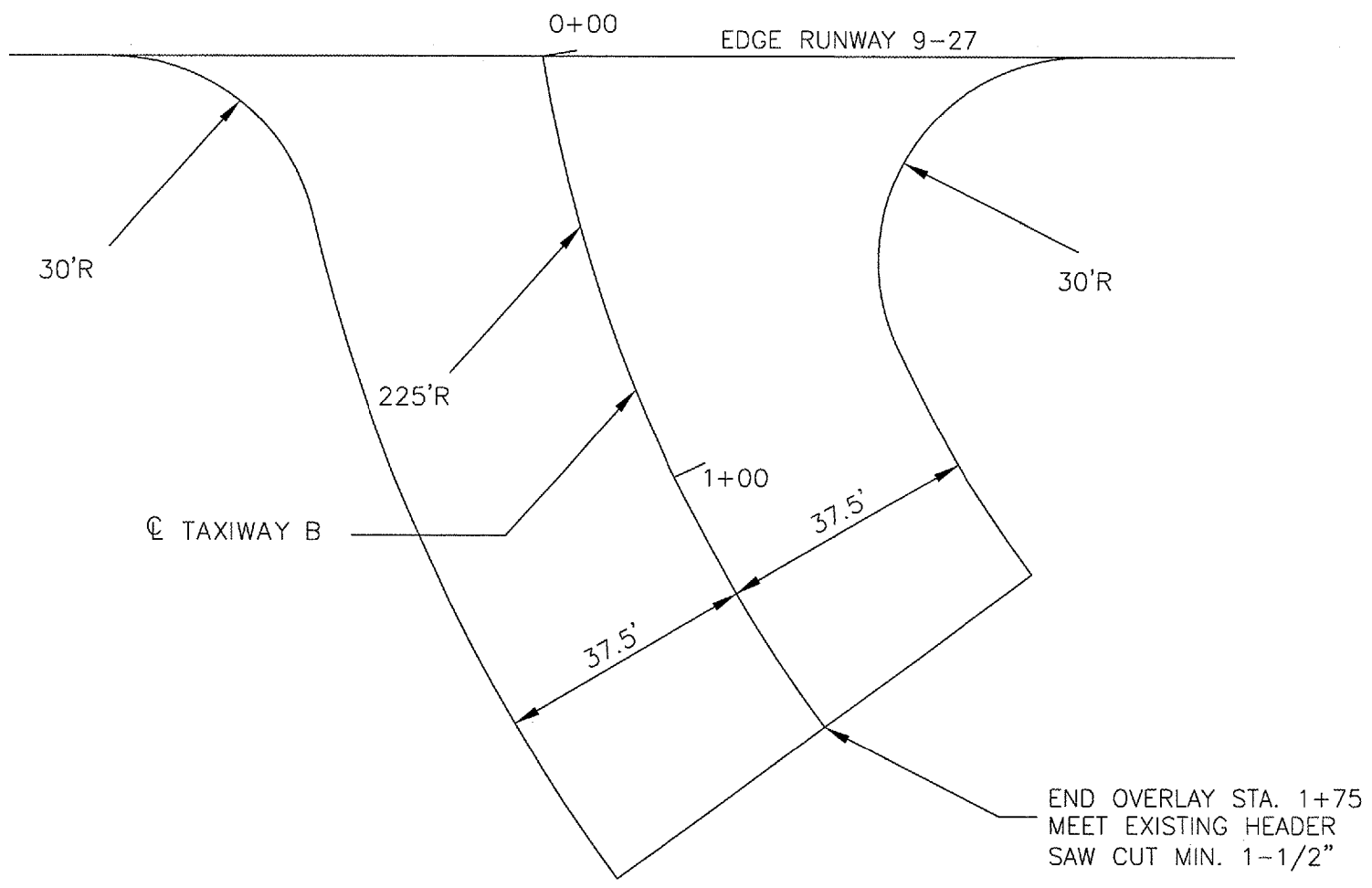
NOTE: INITIAL MILLING TO BE COMPLETED AS SHOWN TO ALLOW RUNWAY 9-27 TO BE REOPENED WITHOUT INSTALLING TEMPORARY TAPERS. REMOVE REMAINING BIT. WEDGE AND INSTALL TACK COAT IMMEDIATELY BEFORE PAVING 15' ADJACENT TO RUNWAY 9-27. ALL PAVEMENT MILLING TO A DEPTH OF 1 1/2"-4" WILL BE DONE UNDER PAY ITEM AR401650 AND PAID PER SQUARE YARD. ANY ADDITIONAL MILLING NECESSARY TO REPAIR PAVEMENT DEFECTS WILL BE DONE UNDER PAY ITEM AR401651 AND PAID PER CUBIC YARD.



HEADER DETAIL STA. 0+00



HEADER DETAIL STA. 1+75



TAXIWAY B INLAY