

**DUCT EXTENSION NOTES**

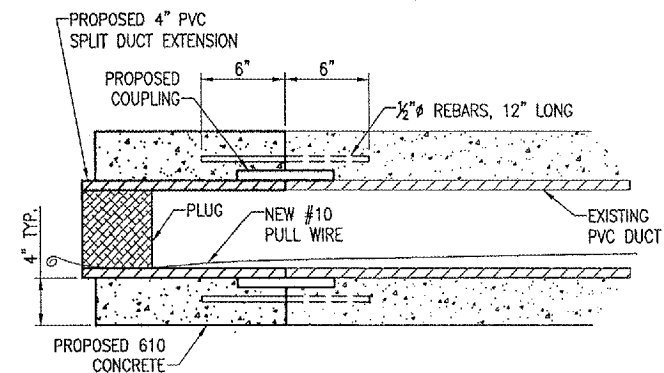
THE EXISTING 4" CONCRETE ENCASED DUCTS SHOWN IN THESE PLANS WILL BE EXTENDED TO A MINIMUM OF 3' FROM THE PROPOSED PAVEMENT EDGE.

THE EXISTING CABLE INSIDE THE DUCTS SHALL REMAIN IN PLACE DURING THE EXTENSION.

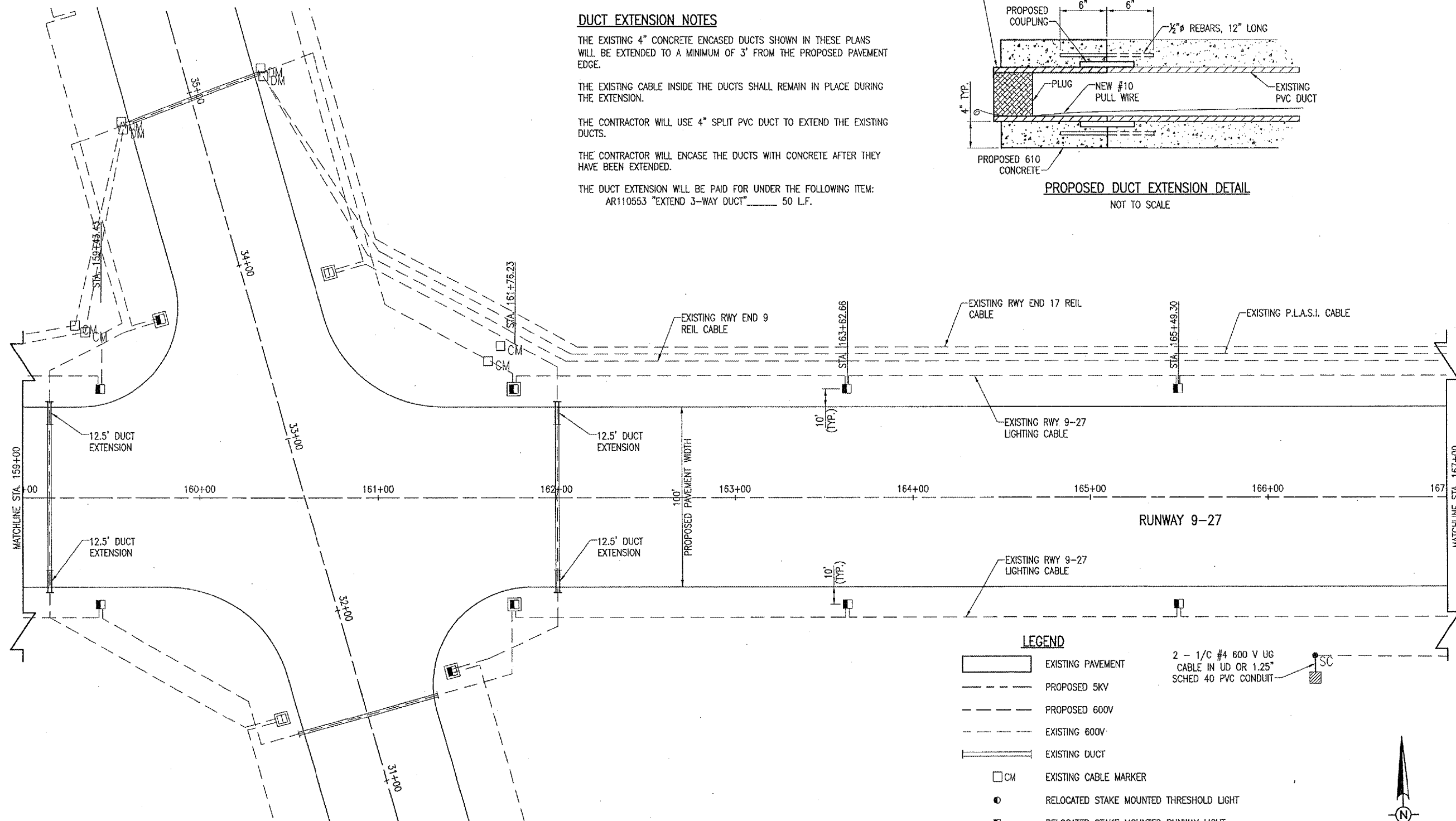
THE CONTRACTOR WILL USE 4" SPLIT PVC DUCT TO EXTEND THE EXISTING DUCTS.

THE CONTRACTOR WILL ENCASE THE DUCTS WITH CONCRETE AFTER THEY HAVE BEEN EXTENDED.

THE DUCT EXTENSION WILL BE PAID FOR UNDER THE FOLLOWING ITEM:  
AR110553 "EXTEND 3-WAY DUCT" 50 L.F.

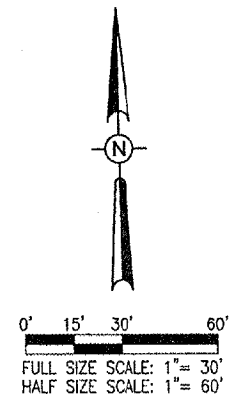


**PROPOSED DUCT EXTENSION DETAIL**  
NOT TO SCALE



**LEGEND**

- EXISTING PAVEMENT
  - PROPOSED 5KV
  - PROPOSED 600V
  - EXISTING 600V
  - EXISTING DUCT
  - EXISTING CABLE MARKER
  - RELOCATED STAKE MOUNTED THRESHOLD LIGHT
  - RELOCATED STAKE MOUNTED RUNWAY LIGHT
  - RELOCATED STAKE MOUNTED TAXIWAY LIGHT
  - RELOCATED BASE MOUNTED RUNWAY LIGHT
  - RELOCATED BASE MOUNTED TAXIWAY LIGHT
  - RELOCATED R.E.I.L.
  - RELOCATED P.L.A.S.I.
  - PROPOSED SPLICE CAN
- 2 - 1/C #4 600 V UG CABLE IN UD OR 1.25" SCHED 40 PVC CONDUIT



JUN 29 2006 9:20 AM CAH  
I:\AIRPORTS\ROBINSON\638-04RWY\AIRPORT\SHEETS\R-142ELE.DWG - 159+00 to 167+00

DATE	REVISION	BY

ROBINSON MUNICIPAL AIRPORT  
ROBINSON  
CRAWFORD COUNTY, ILLINOIS  
A.I.P. PROJ.: 3-17-0086-B10  
IL PROJ.: RSV-3480

HEL Project No. 838-04RWY	
Elements: R-142ELE.DWG	
Scale: 1" = 30'	
Date: 01/13/04	
LAYOUT	CCC 01/13/04
DRAWN	CCC 01/13/04
REVIEWED	CAH 03/05/04

**HANSON**  
Hanson Professional Services Inc.  
1626 South Sixth Street  
Springfield, Illinois 62703-2886  
Offices Nationwide

**RUNWAY 9-27  
WIDENING**  
PROPOSED  
ELECTRICAL PLAN  
STA. 159+00 TO STA. 167+00