

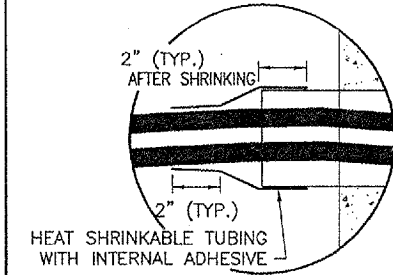
BY	
REVISION	
DATE	

ROBINSON MUNICIPAL AIRPORT  
ROBINSON  
CRAWFORD COUNTY, ILLINOIS

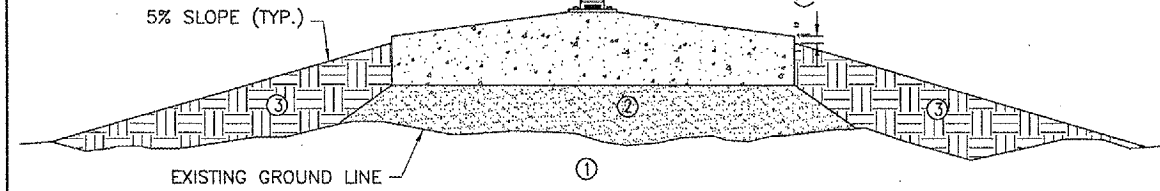
FILE NO.	838-04RWY
PROJECT	R-541ELE.DWG
SCALE	NONE
DATE	01/13/04
LAYOUT	CCC 01/13/04
DRAWN	CCC 01/13/04
REVIEWED	CAH 03/05/04

**HANSON**  
Hanson Professional Services Inc.  
1525 South Sixth Street  
Springfield, Illinois 62703-2686  
Offices Nationwide

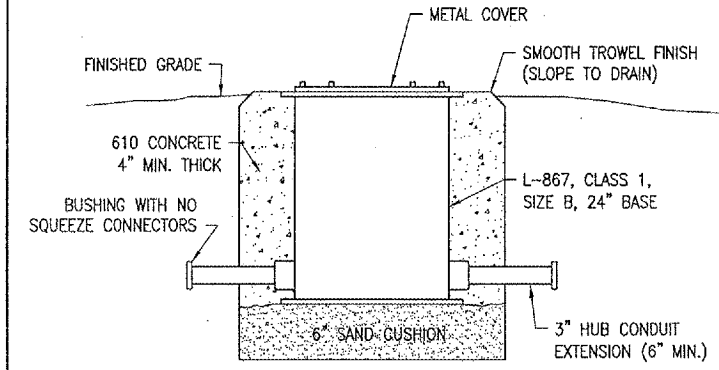
RUNWAY 9-27  
WIDENING  
ELECTRICAL DETAILS



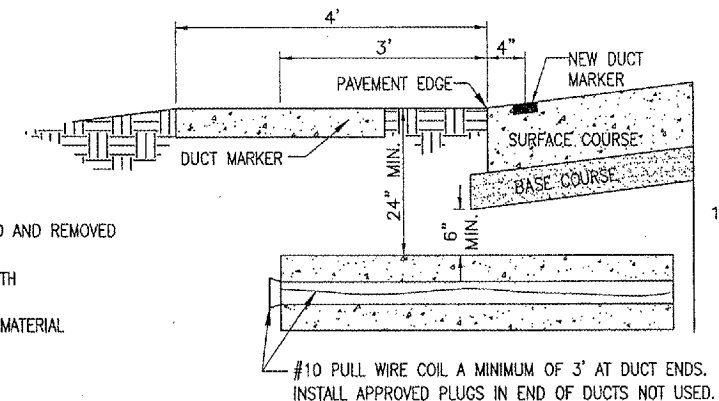
DETAIL "B"  
(NOT TO SCALE)



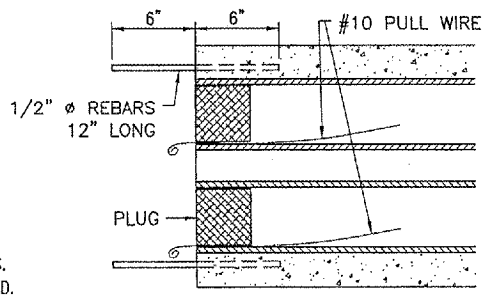
SIGN DETAIL  
(NOT TO SCALE)



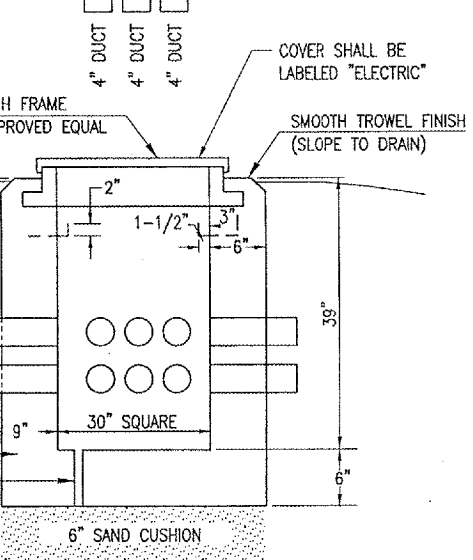
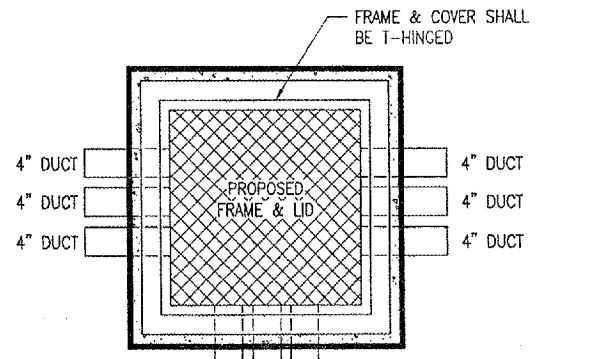
SPLICE CAN DETAIL  
(NOT TO SCALE)



UNDERGROUND ELECTRICAL DUCT  
(NOT TO SCALE)

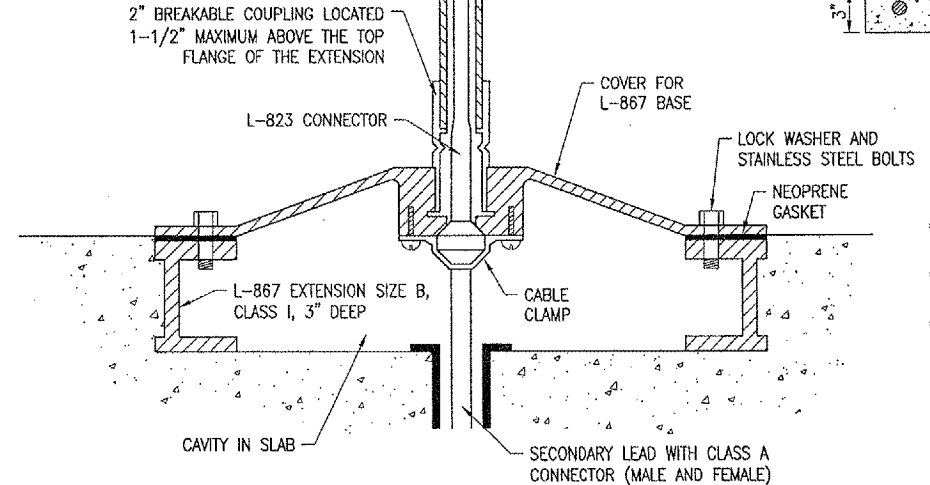


TYPICAL SECTION  
(NOT TO SCALE)

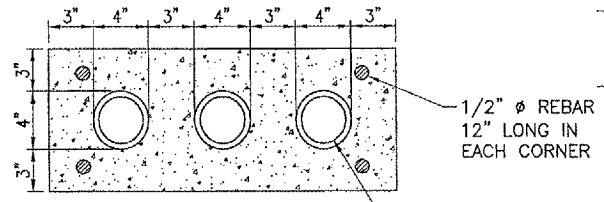


ELECTRICAL HANDHOLE  
(NOT TO SCALE)

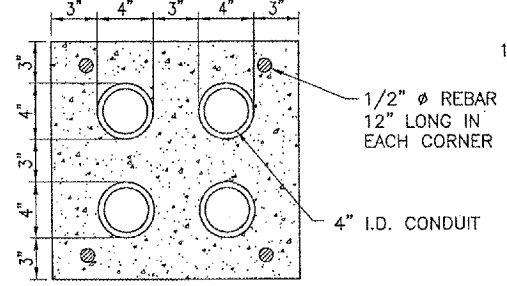
NOTE - ELECTRICAL DUCT FOR BACKFILL AREAS UNDER PROPOSED PAVEMENT, A GRANULAR AGGREGATE MATERIAL (CA-6) SHALL BE USED. THE CA-6 SHALL BE PLACED IN LIFTS NOT TO EXCEED 6 INCHES IN DEPTH. THE AGGREGATE MATERIAL WILL BE COMPACTED TO 90% OF MODIFIED PROCTOR DENSITY.



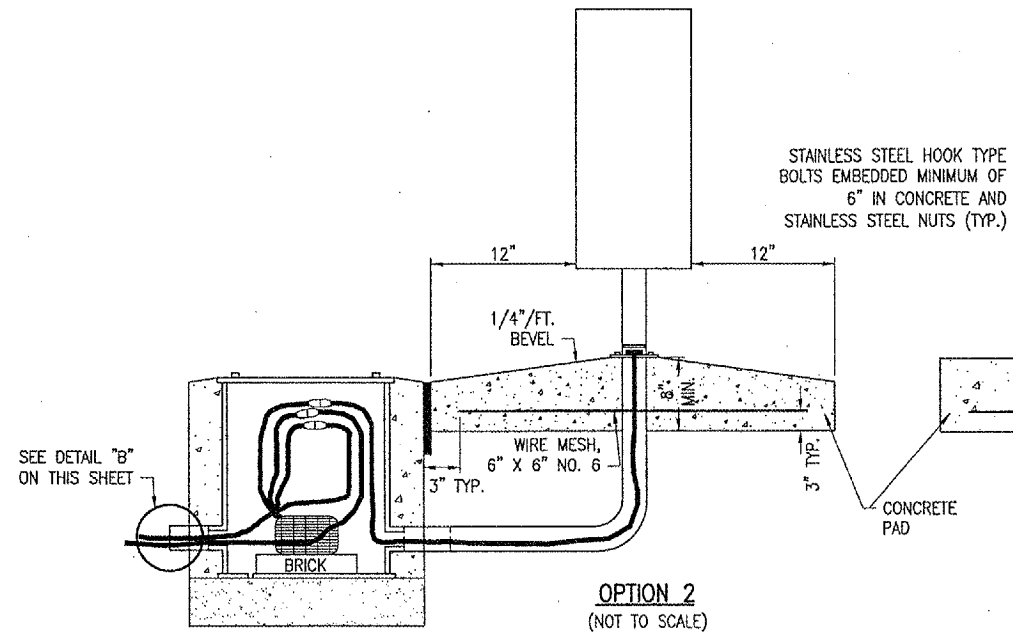
DETAIL "A"  
(NOT TO SCALE)



3-DUCT BANK  
(NOT TO SCALE)



4-DUCT BANK  
(NOT TO SCALE)



OPTION 1  
(NOT TO SCALE)

OPTION 2  
(NOT TO SCALE)

**L-858 SIGN**

NOTES:  
SEE LIGHTING LAYOUT SHEET(S) FOR SIGN LEGEND, LOCATION, TYPE, SIZE, STYLE, AND CLASS.  
NUMBER AND SPACING OF LEGS AS PER MANUFACTURER'S REQUIREMENTS.

THE LOCATION OF UNDERGROUND UTILITIES AS INDICATED ON THE PLANS HAS BEEN OBTAINED FROM EXISTING RECORDS. NEITHER THE OWNER NOR THE ENGINEER ASSUMES ANY RESPONSIBILITY WHATSOEVER, IN RESPECT TO THE ACCURACY OR SUFFICIENCY OF THE INFORMATION AND THERE IS NO GUARANTEE, EITHER EXPRESSED OR IMPLIED, THAT THE CONDITIONS ARE REPRESENTATIVE OF THOSE TO BE ENCOUNTERED IN THE CONSTRUCTION.

