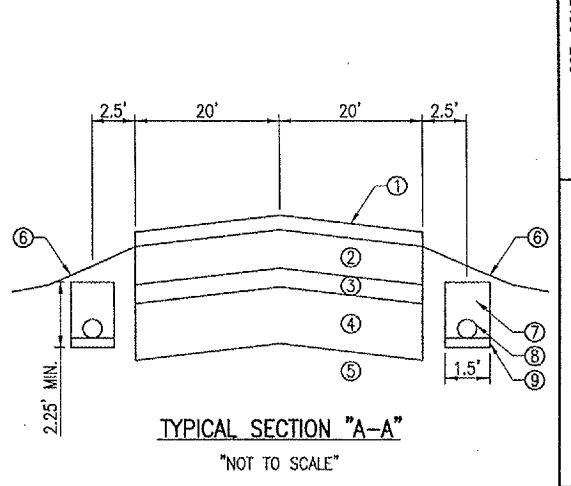
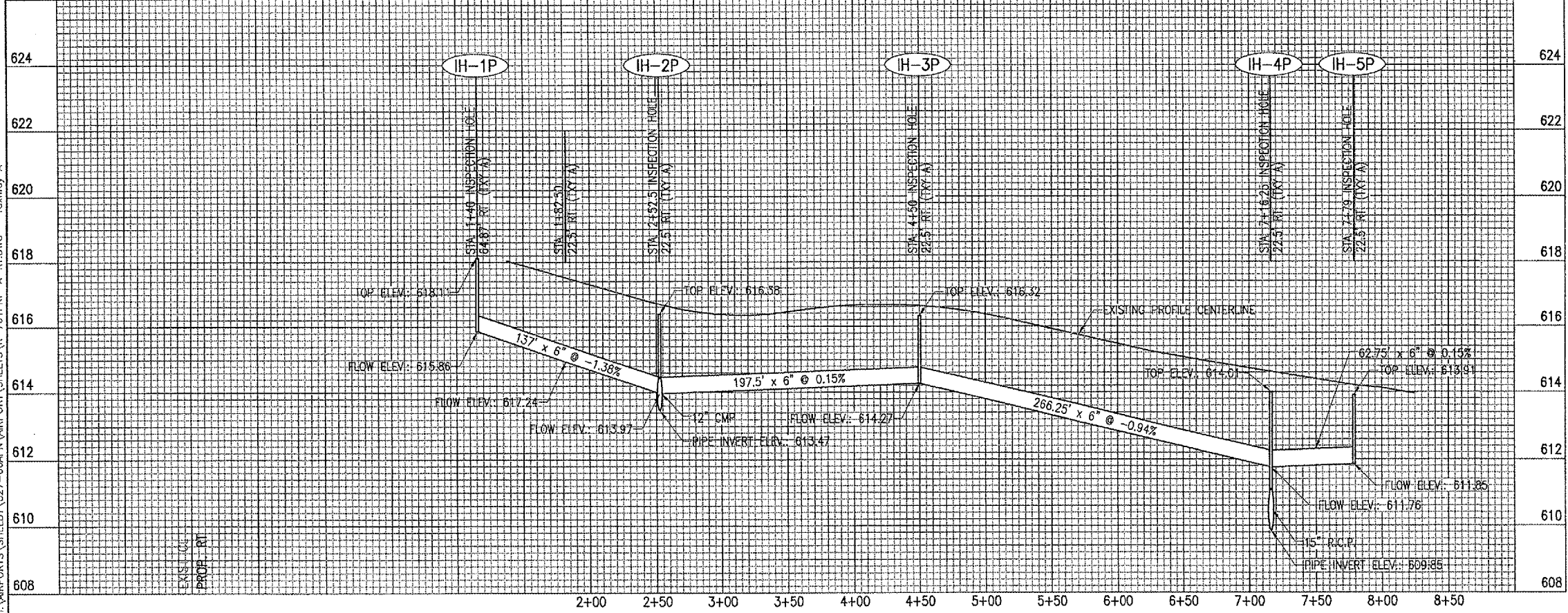


REVISION	DATE	BY

SHELBY COUNTY AIRPORT
 SHELBYVILLE, ILLINOIS

IL. PROJ.: 2HQ-3615 A.I.P. PROJ.: 3-17-0093-B7



- LEGEND - (TYPICAL SECTION)**
- EXISTING (401) BITUMINOUS SURFACE COURSE - 1.5" DEPTH
 - EXISTING (401) BITUMINOUS SURFACE COURSE - 4" DEPTH
 - EXISTING (401) BITUMINOUS SURFACE COURSE - 2" DEPTH
 - EXISTING (209) AGGREGATE BASE COURSE - 6" DEPTH
 - EXISTING EARTH SUBGRADE
 - EXISTING EARTH FILLETS
 - PROPOSED (705) POROUS BACKFILL No. 1 - VARIABLE DEPTH
 - PROPOSED (705) 6" PERFORATED UNDERDRAIN W/SOCK
 - SAND BACKFILL - 4" DEPTH

HANSON
 Hanson Professional Services Inc.
 1525 South Sixth Street
 Springfield, Illinois 62703-2886
 Offices Nationwide

OVERLAY RWY. & APN.
 INSTALL UNDERDRAINS
 PROPOSED TAXIWAY "A"
 RIGHT UNDERDRAIN P&P
 STA. 1+00 TO STA. 8+00

23
 23 of 33 sheets

JUL 05, 2006 8:59 PM RAW
 I:\AIRPORTS\SHELBY\B27-06APN\AIRPORT SHEETS\R-701PNP-A-RT.DWG - Taxiway A

HEL Project No. 827-06APN
 Drawing: R-701PNP-A-RT.DWG
 Scale: 1"=50' H., 1"=2' V.
 Date: 05/01/06

LAYOUT	CCC	05/01/06
DRAWN <td>CCC</td> <td>05/01/06</td>	CCC	05/01/06
REVIEWED <td>RAW</td> <td>05/31/06</td>	RAW	05/31/06