

STATE OF ILLINOIS  
DEPARTMENT OF TRANSPORTATION

|                     |                       |                |                    |                |
|---------------------|-----------------------|----------------|--------------------|----------------|
| F.A.U. RTE.<br>1313 | SECTION<br>2017-008-T | COUNTY<br>COOK | TOTAL SHEETS<br>15 | SHEET NO.<br>1 |
| ILLINOIS            |                       |                | CONTRACT NO. 62F05 |                |

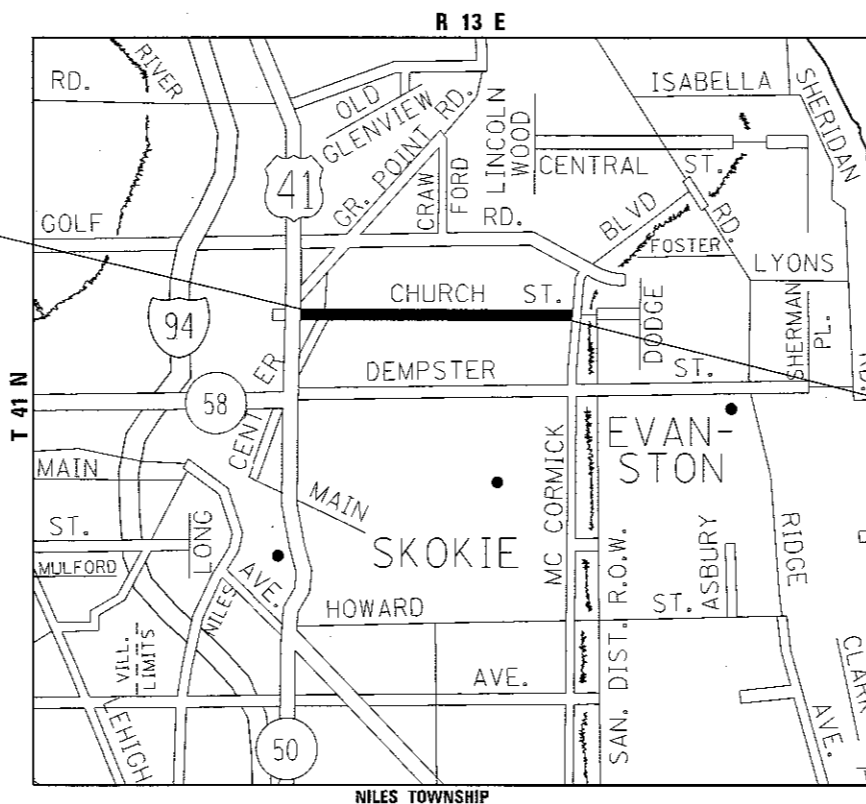
FOR INDEX OF SHEETS, SEE SHEET NO. 2

**HIGHWAY PLANS**  
F.A.U. RTE. 1313-CHURCH ST  
GROSS POINT ROAD TO McCORMICK BLVD  
SECTION: 2017-008-T  
PROJECT: STP-1313(002)  
STRUCTURE LINING  
COOK COUNTY  
C-91-204-17

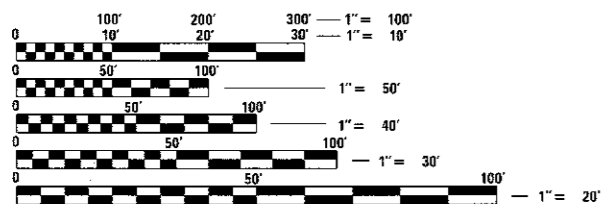
THE IMPROVEMENT IS LOCATED IN THE VILLAGES OF SKOKIE AND EVANSTON

TRAFFIC DATA:  
2014 ADT = 12000  
POSTED SPEED LIMIT = 30 MPH

IMPROVEMENT BEGINS:  
GROSS POINT RD.



IMPROVEMENT ENDS:  
McCORMICK BLVD.



FULL SIZE PLANS HAVE BEEN PREPARED USING STANDARD ENGINEERING SCALES. REDUCED SIZED PLANS WILL NOT CONFORM TO STANDARD SCALES. IN MAKING MEASUREMENTS ON REDUCED PLANS, THE ABOVE SCALES MAY BE USED.

J.U.L.I.E.  
JOINT UTILITY LOCATION INFORMATION FOR EXCAVATION  
1-800-892-0123  
OR 811

PROJECT ENGINEER JEAN ALAIN MIDY (847) 221-3056  
PROJECT MANAGER ISSAM RAYYAN (847) 705-4178

GROSS AND LENGTH = 10,420 FT. = 1.97 MILE

CONTRACT NO. 62F05



LOCATION OF SECTION INDICATED THUS: - [black rectangle] -

STATE OF ILLINOIS  
DEPARTMENT OF TRANSPORTATION

SUBMITTED *May 4 2017*  
*Justin J. Ruffolo*  
REGIONAL ENGINEER

*June 30 2017*  
*Naureen M. Addis, P.E.*  
ENGINEER OF DESIGN AND ENVIRONMENT

*June 30 2017*  
*David J. [Signature]*  
DIRECTOR OF PROGRAM DEVELOPMENT

PRINTED BY THE AUTHORITY  
OF THE STATE OF ILLINOIS

**INDEX OF SHEETS**

- 1. COVER SHEET
- 2. INDEX OF SHEETS, STATE STANDARDS AND GENERAL NOTES
- 3. SUMMARY OF QUANTITIES
- 4.-10. SCHEDULE OF QUANTITIES
- 11. DETAILS FOR FRAMES AND LIDS ADJUSTMENT
- 12. CURB OR CURB AND GUTTER REMOVAL AND REPLACEMENT (BD-24)
- 13. TRAFFIC CONTROL AND PROTECTION FOR SIDE ROADS, INTERSECTIONS, AND DRIVEWAYS (TC-10)
- 14. TRAFFIC CONTROL AND PROTECTION AT TURN BAYS (TO REMAIN OPEN TO TRAFFIC) (TC-14)
- 15. ARTERIAL ROAD INFORMATION SIGN (TC-22)

**STATE STANDARDS**

- 604016-04 FRAME AND LIDS TYPE 4
- 604046-03 FRAME AND GRATE TYPE 10
- 604061-03 FRAME AND GRATE TYPE 12
- 701006-05 OFF-ROAD OPERATIONS, 2L, 2W, 15' (4.5m) TO 24" (600mm) FROM PAVEMENT EDGE
- 701101-05 OFF-ROAD OPERATIONS, MULTILANE, 15' (4.5m) TO 24" (600mm) FROM PAVEMENT EDGE
- 701301-04 LANE CLOSURES, 2L, 2W, SHORT TIME OPERATIONS
- 701311-03 LANE CLOSURES, 2L, 2W, MOVING OPERATIONS-DAY ONLY
- 701427-05 LANE CLOSURES, MULTILANE, INTERMITTENT OR MOVING OPERATION, FOR SPEEDS  $\geq$  40 MPH
- 701501-06 URBAN LANE CLOSURE, 2L, 2W, UNDIVIDED
- 701606-10 URBAN SINGLE LANE CLOSURE, MULTI LANE, 2W WITH MOUNTABLE MEDIAN
- 701701-10 URBAN LANE CLOSURE, MULTILANE INTERSECTION
- 701801-06 SIDEWALK, CORNER OR CROSSWALK CLOSURE
- 701901-06 TRAFFIC CONTROL DEVICES

**GENERAL NOTES:**

- 1. BEFORE STARTING ANY EXCAVATION, THE CONTRACTOR SHALL CALL "J.U.L.I.E." AT (800) 892-0123 OR 811 FOR FIELD LOCATIONS OF BURIED ELECTRIC, TELEPHONE AND GAS UTILITIES. 48 HOUR NOTIFICATION IS REQUIRED.
- 2. TEN (10) FOOT TRANSITIONS SHALL BE USED TO MATCH PROPOSED CURB AND GUTTER AND MEDIAN ITEMS OF WORK TO EXISTING CURBS AND GUTTER AND MEDIANS IN THE FIELD, UNLESS OTHERWISE SHOWN. THE TRANSITIONS SHALL BE PAID FOR AT THE CONTRACT UNIT PRICE FOR THE PROPOSED ITEMS OF WORK SPECIFIED.
- 3. THE CONTRACTOR SHALL COORDINATE CONSTRUCTION ACTIVITIES WITH UTILITY COMPANIES, AND THE THE VILLAGES OF SKOKIE AND EVANSTON.
- 4. THE CONTRACTOR WILL NOT BE ALLOWED TO SET UP A YARD OR FIELD OFFICE ON STATE PROPERTY WITHOUT WRITTEN PERMISSION FROM THE DEPARTMENT.
- 5. USE #8 EPOXY-COATED TIE BARS, CONFORMING TO ART. 1006.10 OF THE STANDARD SPECIFICATIONS, FOR ALL TIE BARS. USE THE "LONGITUDINAL CONSTRUCTION JOINT (TIE BAR GROUTED IN PLACE)" DETAIL SHOWN ON HIGHWAY STANDARD 420001 FOR ALL LONGITUDINAL JOINTS.
- 6. ALL DAMAGE TO EXISTING PAVEMENT MARKINGS OR RAISED REFLECTIVE PAVEMENT MARKERS OUTSIDE THE REMOVAL LINE SHOWN ON THE PLANS SHALL BE REPLACED AT NO ADDITIONAL COST TO THE DEPARTMENT.
- 7. IT SHALL BE THE CONTRACTOR'S RESPONSIBILITY TO VERIFY ALL DIMENSIONS AND CONDITIONS EXISTING IN THE FIELD PRIOR TO CONSTRUCTION AND ORDERING OF MATERIALS.
- 8. THE CONTRACTOR SHALL CONTACT THE DISTRICT ONE TRAFFIC CONTROL SUPERVISOR AT (847)705-4470 A MINIMUM OF 72 HOURS IN ADVANCE OF BEGINNING WORK.
- 9. THESE PLANS HAVE BEEN PREPARED FROM NOTES RECEIVED FROM THE BUREAU OF MAINTENANCE.
- 10. THE CONTRACTOR SHALL BE REQUIRED TO PROVIDE ACCESS TO ABUTTING PROPERTY AT ALL TIMES DURING THE CONSTRUCTION OF THIS PROJECT.

- 11. DO NOT SCALE PLANS FOR CONSTRUCTION DIMENSIONS.
- 12. FOR FRAMES AND LIDS/GRATES ADJUSTMENT OR RECONSTRUCTION, REUSE EXISTING FRAME AND LID/GRATE UNLESS OTHERWISE SPECIFIED IN THE PLANS.
- 13. FRAME AND GRATES ADJUSTMENT OF PRIVATE UTILITIES WITHIN THE LIMITS OF THE IMPROVEMENTS SHALL BE DONE BY THE RESPECTIVE OWNERS AND ARE NOT PART OF THIS CONTRACT.
- 14. ALL STRUCTURES SHALL BE BASED ON 4 FT DIAMETER.
- 15. THE ENGINEER SHALL CONTACT THE NORTHBROOK MAINTENANCE FACILITY AT (847) 272-1246 FOR VERIFICATION OF ANY STRUCTURE LOCATION IF REQUIRED.

**HMA MIXTURE REQUIREMENTS**

| MIXTURE TYPE  | AIR VOIDS @ NDES | QUALITY MANAGEMENT PROGRAM (QMP) |
|---|------------------|----------------------------------|
| <b>INCIDENTAL HOT-MIX ASPHALT SURFACING</b>                   |                  |                                  |
| HOT-MIX ASPHALT SURFACE COURSE, MIX "D", N70 (IL 9.5 mm) (2") | 4% @ 70 CYR      | QC / QA                          |

THE UNIT WEIGHT USED TO CALCULATE ALL HOT-MIX ASPHALT SURFACE MIXTURE QUANTITIES IS 112 LBS/SOYD/IN.

THE "AC TYPE" FOR POLYMERIZED HMA MIXES SHALL BE "SBS/SBR PG 76 -22" AND FOR NON-POLYMERIZED HMA THE "AC TYPE" SHALL BE "PG 64 -22" UNLESS MODIFIED BY DISTRICT ONE SPECIAL PROVISIONS. FOR USE OF RECYCLED MATERIALS SEE SPECIAL PROVISIONS.

QUALITY MANAGEMENT PROGRAM (QMP) IDENTIFIES THE PARTICULAR QUANTITY CONTROL SPECIFICATION THAT APPLIES TO THE HMA MIXTURE.

|   |   |            |           |   |   |       |             |            |        |              |           |                           |
|---|---|------------|-----------|---|---|-------|-------------|------------|--------|--------------|-----------|---------------------------|
| FILE NAME =   | USER NAME = saim@sch  | DESIGNED - | REVISED - | <b>STATE OF ILLINOIS<br/>DEPARTMENT OF TRANSPORTATION</b> | <b>CHURCH ST./GROSS POINT RD TO MCCORMICK BLVD</b>        |       | F.A.U. RTE. | SECTION    | COUNTY | TOTAL SHEETS | SHEET NO. |                           |
| \\w\084EB\INTEG\hols.gov\PIW\DOT\Documents\DOT Offices\District 1\Projects\120417\CADD\at\Design\120417-DRW | DT Offices\District 1\Projects\120417\CADD\at\Design\120417-DRW | CHECKED -  | REVISED - |   | <b>INDEX OF SHEETS, STATE STANDARDS AND GENERAL NOTES</b> |       | 1313        | 2017-008-T | COOK   | 15           | 2         |                           |
| Default   | PLOT SCALE = 100.0000 / in.                                     | DATE -     | REVISED - |   | SCALE:  | SHEET | OF          | SHEETS     | STA.   | TO           | STA.      | CONTRACT NO. 62F05        |
|   | PLOT DATE = 6/24/2017   |            |           |   |   |       |             |            |        |              |           | ILLINOIS FED. AID PROJECT |

URBAN

URBAN

| SUMMARY OF QUANTITIES |  |        | TOTAL QUANTITIES | CONSTRUCTION TYPE CODE |  |  |  |  |
|-----------------------|--|--------|------------------|------------------------|--|--|--|--|
| CODE NO               | ITEM   | UNIT   |                  | 80/20 (FED/STATE) 0004 |  |  |  |  |
| 25200110              | SODDING, SALT TOLERANT                             | SO YD  | 70               | 70                     |  |  |  |  |
| 40800029              | BITUMINOUS MATERIALS (TACK COAT)                   | POUND  | 10               | 10                     |  |  |  |  |
| 40800050              | INCIDENTAL HOT-MIX ASPHALT SURFACING               | TON    | 3                | 3                      |  |  |  |  |
| 42001300              | PROTECTIVE COAT                                    | SO YD  | 137              | 137                    |  |  |  |  |
| 60250200              | CATCH BASINS TO BE ADJUSTED                        | EACH   | 1                | 1                      |  |  |  |  |
| 60252800              | CATCH BASINS TO BE RECONSTRUCTED                   | EACH   | 6                | 6                      |  |  |  |  |
| 60260100              | INLETS TO BE ADJUSTED                              | EACH   | 5                | 5                      |  |  |  |  |
| 60262700              | INLETS TO BE RECONSTRUCTED                         | EACH   | 4                | 4                      |  |  |  |  |
| 67000400              | ENGINEER'S FIELD OFFICE, TYPE A                    | CAL MO | 3                | 3                      |  |  |  |  |
| 67100100              | MOBILIZATION                                       | LSUM   | 1                | 1                      |  |  |  |  |
| 70102620              | TRAFFIC CONTROL AND PROTECTION,<br>STANDARD 701501 | LSUM   | 1                | 1                      |  |  |  |  |
| 70102625              | TRAFFIC CONTROL AND PROTECTION,<br>STANDARD 701606 | LSUM   | 1                | 1                      |  |  |  |  |
| 70102635              | TRAFFIC CONTROL AND PROTECTION,<br>STANDARD 701701 | LSUM   | 1                | 1                      |  |  |  |  |
| 70102640              | TRAFFIC CONTROL AND PROTECTION,<br>STANDARD 701801 | LSUM   | 1                | 1                      |  |  |  |  |

| SUMMARY OF QUANTITIES |   |       | TOTAL QUANTITIES | CONSTRUCTION TYPE CODE |  |  |  |  |
|-----------------------|---|-------|------------------|------------------------|--|--|--|--|
| CODE NO               | ITEM  | UNIT  |                  | 80/20 (FED/STATE) 0004 |  |  |  |  |
| X1200048              | DRAINAGE STRUCTURE LINING                                       | FOOT  | 411              | 411                    |  |  |  |  |
| Z0004562              | COMBINATION CONCRETE CURB AND GUTTER<br>REMOVAL AND REPLACEMENT | FOOT  | 320              | 320                    |  |  |  |  |
| Z0018500              | DRAINAGE STRUCTURES TO BE CLEANED                               | EACH  | 37               | 37                     |  |  |  |  |
| Z0030850              | TEMPORARY INFORMATION SIGNING                                   | SO FT | 51.4             | 51.4                   |  |  |  |  |

|  |   |                 |           |
|--|---|-----------------|-----------|
| FILE NAME =  | USER NAME = sahrivich                                   | DESIGNED -      | REVISED - |
| PH:\VLO\B\EB\DW\TEG\Hills.gov\PH001\Documents\DOT\ | Offices\District\Projects\012047\CAD\Design\Design\2047 | BY: [Signature] | REVISED - |
|  | PLOT SCALE = 1000000' / 1"                              | CHECKED -       | REVISED - |
|  | PLOT DATE = 5/11/2017                                   | DATE -          | REVISED - |

**STATE OF ILLINOIS  
DEPARTMENT OF TRANSPORTATION**

|   |                         |             |            |                    |              |           |
|---|-------------------------|-------------|------------|--------------------|--------------|-----------|
| CHURCH ST./GROSS POINT RD TO MCCORMICK BLVD |                         | F.A.U. RTE. | SECTION    | COUNTY             | TOTAL SHEETS | SHEET NO. |
| SUMMARY OF QUANTITIES                       |                         | 1313        | 2017-008-1 | LAKE               | 15           | 3         |
| SCALE:                                      | SHEET NO. 1 OF 1 SHEETS | STA.        | TO STA.    | CONTRACT NO. 62F05 |              |           |

|                       |          |                  |
|-----------------------|----------|------------------|
| FED. ROAD DIST. NO. 1 | ILLINOIS | FED. AID PROJECT |
|-----------------------|----------|------------------|

NON-PARTICIPATING



## SCHEDULE

| NO.              | LOCATION                          | STRUCTURE TYPE | 60250200                    | 60252800                         | 60260100              | 60262700                   | X1200048                  | Z0004562                                 | Z0018500                          |  |  |  |  |  |  | COMMENTS   |
|------------------|-----------------------------------|----------------|-----------------------------|----------------------------------|-----------------------|----------------------------|---------------------------|--|-----------------------------------|--|--|--|--|--|--|--|
|                  |                                   |                | CATCH BASINS TO BE ADJUSTED | CATCH BASINS TO BE RECONSTRUCTED | INLETS TO BE ADJUSTED | INLETS TO BE RECONSTRUCTED | DRAINAGE STRUCTURE LINING | Combination CC&G Removal and Replacement | DRAINAGE STRUCTURES TO BE CLEANED |  |  |  |  |  |  |  |
|                  |                                   |                | EACH                        | EACH                             | EACH                  | EACH                       | LF                        | FOOT                                     | EACH                              |  |  |  |  |  |  |  |
| 21               | 4421 Church St. Skokie (EB)       | IL             | -                           | -                                | 1                     | -                          | 2                         | 10                                       | -                                 |  |  |  |  |  |  | Crack on both sides of C.B. to center of crown. East corner of bid is undermined |
| 22               | 4419 Church St. Skokie (EB)       | IL             | -                           | -                                | -                     | 1                          | 2                         | 10                                       | -                                 |  |  |  |  |  |  |  |
| 23               | 4401 Church St. Skokie (EB)       | IL             | -                           | -                                | -                     | 1                          | 2                         | 10                                       | -                                 |  |  |  |  |  |  |  |
| 24               | 4349 Church St. Skokie (EB)       | IL             | -                           | -                                | -                     | 1                          | 2                         | 10                                       | -                                 |  |  |  |  |  |  |  |
| 25               | 4331 Church St. Skokie (EB)       | IL             | -                           | -                                | -                     | -                          | 2                         | 10                                       | -                                 |  |  |  |  |  |  |  |
| 26               | 4319 Church St. Skokie (EB)       | CB             | -                           | -                                | -                     | -                          | 2                         | -  | -                                 |  |  |  |  |  |  |  |
| 27               | Church St Before Kildare Ave (EB) | CB             | -                           | -                                | -                     | -                          | 2                         | -  | -                                 |  |  |  |  |  |  |  |
| 28               | 4253 Church St. Skokie (EB)       | CB             | -                           | -                                | -                     | -                          | 2                         | -  | -                                 |  |  |  |  |  |  |  |
| 29               | 4230 Church St. Skokie (EB)       | IL             | -                           | -                                | 1                     | -                          | 2                         | 10                                       | -                                 |  |  |  |  |  |  |  |
| 30               | 4221 Church St. Skokie (EB)       | IL             | -                           | -                                | 1                     | -                          | 3                         | 10                                       | -                                 |  |  |  |  |  |  |  |
| 31               | 4200 Church St. Skokie (EB)       | CB             | -                           | -                                | -                     | -                          | 3                         | -  | -                                 |  |  |  |  |  |  |  |
| 32               | Church St At Keeler Ave. (EB)     | CB             | -                           | -                                | -                     | -                          | -                         | -  | 1                                 |  |  |  |  |  |  |  |
| 33               | 4149 Church St. Skokie (EB)       | CB             | -                           | -                                | -                     | -                          | -                         | -  | 1                                 |  |  |  |  |  |  |  |
| 34               | 4131 Church St. Skokie (EB)       | CB             | -                           | -                                | -                     | -                          | -                         | -  | 1                                 |  |  |  |  |  |  |  |
| 35               | 4115 Church St. Skokie (EB)       | CB             | -                           | -                                | -                     | -                          | -                         | -  | 1                                 |  |  |  |  |  |  |  |
| 36               | Church st Before Karlov Ave. (EB) | IL             | -                           | -                                | 1                     | -                          | -                         | 10                                       | -                                 |  |  |  |  |  |  |  |
| 37               | 4051 Church St. Skokie (EB)       | IL             | -                           | -                                | -                     | 1                          | 3                         | 10                                       | -                                 |  |  |  |  |  |  |  |
| 38               | 4039 Church st, Skokie (EB)       | CB             | -                           | -                                | -                     | -                          | -                         | -  | 1                                 |  |  |  |  |  |  |  |
| 39               | 4019 Church St. (EB)              | CB             | -                           | -                                | -                     | -                          | -                         | -  | 1                                 |  |  |  |  |  |  |  |
| 40               | 4017 Church St. Skokie (EB)       | CB             | -                           | -                                | -                     | -                          | 5                         | -  | -                                 |  |  |  |  |  |  |  |
| <b>SUB-TOTAL</b> |                                   |                | 0                           | 0                                | 4                     | 4                          | 32                        | 90                                       | 6                                 |  |  |  |  |  |  |  |

## SCHEDULE

| NO.              | LOCATION                               | STRUCTURE TYPE | 60250200                    | 60252800                         | 60260100              | 60262700                   | X1200048                  | Z0004562                                 | Z0018500                          |  |  |  |  |  |  |  | COMMENTS |
|------------------|--|----------------|-----------------------------|----------------------------------|-----------------------|----------------------------|---------------------------|--|-----------------------------------|--|--|--|--|--|--|--|----------|
|                  |  |                | CATCH BASINS TO BE ADJUSTED | CATCH BASINS TO BE RECONSTRUCTED | INLETS TO BE ADJUSTED | INLETS TO BE RECONSTRUCTED | DRAINAGE STRUCTURE LINING | Combination CC&G Removal and Replacement | DRAINAGE STRUCTURES TO BE CLEANED |  |  |  |  |  |  |  |          |
|                  |  |                | EACH                        | EACH                             | EACH                  | EACH                       | LF                        | FOOT                                     | EACH                              |  |  |  |  |  |  |  |          |
| 41               | 3945 Church St. Skokie (EB)            | CB             | -                           | -                                | -                     | -                          | 6                         | -  | -                                 |  |  |  |  |  |  |  |          |
| 42               | 3941 Church St. Skokie (EB)            | CB             | -                           | -                                | -                     | -                          | -                         | -  | 1                                 |  |  |  |  |  |  |  |          |
| 43               | Church St Before Springfield Ave (EB)  | CB             | -                           | -                                | -                     | -                          | 4                         | -  | -                                 |  |  |  |  |  |  |  |          |
| 44               | Church St Before Avers Ave (EB)        | CB             | -                           | -                                | -                     | -                          | 3                         | -  | -                                 |  |  |  |  |  |  |  |          |
| 45               | Church St At Avers Ave (EB)            | CB             | -                           | -                                | -                     | -                          | 6                         | -  | -                                 |  |  |  |  |  |  |  |          |
| 46               | Church St At Samoset Trail (EB)        | CB             | -                           | -                                | -                     | -                          | 4                         | -  | -                                 |  |  |  |  |  |  |  |          |
| 47               | Church St Before Hamlin Ave (EB)       | IL             | -                           | -                                | 1                     | -                          | 3                         | 10                                       | -                                 |  |  |  |  |  |  |  |          |
| 48               | Church St At Bidgeway Ave (EB)         | CB             | -                           | -                                | -                     | -                          | 3                         | -  | -                                 |  |  |  |  |  |  |  |          |
| 49               | 3723 Church St. Skokie (EB)            | CB             | -                           | -                                | -                     | -                          | 4                         | 10                                       | -                                 |  |  |  |  |  |  |  |          |
| 50               | 3711 Church St. Skokie (EB)            | CB             | -                           | -                                | -                     | -                          | -                         | -  | 1                                 |  |  |  |  |  |  |  |          |
| 51               | 9143 Church St. Skokie (EB)            | CB             | -                           | -                                | -                     | -                          | 4                         | -  | -                                 |  |  |  |  |  |  |  |          |
| 52               | 3601 Church St. Skokie (EB)            | CB             | -                           | -                                | -                     | -                          | -                         | -  | 1                                 |  |  |  |  |  |  |  |          |
| 53               | 3601 Church St. Skokie (EB)            | CB             | -                           | -                                | -                     | -                          | -                         | 10                                       | 1                                 |  |  |  |  |  |  |  |          |
| 54               | Church St At Central Park Ave. (EB)    | CB             | -                           | 1                                | -                     | -                          | -                         | 10                                       | -                                 |  |  |  |  |  |  |  |          |
| 55               | near 3553 Church St, Evansgton IL (EB) | CB             | -                           | -                                | -                     | -                          | 5                         | -  | -                                 |  |  |  |  |  |  |  |          |
| 56               | 3531 Church St, Evansgton IL (EB)      | CB             | -                           | -                                | -                     | -                          | 5                         | 10                                       | -                                 |  |  |  |  |  |  |  |          |
| 57               | Church St At Lincolnwood Dr. (EB)      | CB             | -                           | -                                | -                     | -                          | -                         | -  | 1                                 |  |  |  |  |  |  |  |          |
| 58               | Church St At Praire Road (EB)          | CB             | -                           | -                                | -                     | -                          | 6                         | 10                                       | -                                 |  |  |  |  |  |  |  |          |
| 59               | 3421 Church St, Evansgton IL (EB)      | CB             | -                           | -                                | -                     | -                          | 3                         | 10                                       | -                                 |  |  |  |  |  |  |  |          |
| 60               | 3361 Church St, Evansgton IL (EB)      | CB             | -                           | -                                | -                     | -                          | -                         | -  | 1                                 |  |  |  |  |  |  |  |          |
| <b>SUB-TOTAL</b> |  |                | 0                           | 1                                | 1                     | 0                          | 56                        | 70                                       | 6                                 |  |  |  |  |  |  |  |          |

## SCHEDULE

| NO.       | LOCATION                             | STRUCTURE TYPE | 60250200                    | 60252800                         | 60260100              | 60262700                   | X1200048                  | Z0004562                                 | Z0018500                          |  |  |  |  |  |  |  | COMMENTS |                |
|-----------|--------------------------------------|----------------|-----------------------------|----------------------------------|-----------------------|----------------------------|---------------------------|--|-----------------------------------|--|--|--|--|--|--|--|----------|----------------|
|           |                                      |                | CATCH BASINS TO BE ADJUSTED | CATCH BASINS TO BE RECONSTRUCTED | INLETS TO BE ADJUSTED | INLETS TO BE RECONSTRUCTED | DRAINAGE STRUCTURE LINING | Combination CC&G Removal and Replacement | DRAINAGE STRUCTURES TO BE CLEANED |  |  |  |  |  |  |  |          |                |
|           |                                      |                | EACH                        | EACH                             | EACH                  | EACH                       | LF                        | FOOT                                     | EACH                              |  |  |  |  |  |  |  |          |                |
| 61        | 3341 Church St, Evansgton IL (EB)    | CB             | -                           | -                                | -                     | -                          | 4                         | -  | -                                 |  |  |  |  |  |  |  |          |                |
| 62        | Church St At Ewing Ave (EB)          | CB             | -                           | 1                                | -                     | -                          | 4                         | 10                                       | -                                 |  |  |  |  |  |  |  |          | Total Collapse |
| 63        | 3319 Church St , Evanston IL (EB)    | CB             | -                           | -                                | -                     | -                          | 6                         | -  | -                                 |  |  |  |  |  |  |  |          |                |
| 64        | Church St At Bennett Ave. (EB)       | CB             | -                           | -                                | -                     | -                          | -                         | 10                                       | 1                                 |  |  |  |  |  |  |  |          |                |
| 65        | N Church St At Bennett Ave. (EB)     | CB             | -                           | -                                | -                     | -                          | 5                         | -  | -                                 |  |  |  |  |  |  |  |          |                |
| 66        | 3318 Church St (WB)                  | CB             | -                           | -                                | -                     | -                          | 6                         | -  | -                                 |  |  |  |  |  |  |  |          |                |
| 67        | 4 Church St @ (9200 Ewing Ave ) (WB) | CB             | -                           | -                                | -                     | -                          | 6                         | -  | -                                 |  |  |  |  |  |  |  |          |                |
| 68        | 3348 Church St (WB)                  | CB             | -                           | -                                | -                     | -                          | 6                         | 10                                       | -                                 |  |  |  |  |  |  |  |          |                |
| 69        | 3402 Church St (WB)                  | CB             | -                           | -                                | -                     | -                          | 6                         | -  | -                                 |  |  |  |  |  |  |  |          |                |
| 70        | Church st At E. Prairie Rd (WB)      | CB             | -                           | -                                | -                     | -                          | 6                         | -  | -                                 |  |  |  |  |  |  |  |          |                |
| 71        | Near 3410-3498 Church st (WB)        | CB             | -                           | -                                | -                     | -                          | 6                         | -  | -                                 |  |  |  |  |  |  |  |          |                |
| 72        | Near 3410 - 3498 Church St (WB)      | CB             | -                           | -                                | -                     | -                          | 10                        | -  | -                                 |  |  |  |  |  |  |  |          |                |
| 73        | Near 3434 Church St                  | CB             | -                           | -                                | -                     | -                          | 6                         | -  | -                                 |  |  |  |  |  |  |  |          |                |
| 74        | 8 Church St @ (9200 Drake Ave) (WB)  | CB             | -                           | -                                | -                     | -                          | 6                         | 10                                       | -                                 |  |  |  |  |  |  |  |          |                |
| 75        | Church St Past Drake Ave (WB)        | CB             | -                           | -                                | -                     | -                          | 4                         | -  | -                                 |  |  |  |  |  |  |  |          |                |
| 76        | Church St At Central Park Ave (WB)   | CB             | -                           | -                                | -                     | -                          | 6                         | -  | -                                 |  |  |  |  |  |  |  |          |                |
| 77        | Church St Past Central Ave (WB)      | CB             | -                           | -                                | -                     | -                          | 6                         | -  | -                                 |  |  |  |  |  |  |  |          |                |
| 78        | 3618 Church St. Skokie (WB)          | CB             | -                           | -                                | -                     | -                          | 6                         | -  | -                                 |  |  |  |  |  |  |  |          |                |
| 79        | 3636 Church St. Skokie (WB)          | CB             | -                           | -                                | -                     | -                          | 3                         | -  | -                                 |  |  |  |  |  |  |  |          |                |
| 80        | Church St At Bennett Ave. (WB)       | CB             | -                           | -                                | -                     | -                          | 5                         | 10                                       | -                                 |  |  |  |  |  |  |  |          |                |
| SUB-TOTAL |                                      |                | 0                           | 1                                | 0                     | 0                          | 107                       | 50                                       | 1                                 |  |  |  |  |  |  |  |          |                |

## SCHEDULE

| NO.              | LOCATION                             | STRUCTURE TYPE | 60250200                    | 60252800                         | 60260100              | 60262700                   | X1200048                  | Z0004562                                 | Z0018500                          |  |  |  |  |  |  |  | COMMENTS |
|------------------|--------------------------------------|----------------|-----------------------------|----------------------------------|-----------------------|----------------------------|---------------------------|--|-----------------------------------|--|--|--|--|--|--|--|----------|
|                  |                                      |                | CATCH BASINS TO BE ADJUSTED | CATCH BASINS TO BE RECONSTRUCTED | INLETS TO BE ADJUSTED | INLETS TO BE RECONSTRUCTED | DRAINAGE STRUCTURE LINING | Combination CC&G Removal and Replacement | DRAINAGE STRUCTURES TO BE CLEANED |  |  |  |  |  |  |  |          |
|                  |                                      |                | EACH                        | EACH                             | EACH                  | EACH                       | LF                        | FOOT                                     | EACH                              |  |  |  |  |  |  |  |          |
| 81               | 3658 Church St (WB)                  | CB             | -                           | -                                | -                     | -                          | 6                         | 10                                       | -                                 |  |  |  |  |  |  |  |          |
| 82               | Church St @ Lawndale Ave (WB)        | CB             | -                           | -                                | -                     | -                          | 4                         | -  | -                                 |  |  |  |  |  |  |  |          |
| 83               | 3716 Church St (WB)                  | CB             | -                           | -                                | -                     | -                          | 6                         | 10                                       | -                                 |  |  |  |  |  |  |  |          |
| 84               | Church St. At Ridgeway Ave (WB)      | CB             | 1                           | -                                | -                     | -                          | -                         | 10                                       | -                                 |  |  |  |  |  |  |  |          |
| 85               | 3750 N. Church St. (WB)              | CB             | -                           | -                                | -                     | -                          | 4                         | -  | -                                 |  |  |  |  |  |  |  |          |
| 86               | 3806 N. Church St. (WB)              | CB             | -                           | -                                | -                     | -                          | 4                         | -  | -                                 |  |  |  |  |  |  |  |          |
| 87               | Church St. At Before Avers Ave (WB)  | CB             | -                           | -                                | -                     | -                          | 4                         | -  | -                                 |  |  |  |  |  |  |  |          |
| 88               | Church St. At Past Avers Ave (WB)    | CB             | -                           | -                                | -                     | -                          | 5                         | -  | -                                 |  |  |  |  |  |  |  |          |
| 89               | 3838 N Church St, Skokie (WB)        | CB             | -                           | -                                | -                     | -                          | 5                         | -  | -                                 |  |  |  |  |  |  |  |          |
| 90               | Church St At Springfield Ave (WB)    | CB             | -                           | 1                                | -                     | -                          | 6                         | 10                                       | -                                 |  |  |  |  |  |  |  |          |
| 91               | 3906 N. Church St. (WB)              | CB             | -                           | -                                | -                     | -                          | 6                         | -  | -                                 |  |  |  |  |  |  |  |          |
| 92               | 3912 Church St., Evanston IL (WB)    | CB             | -                           | -                                | -                     | -                          | 8                         | -  | -                                 |  |  |  |  |  |  |  |          |
| 93               | 3936 Church St., Evanston IL (WB)    | CB             | -                           | -                                | -                     | -                          | 3                         | -  | -                                 |  |  |  |  |  |  |  |          |
| 94               | 3944 Church St., Evanston IL (WB)    | CB             | -                           | -                                | -                     | -                          | 3                         | -  | -                                 |  |  |  |  |  |  |  |          |
| 95               | 4016 Church St., Skokie IL (WB)      | CB             | -                           | -                                | -                     | -                          | 3                         | -  | -                                 |  |  |  |  |  |  |  |          |
| 96               | 4016.5 Church St., Skokie IL (WB)    | CB             | -                           | -                                | -                     | -                          | 2                         | -  | -                                 |  |  |  |  |  |  |  |          |
| 97               | 4030 Church St @ W Keystone Ave (WB) | CB             | -                           | -                                | -                     | -                          | 3                         | -  | -                                 |  |  |  |  |  |  |  |          |
| 98               | 4050 Church St., Skokie IL (WB)      | CB             | -                           | -                                | -                     | -                          | 6                         | 10                                       | -                                 |  |  |  |  |  |  |  |          |
| 99               | 4106 Church St., Skokie IL (WB)      | CB             | -                           | -                                | -                     | -                          | 3                         | -  | -                                 |  |  |  |  |  |  |  |          |
| 100              | 4118 Church St., Skokie IL (WB)      | CB             | -                           | 1                                | -                     | -                          | 3                         | 10                                       | -                                 |  |  |  |  |  |  |  |          |
| <b>SUB-TOTAL</b> |                                      |                | 1                           | 2                                | 0                     | 0                          | 84                        | 60                                       | 0                                 |  |  |  |  |  |  |  |          |

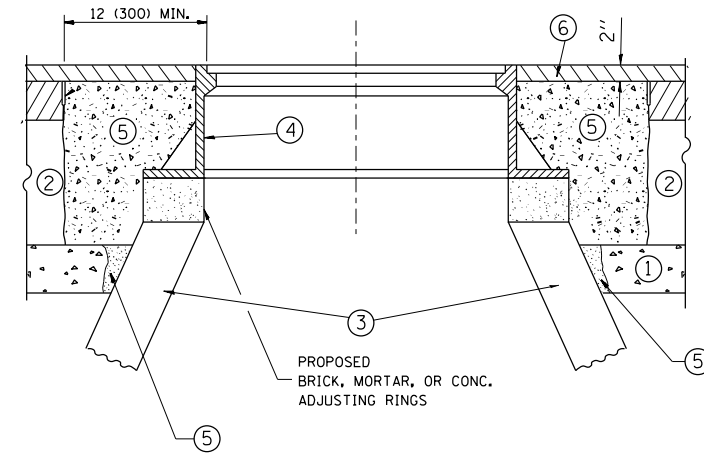


## SCHEDULE

| NO.              | LOCATION                          | STRUCTURE TYPE | 60250200                    | 60252800                         | 60260100              | 60262700                   | X1200048                  | Z0004562                                 | Z0018500                          |  |  |  |  |  |  |  | COMMENTS |
|------------------|-----------------------------------|----------------|-----------------------------|----------------------------------|-----------------------|----------------------------|---------------------------|--|-----------------------------------|--|--|--|--|--|--|--|----------|
|                  |                                   |                | CATCH BASINS TO BE ADJUSTED | CATCH BASINS TO BE RECONSTRUCTED | INLETS TO BE ADJUSTED | INLETS TO BE RECONSTRUCTED | DRAINAGE STRUCTURE LINING | Combination CC&G Removal and Replacement | DRAINAGE STRUCTURES TO BE CLEANED |  |  |  |  |  |  |  |          |
|                  |                                   |                | EACH                        | EACH                             | EACH                  | EACH                       | LF                        | FOOT                                     | EACH                              |  |  |  |  |  |  |  |          |
| 101              | Church St. @ ( 9200 Kedale Ave )  | CB             | -                           | -                                | -                     | -                          | 3                         | -  | -                                 |  |  |  |  |  |  |  |          |
| 102              | 4152 Church St., Skokie IL (WB)   | CB             | -                           | -                                | -                     | -                          | 3                         | -  | -                                 |  |  |  |  |  |  |  |          |
| 103              | Church St. At Keeler Ave (WB)     | CB             | -                           | -                                | -                     | -                          | 3                         | -  | -                                 |  |  |  |  |  |  |  |          |
| 104              | 4206 Church St., Skokie IL (WB)   | CB             | -                           | -                                | -                     | -                          | 10                        | -  | -                                 |  |  |  |  |  |  |  |          |
| 105              | 4216 Church St., Skokie IL (WB)   | CB             | -                           | -                                | -                     | -                          | 10                        | 10                                       | -                                 |  |  |  |  |  |  |  |          |
| 106              | Church St Past Tripp Ave (WB)     | CB             | -                           | -                                | -                     | -                          | 10                        | 10                                       | -                                 |  |  |  |  |  |  |  |          |
| 107              | Church St Past Kildare Ave (WB)   | CB             | -                           | -                                | -                     | -                          | 6                         | -  | -                                 |  |  |  |  |  |  |  |          |
| 108              | 4324 Church St., Skokie IL (WB)   | CB             | -                           | -                                | -                     | -                          | 6                         | -  | -                                 |  |  |  |  |  |  |  |          |
| 109              | Church St Past Lowell Ave (WB)    | CB             | -                           | 1                                | -                     | -                          | 6                         | 10                                       | -                                 |  |  |  |  |  |  |  |          |
| 110              | 4348 Church St., Skokie IL (WB)   | CB             | -                           | -                                | -                     | -                          | 6                         | -  | -                                 |  |  |  |  |  |  |  |          |
| 111              | Church St Past Kostner Ave (WB)   | CB             | -                           | -                                | -                     | -                          | 6                         | -  | -                                 |  |  |  |  |  |  |  |          |
| 112              | Church St Before Kenneth Ave (WB) | CB             | -                           | -                                | -                     | -                          | 6                         | -  | -                                 |  |  |  |  |  |  |  |          |
| 113              | Church St Past Kenneth Ave (WB)   | CB             | -                           | -                                | -                     | -                          | 6                         | -  | -                                 |  |  |  |  |  |  |  |          |
| 114              | 4446 Church St., Skokie IL (WB)   | CB             | -                           | -                                | -                     | -                          | 6                         | -  | -                                 |  |  |  |  |  |  |  |          |
| 115              | Church St Past Kilbourn Ave (WB)  | CB             | -                           | -                                | -                     | -                          | 6                         | -  | -                                 |  |  |  |  |  |  |  |          |
| 116              | 4516 Church St., Skokie IL (WB)   | CB             | -                           | 1                                | -                     | -                          | 6                         | 10                                       | -                                 |  |  |  |  |  |  |  |          |
| 117              | Church St Past Kolmar Ave (WB)    | CB             | -                           | -                                | -                     | -                          | 6                         | -  | -                                 |  |  |  |  |  |  |  |          |
| 118              | 4554 Church St., Skokie IL (WB)   | CB             | -                           | -                                | -                     | -                          | 4                         | -  | -                                 |  |  |  |  |  |  |  |          |
| 119              | 4600 Church St., Skokie IL (WB)   | CB             | -                           | -                                | -                     | -                          | 6                         | -  | -                                 |  |  |  |  |  |  |  |          |
| 120              | 4636 Church St., Skokie IL (WB)   | CB             | -                           | -                                | -                     | -                          | 6                         | -  | -                                 |  |  |  |  |  |  |  |          |
| <b>SUB-TOTAL</b> |                                   |                | 0                           | 2                                | 0                     | 0                          | 121                       | 40                                       | 0                                 |  |  |  |  |  |  |  |          |

## SCHEDULE

| NO.         | LOCATION                          | STRUCTURE TYPE | 60250200                    | 60252800                         | 60260100              | 60262700                   | X1200048                  | Z0004562                                 | Z0018500                          |  |  |  |  |  |  |  | COMMENTS |
|-------------|-----------------------------------|----------------|-----------------------------|----------------------------------|-----------------------|----------------------------|---------------------------|--|-----------------------------------|--|--|--|--|--|--|--|----------|
|             |                                   |                | CATCH BASINS TO BE ADJUSTED | CATCH BASINS TO BE RECONSTRUCTED | INLETS TO BE ADJUSTED | INLETS TO BE RECONSTRUCTED | DRAINAGE STRUCTURE LINING | Combination CC&G Removal and Replacement | DRAINAGE STRUCTURES TO BE CLEANED |  |  |  |  |  |  |  |          |
|             |                                   |                | EACH                        | EACH                             | EACH                  | EACH                       | LF                        | FOOT                                     | EACH                              |  |  |  |  |  |  |  |          |
| 121         | 4646 Church St., Skokie IL (WB)   | CB             | -                           | -                                | -                     | -                          | -                         | -  | 1                                 |  |  |  |  |  |  |  |          |
| 122         | 4650 Church St., Skokie IL (WB)   | CB             | -                           | -                                | -                     | -                          | -                         | -  | 1                                 |  |  |  |  |  |  |  |          |
| 123         | 4656 Church St., Skokie IL (WB)   | CB             | -                           | -                                | -                     | -                          | -                         | 10                                       | 1                                 |  |  |  |  |  |  |  |          |
| 124         | 4704 Church St., Skokie IL (WB)   | CB             | -                           | -                                | -                     | -                          | -                         | -  | 1                                 |  |  |  |  |  |  |  |          |
| 125         | 4712 Church St., Skokie IL (WB)   | CB             | -                           | -                                | -                     | -                          | -                         | -  | 1                                 |  |  |  |  |  |  |  |          |
| 126         | 4718 Church St., Skokie IL (WB)   | CB             | -                           | -                                | -                     | -                          | -                         | -  | 1                                 |  |  |  |  |  |  |  |          |
| 127         | Church St Before Keating Ave (WB) | CB             | -                           | -                                | -                     | -                          | -                         | -  | 1                                 |  |  |  |  |  |  |  |          |
| 128         | 4730 Church St., Skokie IL (WB)   | CB             | -                           | -                                | -                     | -                          | -                         | -  | 1                                 |  |  |  |  |  |  |  |          |
| 129         | 4740 A Church St., Skokie IL (WB) | CB             | -                           | -                                | -                     | -                          | -                         | -  | 1                                 |  |  |  |  |  |  |  |          |
| SUB-TOTAL   |                                   |                | 0                           | 0                                | 0                     | 0                          | 0                         | 10                                       | 9                                 |  |  |  |  |  |  |  |          |
| Grand Total |                                   |                | 1                           | 6                                | 5                     | 4                          | 417                       | 320                                      | 37                                |  |  |  |  |  |  |  |          |



**NOTES:**

EXISTING BROKEN FRAMES AND LIDS SHALL BE REMOVED AND DISPOSED OF BY THE CONTRACTOR AND SHALL BE REPLACED AS DIRECTED BY THE ENGINEER.

NEW FRAMES AND LIDS, WHEN SPECIFIED, WILL BE PAID FOR SEPARATELY.

WHEN STRUCTURES ARE TO BE ADJUSTED OR RECONSTRUCTED, THE LOWERING AND RAISING OF THE FRAMES AND LIDS WILL NOT BE PAID FOR SEPARATELY BUT WILL BE INCLUDED IN THE COST OF THE CORRESPONDING PAY ITEM.

**LEGEND**

- ① SUB-BASE GRANULAR MATERIAL
- ② EXISTING PAVEMENT
- ③ EXISTING STRUCTURE
- ④ FRAME AND LID (SEE NOTES)
- ⑤ CLASS PP-1\* CONCRETE
- ⑥ PROPOSED HMA SURFACE COURSE MIX "D", N70

**DETAILS FOR FRAMES AND LIDS ADJUSTMENT  
DETAIL**

ALL DIMENSIONS ARE IN INCHES (MILLIMETERS) UNLESS OTHERWISE SHOWN

|  |                               |                    |                                |
|--|-------------------------------|--------------------|--------------------------------|
| FILE NAME =  | USER NAME = saintwlch         | DESIGNED - R. SHAH | REVISED - R. WIEDEMAN 05-14-04 |
| p:\11\084EBIDINTEG.illinois.gov\PIWIDOT\Documents\DOT Offices\District 1\Projects\DI2014\Drawings\Design\Diststd.dgn |                               |                    | REVISED - R. BORO 01-01-07     |
|  | PLOT SCALE = 100.0000' / 1in. | CHECKED -          | REVISED - R. BORO 03-09-11     |
|  | PLOT DATE = 4/20/2017         | DATE - 10-25-94    | REVISED - R. BORO 12-06-11     |

**STATE OF ILLINOIS  
DEPARTMENT OF TRANSPORTATION**

**DETAILS FOR  
FRAMES AND LIDS ADJUSTMENT**

SCALE: NONE SHEET NO. 1 OF 1 SHEETS STA. TO STA.

| F.A.U. RTE.                                       | SECTION    | COUNTY | TOTAL SHEETS              | SHEET NO. |
|---|------------|--------|---------------------------|-----------|
| 1313  | 2017-008-T | COOK   | 15                        | 11        |
| FED. ROAD DIST. NO. 1   ILLINOIS FED. AID PROJECT |            |        | <b>CONTRACT NO. 62F05</b> |           |

VARIABLE - TO MEET EXISTING DIMENSIONS AND FIELD CONDITIONS (SEE NOTE ②)

PROP. CONC. CURB OR CURB AND GUTTER REPLACEMENT IN ACCORDANCE WITH STATE STANDARD 606001. (SEE NOTE ②)

SAW CUT FULL DEPTH - INCLUDED IN THE COST OF SIDEWALK, DRIVEWAY OR MEDIAN SURFACE REMOVAL PAY ITEM.

SEE STATE STANDARD 606001  
EXISTING OR PROPOSED HMA SURFACE (IF APPLICABLE)

18" (450) MAX.

1/4" (5) \*\*

EXISTING SIDEWALK, DRIVEWAY, MEDIAN SURFACE, SOD OR GROUND.

PROPOSED SIDEWALK, DRIVEWAY PAVEMENT, MEDIAN SURFACE OR SODDING SALT TOLERANT WITH TOP SOIL, 4" (100) SOD RESTORATION (SEE NOTE ①).

EXISTING CONCRETE PAVEMENT, CONCRETE BASE COURSE OR FLEXIBLE PAVEMENT

3" (75) MIN.

SUITABLE BACKFILL MATERIAL (INCLUDED IN THE COST OF CURB OR CURB AND GUTTER REMOVAL AND REPLACEMENT)

PROPOSED 3/4" (20) PREFORMED EXPANSION JOINT AT CONCRETE SIDEWALKS, DRIVEWAYS, AND MEDIANS. (INCLUDED IN THE COST OF CURB OR CURB AND GUTTER REMOVAL AND REPLACEMENT.)

\* 3" (75) MINIMUM FROM TOP AND BOTTOM OF THE CONCRETE PAVEMENT OR BASE COURSE.

\*\* IF THE FINAL SURFACE OF THE PAVEMENT IS CONCRETE, THE GUTTER IS TO BE FLUSH WITH THE PAVEMENT.

UNSUITABLE SUB-BASE MATERIAL TO BE REMOVED, IF DIRECTED BY THE ENGINEER, SHALL BE REPLACED WITH EITHER SUB-BASE GRANULAR MATERIAL, TYPE B OR ADDITIONAL THICKNESS OF CONCRETE.

REMOVAL AND REPLACEMENT 4" (100) OR LESS IS INCLUDED IN THE COST OF CURB OR CURB AND GUTTER REMOVAL AND REPLACEMENT.

REMOVAL AND REPLACEMENT IN EXCESS OF 4" (100) WILL BE PAID FOR IN ACCORDANCE WITH ARTICLE 109.04 OF THE STANDARD SPECIFICATIONS.

NOTE: ① SIDEWALK, DRIVEWAY PAVEMENT OR MEDIAN SURFACE SHALL BE SIMILAR TO THE MATERIAL BEING REMOVED AND WILL BE PAID FOR SEPARATELY.

SODDING, SALT TOLERANT AND TOP SOIL, FURNISH AND PLACE 4" WILL BE PAID FOR SEPARATELY.

② FERTILIZER FOR THE PLACEMENT OF THE SOD IS NOT REQUIRED

③ CURB OR CURB AND GUTTER REPLACEMENT SHALL MATCH THE SHAPE OF THE EXISTING CURB OR CURB AND GUTTER UNLESS OTHERWISE SPECIFIED.

④ FOR CURB OR CURB AND GUTTER REMOVAL AND REPLACEMENT ADJACENT TO FLEXIBLE PAVEMENT DELETE EPOXY COATED TIE BARS.

⑤ LONGITUDINAL BARS, IF ENCOUNTERED IN THE EXISTING CURB OR CURB AND GUTTER, ARE NOT TO BE REPLACED. CUTTING AND REMOVING LONGITUDINAL BARS SHALL BE INCLUDED IN THE COST OF CURB OR CURB AND GUTTER REMOVAL AND REPLACEMENT.

⑥ THE COST OF HMA SURFACE REMOVAL IN THE EXISTING GUTTER FLAG SHALL BE INCLUDED IN THE COST OF THE CURB AND GUTTER REMOVAL AND REPLACEMENT.

⑦ THE REMOVAL AND REPLACEMENT OF THE EXISTING CURB OR CURB AND GUTTER SHALL BE DONE IN ACCORDANCE WITH THE APPLICABLE PORTIONS OF SECTION 440 AND 606 OF THE STANDARD SPECIFICATIONS.

⑧ THE LOCATIONS OF REMOVAL AND REPLACEMENT OF EXISTING CURB OR CURB AND GUTTER SHALL BE DETERMINED BY THE RESIDENT ENGINEER AT THE TIME OF CONSTRUCTION.

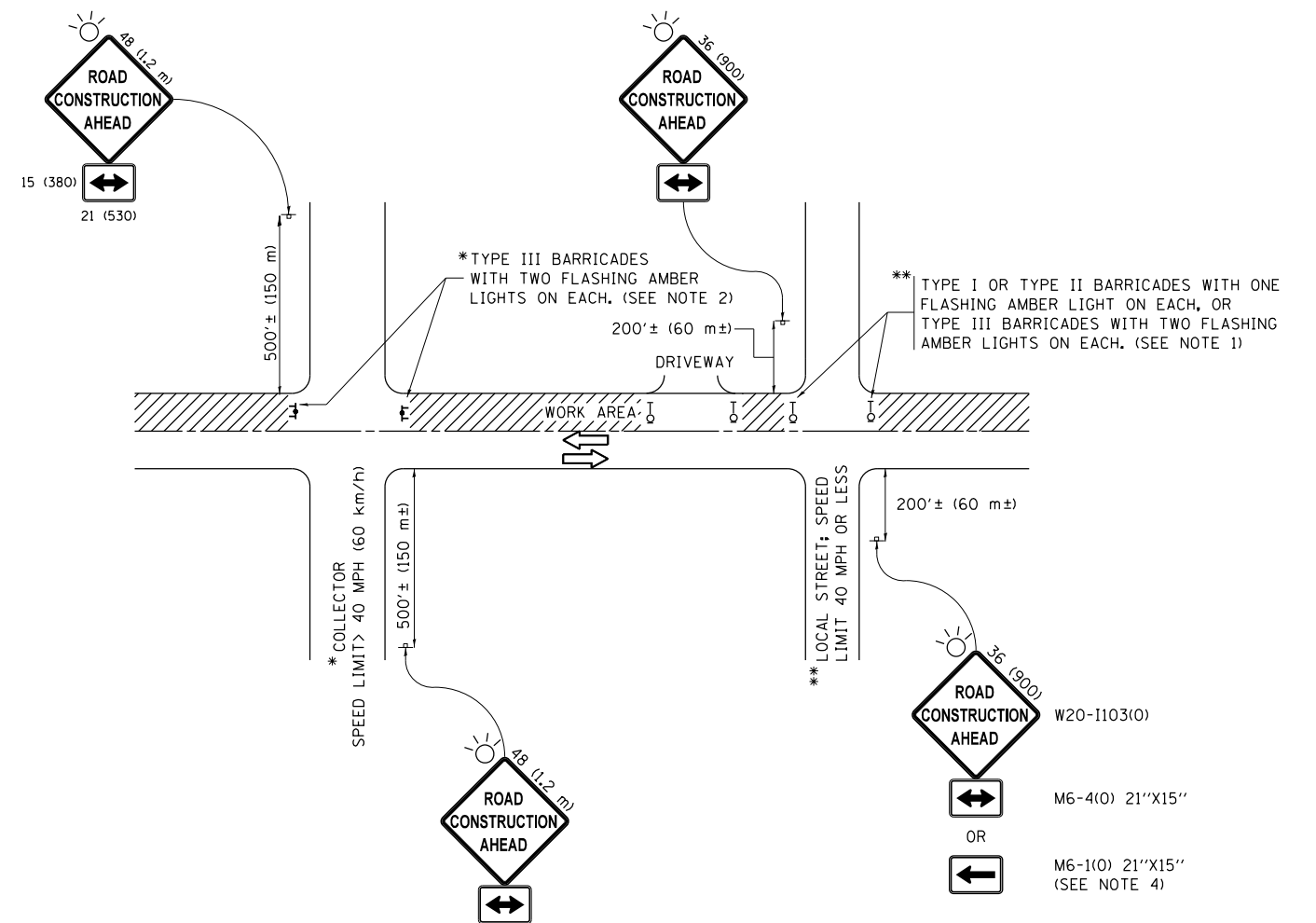
PROPOSED #6 (20) EPOXY COATED TIE BARS 24" (600) LONG AT 24" (600) CENTERS WILL NOT BE PAID FOR SEPARATELY. DELETE EPOXY COATED TIE BARS IF EXISTING TIE BARS ARE USABLE AS DETERMINED BY THE ENGINEER. (SEE NOTE ③).

BASIS OF PAYMENT:  
THIS WORK WILL BE PAID FOR AT THE CONTRACT UNIT PRICE PER FOOT (METER) FOR "CURB REMOVAL AND REPLACEMENT" OR "COMBINATION CONCRETE CURB AND GUTTER REMOVAL AND REPLACEMENT".

# CURB OR CURB AND GUTTER REMOVAL AND REPLACEMENT

ALL DIMENSIONS ARE IN INCHES (MILLIMETERS) UNLESS OTHERWISE SHOWN.

|   |                       |                             |                             |   |  |                         |            |                           |              |   |
|---|-----------------------|-----------------------------|-----------------------------|---|--|-------------------------|------------|---------------------------|--------------|---|
| FILE NAME =   | USER NAME = s01ntwlch | DESIGNED - A. HOUSEH        | REVISED - R. SHAH 10-03-96  | <b>STATE OF ILLINOIS<br/>DEPARTMENT OF TRANSPORTATION</b> | <b>CURB OR CURB AND GUTTER<br/>REMOVAL AND REPLACEMENT</b> | F.A.U. RTÉ.             | SECTION    | COUNTY                    | TOTAL SHEETS | SHEET NO.   |
| pw\11084EBIDINTEG.illinois.gov\PIWIDOT\Documents\DOT Offices\District 1\Projects\DI2044\Drawings\Design\Diststd.dgn |                       | REVISIONS                   | REVISED - A. ABBAS 03-21-97 |   |  | 1313                    | 2017-008-T | COOK                      | 19           | 12  |
| PLOT SCALE = 100.0000' / 1in.   | CHECKED -             | REVISED - M. GOMEZ 01-22-01 |                             |   |  | <b>BD600-06 (BD-24)</b> |            | <b>CONTRACT NO. 62F05</b> |              |   |
| PLOT DATE = 4/20/2017   | DATE - 03-11-94       | REVISED - R. BORO 12-15-09  | SCALE: NONE                 |   |  | SHEET NO. 1 OF 1 SHEETS | STA.       | TO STA.                   |              | FED. ROAD DIST. NO. 1   ILLINOIS FED. AID PROJECT |



**NOTES:**

1. SIDE ROAD WITH A SPEED LIMIT OF 40 MPH (60 km/h) OR LESS AS SHOWN ON THE DRAWING AND AS DIRECTED BY THE ENGINEER:
  - a) ONE "ROAD CONSTRUCTION AHEAD" SIGN 36 x 36 (900x900) WITH A FLASHER MOUNTED ON IT APPROXIMATELY 200' (60 m) IN ADVANCE OF THE MAIN ROUTE.
  - b) THE CLOSED PORTION OF THE MAIN ROUTE SHALL BE PROTECTED BY BLOCKING WITH TYPE I, TYPE II OR TYPE III BARRICADES, 1/3 OF THE CROSS SECTION OF THE CLOSED PORTION.
2. SIDE ROAD WITH A SPEED LIMIT GREATER THAN 40 MPH (60 km/h) AS SHOWN ON THE DRAWING AND AS DIRECTED BY THE ENGINEER:
  - a) ONE "ROAD CONSTRUCTION AHEAD" SIGN 48 x 48 (1.2 m x 1.2 m) WITH A FLASHER MOUNTED ON IT APPROXIMATELY 500' (150 m) IN ADVANCE OF THE MAIN ROUTE.
  - b) THE CLOSED PORTION OF THE MAIN ROUTE SHALL BE PROTECTED BY BLOCKING WITH TYPE III BARRICADES, 1/2 OF THE CROSS SECTION OF THE CLOSED PORTION.
3. CONES MAY BE SUBSTITUTED FOR BARRICADES OR DRUMS AT HALF THE SPACING DURING DAY OPERATIONS. CONES SHALL BE A MINIMUM OF 28 (710) IN HEIGHT.
4. WHEN THE SIDE ROAD LIES BETWEEN THE BEGINNING OF THE MAINLINE SIGNING AND THE WORK ZONE, A SINGLE HEADED ARROW (M6-1) SHALL BE USED IN LIEU OF THE DOUBLE HEADED ARROW (M6-4).
5. WHEN WORK IS BEING PERFORMED ON A SIDE ROAD OR DRIVEWAY, FOLLOW THE APPLICABLE STANDARD(S). THE DIRECTIONAL ARROW (M6-1 OR M6-4) SHALL BE COVERED OR REMOVED WHEN NO LONGER CONSISTENT WITH THE TRAFFIC CONTROL SET-UP.
6. ADVANCE WARNING SIGNS ARE TO BE OMITTED ON DRIVEWAYS UNLESS OTHERWISE SPECIFIED IN THE PLANS OR BY THE ENGINEER.
7. THE TRAFFIC CONTROL AND PROTECTION FOR SIDE ROADS, INTERSECTIONS, AND DRIVEWAYS SHALL BE INCLUDED IN THE COST OF SPECIFIED TRAFFIC CONTROL STANDARDS OR ITEMS.

All dimensions are in inches (millimeters) unless otherwise shown.

|  |                              |                   |                                 |
|--|------------------------------|-------------------|---------------------------------|
| FILE NAME =  | USER NAME = saintwilch       | DESIGNED - L.H.A. | REVISED - A. HOUSEH 10-15-96    |
| p:\11\084EBIDINTEG\Illinois.gov\PWIDOT\Documents\IDOT Offices\District 1\Projects\DI2014\Drawings\Design\Diststd.dgn |                              |                   | REVISED - T. RAMMACHER 01-06-00 |
| Default  | PLOT SCALE = 100.0006' / in. | CHECKED -         | REVISED - A. SCHUETZE 07-01-13  |
|  | PLOT DATE = 4/20/2017        | DATE - 06-89      | REVISED - A. SCHUETZE 09-15-16  |

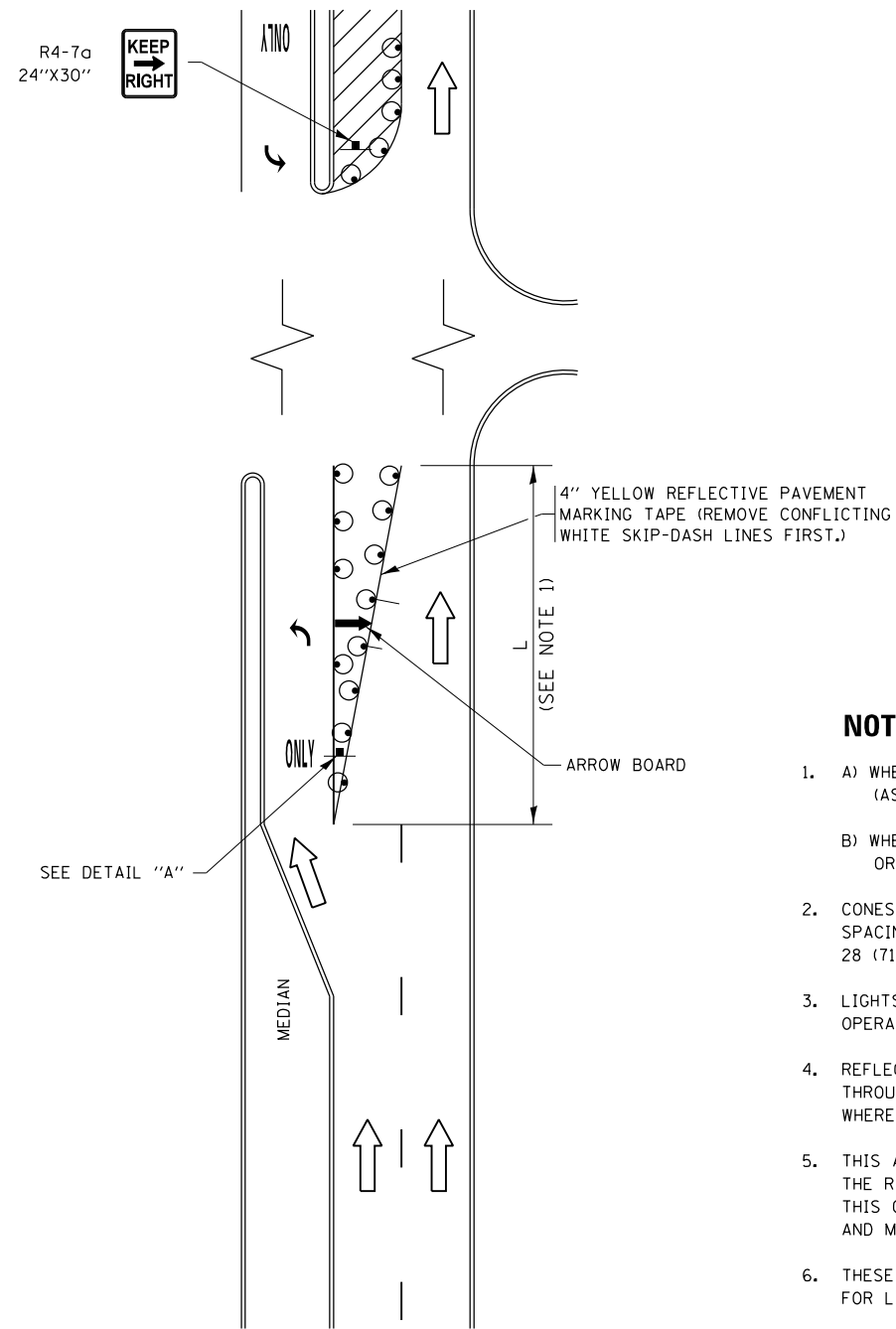
**STATE OF ILLINOIS  
DEPARTMENT OF TRANSPORTATION**

**TRAFFIC CONTROL AND PROTECTION FOR  
SIDE ROADS, INTERSECTIONS, AND DRIVEWAYS**

SCALE: NONE SHEET 1 OF 1 SHEETS STA. TO STA.

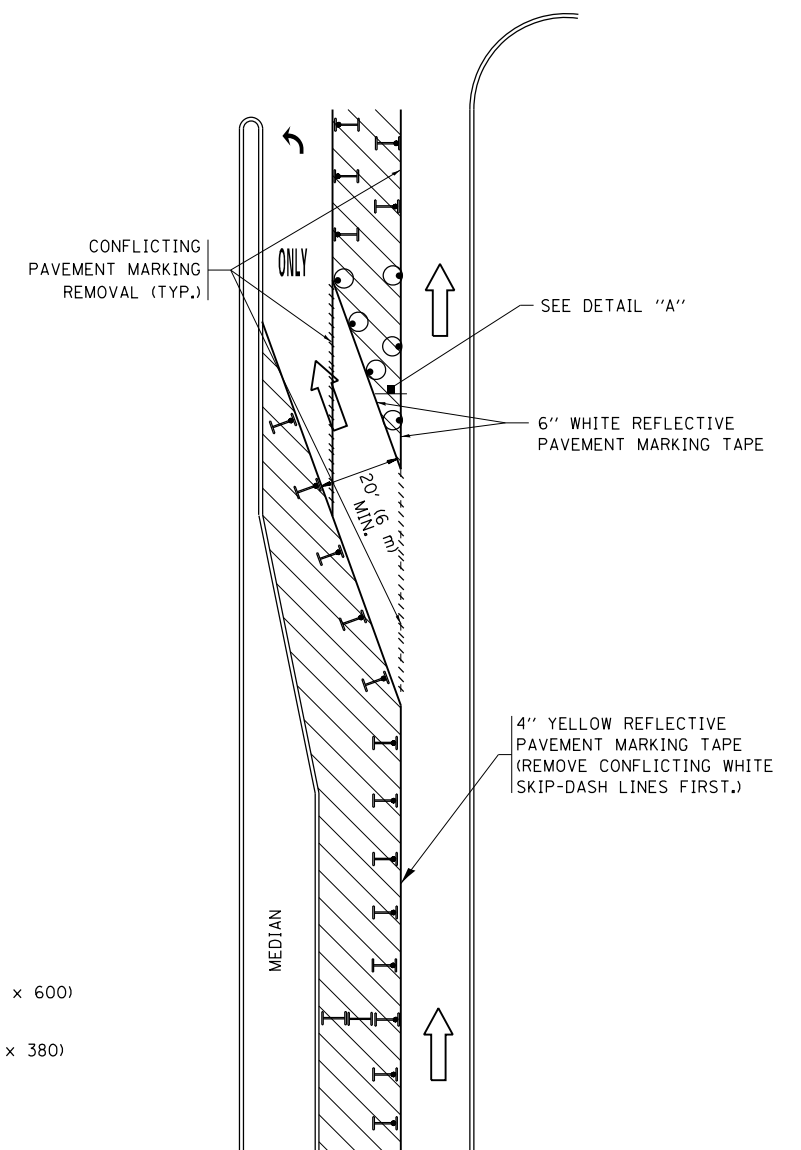
| F.A.U. RTE.               | SECTION    | COUNTY | TOTAL SHEETS              | SHEET NO. |
|---------------------------|------------|--------|---------------------------|-----------|
| 1313                      | 2017-008-T | COOK   | 13                        | 13        |
| <b>TC-10</b>              |            |        | <b>CONTRACT NO. 62F05</b> |           |
| ILLINOIS FED. AID PROJECT |            |        |                           |           |

# TURN BAY ENTRANCE AT START OF LANE CLOSURE TAPER

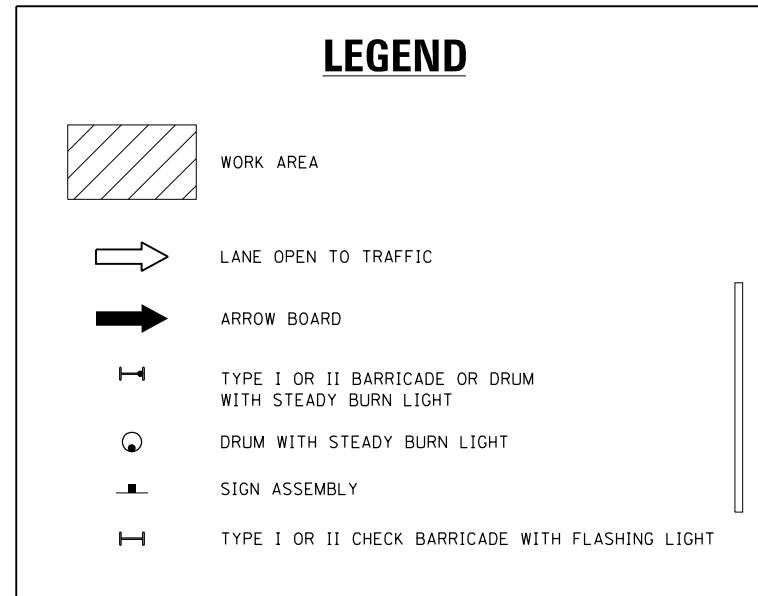


**FIGURE 1**

# TURN BAY ENTRANCE WITHIN A LANE CLOSURE

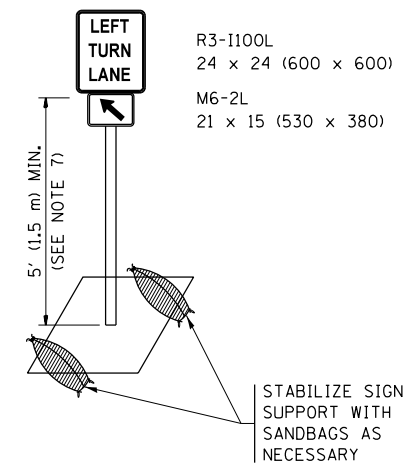


**FIGURE 2**



### NOTES:

1. A) WHEN "L" IS  $\leq$  THE STORAGE LENGTH OF THE TURN LANE (AS SHOWN IN FIG. 1), USE FIGURE 1.  
B) WHEN "L" IS  $>$  THE STORAGE LENGTH OF THE TURN LANE OR THE TURN LANE IS WITHIN THE LANE CLOSURE, USE FIGURE 2.
2. CONES MAY BE SUBSTITUTED FOR BARRICADES OR DRUMS AT HALF THE SPACING DURING DAY OPERATIONS. CONES SHALL BE A MINIMUM OF 28 (710) IN HEIGHT.
3. LIGHTS WILL NOT BE REQUIRED ON BARRICADES OR DRUMS FOR DAY OPERATIONS. ALL LIGHTS SHALL BE MONODIRECTIONAL.
4. REFLECTIVE TEMPORARY PAVEMENT MARKINGS SHALL BE PLACED THROUGHOUT THE BARRICADED AREAS OF EACH TURN BAY AS SHOWN WHERE THE CLOSURE TIME IS GREATER THAN FOURTEEN (14) DAYS.
5. THIS APPLICATION ALSO APPLIES WHEN WORK IS BEING PERFORMED IN THE RIGHT LANE(S) AND THE RIGHT TURN BAY IS TO REMAIN OPEN. UNDER THIS CONDITION, "RIGHT TURN LANE" R3-1100R 24 x 24 (600 x 600) AND M6-2R 21 x 15 (530 x 380) SHALL BE USED.
6. THESE CONTROLS SHALL SUPPLEMENT MAINLINE TRAFFIC CONTROL FOR LANE CLOSURES.
7. THE SIGNS SHALL BE MOUNTED ABOVE THE BARRICADES/DRUMS ON SEPARATE SIGN SUPPORTS THAT MEET NCHRP 350 OR MASH PREQUIREMENTS.
8. TRAFFIC CONTROL AND PROTECTION AT TURN BAYS (TO REMAIN OPEN TO TRAFFIC) SHALL BE INCLUDED IN THE COST OF SPECIFIED TRAFFIC CONTROL STANDARDS OR ITEMS.

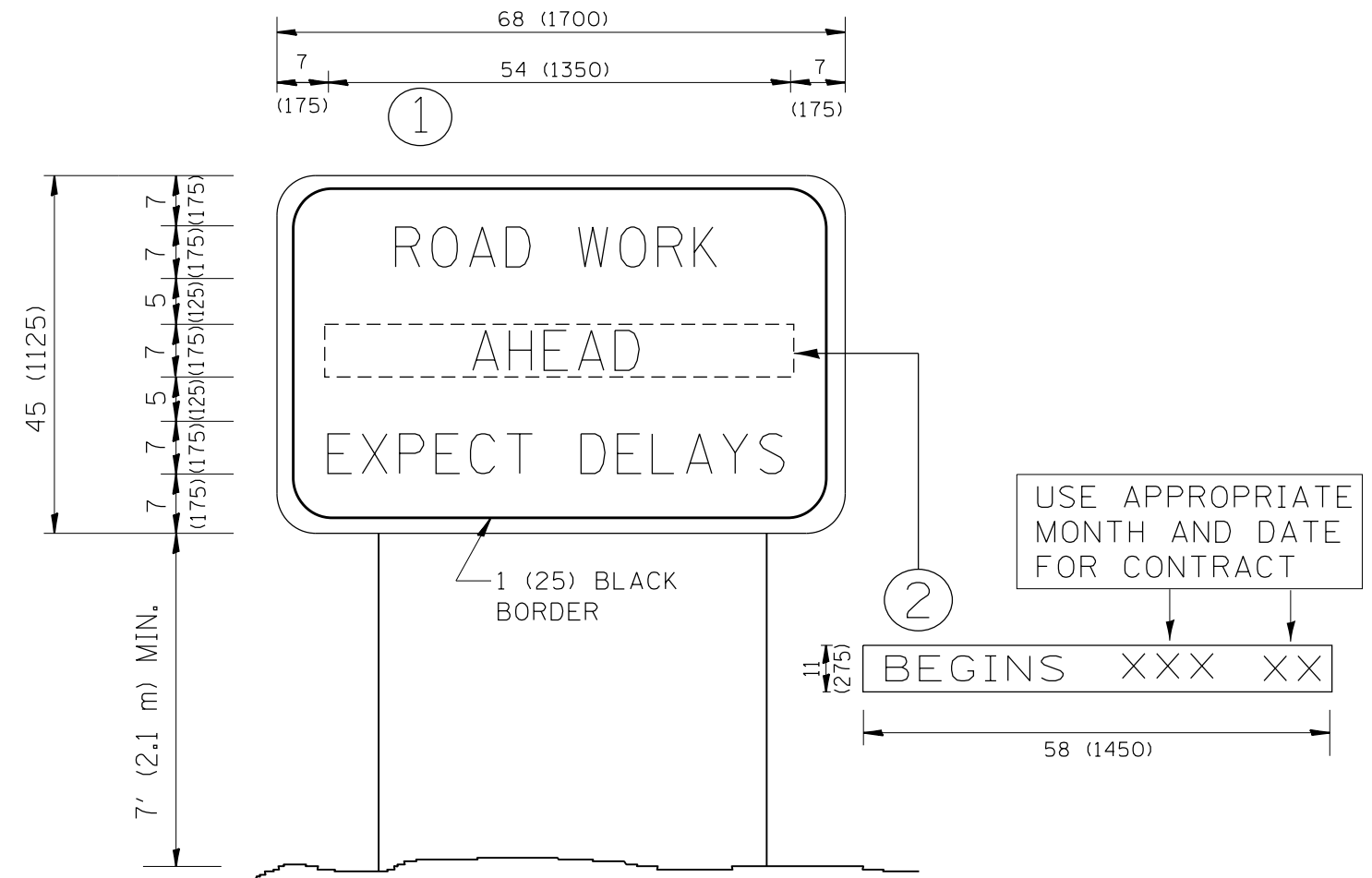


**DETAIL A**

All dimensions are in inches (millimeters) unless otherwise shown.

|   |                              |                                 |                                |   |  |               |            |                           |              |              |
|---|------------------------------|---------------------------------|--------------------------------|---|--|---------------|------------|---------------------------|--------------|--------------|
| FILE NAME =   | USER NAME = sornvilch        | REVISED - T. RAMMACHER 09-08-94 | REVISED - R. BORO 09-14-09     | <b>STATE OF ILLINOIS<br/>DEPARTMENT OF TRANSPORTATION</b> | <b>TRAFFIC CONTROL AND PROTECTION AT TURN BAYS<br/>(TO REMAIN OPEN TO TRAFFIC)</b> | F.A.U. R.T.E. | SECTION    | COUNTY                    | TOTAL SHEETS | SHEET NO.    |
| pw:\IL\084EBIDINTEG\illinois.gov\PIDOT\Documents\IDOT Offices\District 1\Projects\DI2044\REVISED Design\HOUSEH 11-07-95 | REVISED - A. HOUSEH 11-07-95 | REVISED - A. SCHUETZE 07-01-13  | REVISED - A. SCHUETZE 07-01-13 |   |  | 1313          | 2017-008-T | COOK                      | 15           | 14           |
| Default   | PLOT SCALE = 100.0006' / in. | REVISED - A. HOUSEH 10-12-96    | REVISED - A. SCHUETZE 09-15-16 |   |  | <b>TC-14</b>  |            | <b>CONTRACT NO. 62F05</b> |              |              |
|   | PLOT DATE = 4/20/2017        | REVISED - T. RAMMACHER 01-06-00 | REVISED -                      |   |  | SCALE: NONE   |            | SHEET 1 OF 1 SHEETS       |              | STA. TO STA. |

ILLINOIS FED. AID PROJECT



**NOTES:**

1. USE BLACK LETTERING ON ORANGE BACKGROUND.
2. ERECT SIGNS IN ADVANCE OF THE LOCATION FOR THE "ROAD CONSTRUCTION AHEAD" SIGN AT LOCATIONS AS DIRECTED BY THE ENGINEER.
3. ERECT SIGN ① WITH INSTALLED PANEL ② ONE WEEK PRIOR TO THE START OF CONSTRUCTION.
4. REMOVE PANEL ② SOON AFTER THE START OF CONSTRUCTION.
5. SEE SPECIAL PROVISION FOR "TEMPORARY INFORMATION SIGNING" FOR ADDITIONAL INFORMATION.
6. ONE SIGN ASSEMBLY EQUALS 25.70 SQ. FT. (2.3 SQ. M.)
7. SHALL BE PAID FOR AS TEMPORARY INFORMATION SIGNING.

ALL DIMENSIONS ARE IN INCHES (MILLIMETERS) UNLESS OTHERWISE SHOWN.

|  |                        |                              |                                 |
|--|------------------------|------------------------------|---------------------------------|
| FILE NAME =  | USER NAME = saintwlich | DESIGNED -                   | REVISED - R. MIRS 09-15-97      |
| p:\11\084EBIDINTEG.illinois.gov\PIWIDOT\Documents\DOT Offices\District 1\Projects\DI2014\Drawings\Design\Diststd.dgn |                        | CHECKED -                    | REVISED - R. MIRS 12-11-97      |
|  |                        | PLOT SCALE = 100.0006' / in. | REVISED - T. RAMMACHER 02-02-99 |
|  |                        | DATE -                       | REVISED - C. JUCIUS 01-31-07    |

**STATE OF ILLINOIS  
DEPARTMENT OF TRANSPORTATION**

**ARTERIAL ROAD  
INFORMATION SIGN**

SCALE: NONE SHEET NO. 1 OF 1 SHEETS STA. TO STA.

| F.A.U. RTE.                                       | SECTION    | COUNTY             | TOTAL SHEETS | SHEET NO. |
|---|------------|--------------------|--------------|-----------|
| 1313  | 2017-008-T | COOK               | 15           | 15        |
| TC-22   |            | CONTRACT NO. 62F05 |              |           |
| FED. ROAD DIST. NO. 1   ILLINOIS FED. AID PROJECT |            |                    |              |           |