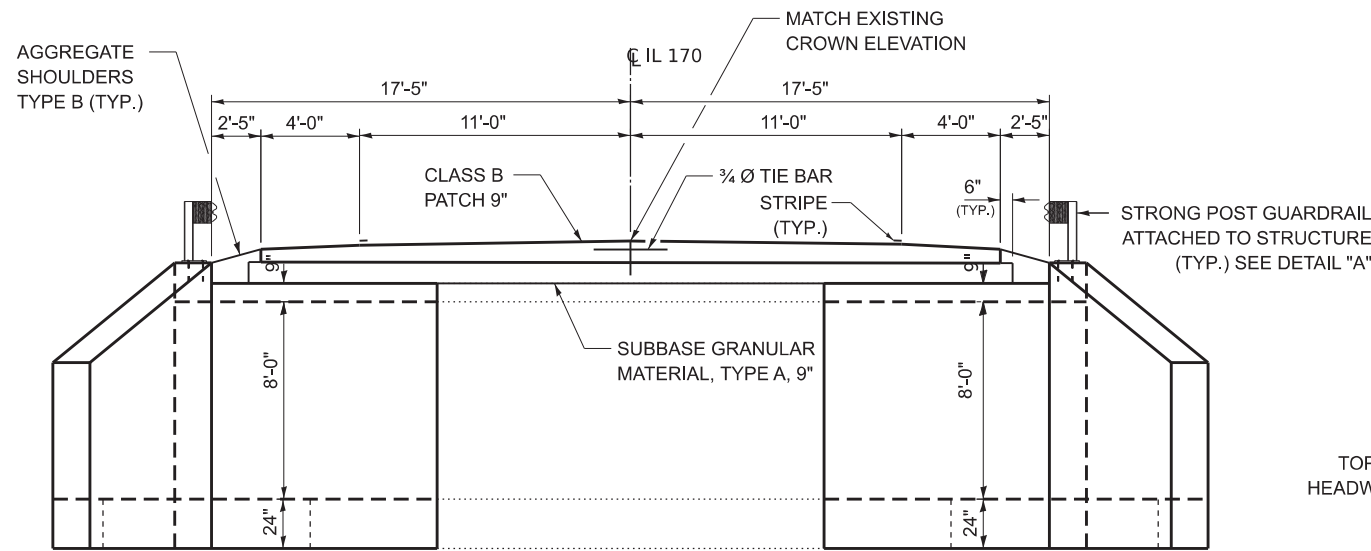
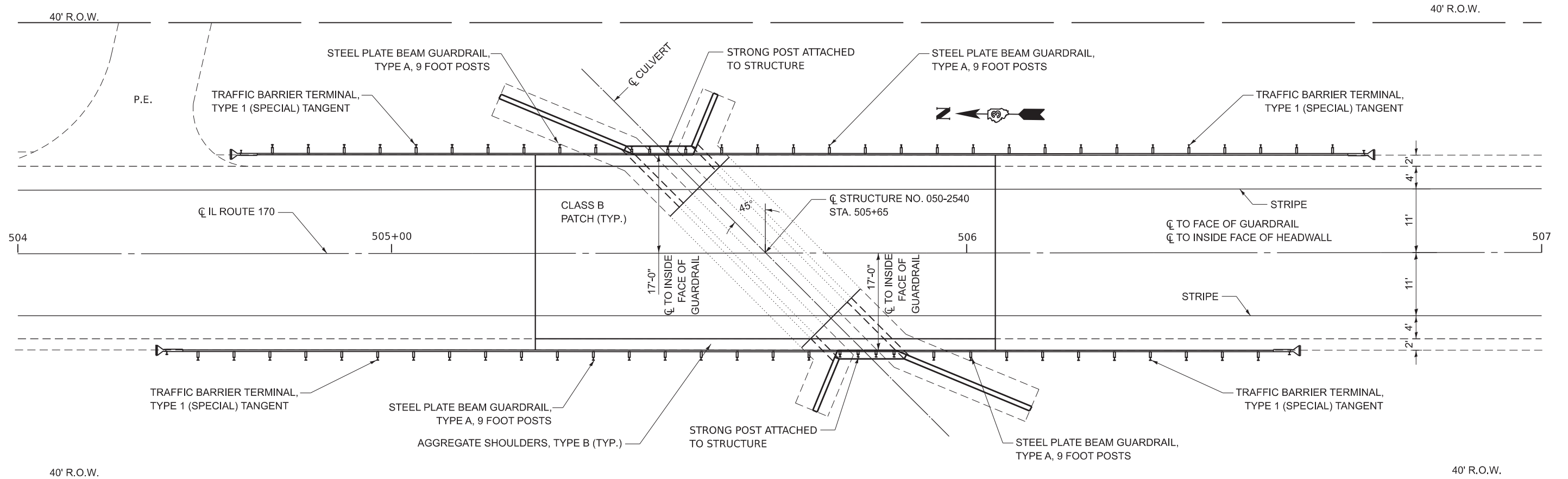
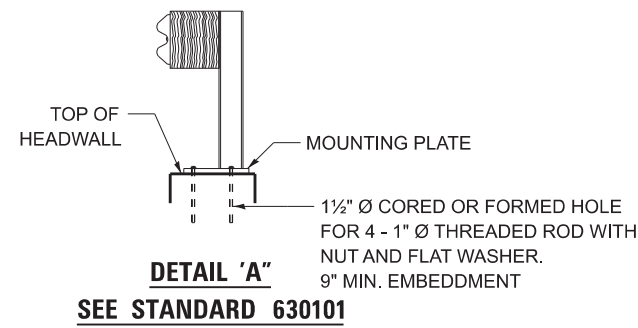


B.M. #1 HEAD OF 60D NAIL IN SOUTH SIDE OF POWER POLE  
 SOUTHEAST CORNER IL 10 AND 1724 E. 29th RD. ELEVATION 654.09



**CROSS SECTION**  
**STRUCTURE NO. 050-2540**

AT RT. Δ'S TO CL ROADWAY  
 LOOKING SOUTH



**DETAIL 'A'**  
 SEE STANDARD 630101



EXPIRES 11-30-2024

*Jayme F. Schiff*

**TOTAL BILL OF MATERIAL**

ITEM	UNIT	TOTAL
FURNISHED EXCAVATION	CU YD	151
GRANULAR BACKFILL FOR STRUCTURES	CU YD	100
CONCRETE REMOVAL	CU YD	62.9
CONCRETE SUPERSTRUCTURE	CU YD	7
CONCRETE STRUCTURE	CU YD	78.3
REINFORCEMENT BARS EPOXY COATED	POUND	8650
MECHANICAL SPLICERS	EACH	82
TEMPORARY SOIL RETENTION SYSTEM	SQ FT	2150

MODEL: D:\delin...  
 FILE NAME: ...  
 PROJECT: ...  
 USER: ...  
 DATE: ...  
 TIME: ...

USER NAME = ronald.woodshank	DESIGNED - RW	REVISED 1, 07/13/2023 RW
PLOT SCALE = 100,000' / 1"	DRAWN - RW	REVISED -
PLOT DATE = 5/17/2023	CHECKED - YP	REVISED -
	DATE - 9/26/2022	REVISED -

**STATE OF ILLINOIS**  
**DEPARTMENT OF TRANSPORTATION**

**GENERAL PLAN AND ELEVATION**  
**STRUCTURE NO. 050-2540**

SCALE: 50 SHEET 1 OF 6 SHEETS STA. TO STA.

F.A.P. RTE.	SECTION	COUNTY	TOTAL SHEETS	SHEET NO.
786	(111)CLV-2	LASALLE	18	10
CONTRACT NO. 66N37				
ILLINOIS FED. AID PROJECT				