

## INDEX OF SHEETS

- 1 COVER SHEET
- 2 INDEX OF SHEETS, HIGHWAY STANDARDS, GENERAL NOTES, & COMMITMENTS
- 3-4 SUMMARY OF QUANTITIES
- 5-7 TRAFFIC CONTROL AND PROTECTION, STANDARD 701321 (SPECIAL)
- 8 PAVING AND PAVEMENT MARKING DETAILS
- 9 GUARDRAIL DETAILS
- 10-14 STRUCTURAL PLANS

## GENERAL NOTES

1. THE UTILITIES KNOWN TO HAVE FACILITIES WITHIN THE PROJECT AREA ARE AS FOLLOWS:  
AMEREN ILLINOIS  
HARRISONVILLE TELEPHONE COMPANY  
VILLAGE OF PRAIRIE DU ROCHER
2. NO SURVEY WAS PERFORMED FOR THIS PROJECT AND THE PLANS WERE CREATED USING MICROFILM AND FIELD MEASUREMENTS.
3. THE USE OF VIBRATORY ROLLERS WILL NOT BE PERMITTED FOR THIS PROJECT. THIS DOES NOT RELIEVE THE CONTRACTOR OF DENSITY REQUIREMENTS FOR THE CONSTRUCTION OF THE BITUMINOUS PAVEMENTS AS SPECIFIED IN SECTIONS 406 & 407 OF THE STANDARD SPECIFICATIONS.
4. THE RESIDENT ENGINEER SHALL VERIFY THE EXISTENCE OF HIGHWAY LIGHTING, INTELLIGENT TRANSPORTATION SYSTEMS (I.T.S.) UTILITIES, AND/OR ELECTRICAL CABLES ASSOCIATED WITH TRAFFIC SIGNALS WITHIN THE PROJECT LIMITS. IF ANY OF THESE EXIST WITHIN THE PROJECT LIMITS, AND IF THESE ITEMS REQUIRE LOCATING, THE CONTRACTOR SHALL BE DIRECTED TO DO SO ACCORDING TO SECTION 803 OF THE STANDARD SPECIFICATIONS. THIS WORK SHALL BE PAID FOR ACCORDING TO ARTICLE 109.04 OF THE STANDARD SPECIFICATIONS.
5. FOUR CHANGEABLE MESSAGE SIGNS SHALL BE REQUIRED FOR THIS PROJECT. THEY SHALL BE PLACED TWO WEEKS PRIOR TO ANY LANE CLOSURE AND SHALL REMAIN UP FOR THE DURATION OF THE PROJECT.
6. ALL REMOVED GUARDRAIL COMPONENTS ARE THE PROPERTY OF THE CONTRACTOR AND THE SALVAGE VALUE OF SAID COMPONENTS SHALL BE REFLECTED IN THE CONTRACTOR'S BID.
7. THE CONTRACTOR SHALL PROVIDE POSITIVE AND ADEQUATE DRAINAGE AT ALL TIMES.

## COMMITMENTS

NONE

## HIGHWAY STANDARDS

- 000001-08 STANDARD SYMBOLS, ABBREVIATIONS, AND PATTERNS
- 001001-02 AREAS OF REINFORCEMENT BARS
- 001006 DECIMAL OF AN INCH AND OF A FOOT
- 420001-10 PAVEMENT JOINTS
- 606201-04 TYPE B GUTTER - INLETS, OUTLETS, & ENTRANCES
- 630001-12 STEEL PLATE BEAM GUARDRAIL
- 630101-10 STRONG POST GUARDRAIL ATTACHED TO CULVERT
- 630301-09 SHOULDER WIDENING FOR TYPE 1 (SPECIAL) GUARDRAIL TERMINALS
- 701001-02 OFF-RD OPERATIONS, 2L, 2W, MORE THAN 15' AWAY
- 701006-05 OFF-RD OPERATIONS, 2L, 2W, 15' TO 24" FROM PAVEMENT EDGE
- 701011-04 OFF-RD MOVING OPERATIONS, 2L, 2W, DAY ONLY
- 701301-04 LANE CLOSURE, 2L, 2W, SHORT TIME OPERATIONS
- 701311-03 LANE CLOSURE, 2L, 2W MOVING OPERATIONS - DAY ONLY
- 701321-18 LANE CLOSURE, 2L, 2W, BRIDGE REPAIR WITH BARRIER
- 701501-06 URBAN LANE CLOSURE, 2L, 2W, UNDIVIDED
- 701901-08 TRAFFIC CONTROL DEVICES
- 704001-08 TEMPORARY CONCRETE BARRIER
- 780001-05 TYPICAL PAVEMENT MARKINGS
- 781001-04 TYPICAL APPLICATIONS RAISED REFLECTIVE PAVEMENT MARKERS
- 782006-01 GUARDRAIL AND BARRIER WALL REFLECTOR MOUNTING DETAILS

MIXTURE USE	SURFACE	BINDER	SHOULDER (LOWER)	SHOULDER (UPPER)
AC/PG	PG 64-22	PG 64-22	PG 64-22	PG 64-22
DESIGN AIR VOIDS	4.0% @ NDES=70	4.0% @ NDES=70	4.0% @ NDES=70	4.0% @ NDES=70
MIX COMPOSITION	IL 9.5	IL 9.5 FG	IL 19.0	IL 9.5
FRICTION AGG	MIXTURE "C"	MIXTURE "C"	MIXTURE "B"	MIXTURE "C"
QUALITY MGMT PROGRAM	QC/QA	QC/QA	QC/QA	QC/QA
MATTRANDEV REQUIRED?	NO	NO	NO	NO

MODEL: Unsaved Plot - Plot 1 (Sheet)  
FILE NAME: p:\r\illc\p\berndy\com\p\DOT\Documents\DOT Office\District 8\ORD Project\87665\CAD\Drawings\87665-shr-gmnote.dgn



REVISED 7-27-2023

REV. SK

USER NAME = Michael.Berg	DESIGNED - _____	REVISED - _____
DRAWN - _____	REVISOR - _____	REVISIONS - _____
PLOT SCALE = 0.16666633' / in.	CHECKED - _____	REVISIONS - _____
PLOT DATE = 7/27/2023	DATE - _____	REVISIONS - _____

STATE OF ILLINOIS  
DEPARTMENT OF TRANSPORTATION

INDEX OF SHEETS, HIGHWAY STANDARDS,  
GENERAL NOTES, & COMMITMENTS

SCALE: \_\_\_\_\_ SHEET 1 OF 1 SHEETS STA. \_\_\_\_\_ TO STA. \_\_\_\_\_

F.A.S. RTE.	SECTION	COUNTY	TOTAL SHEETS	SHEET NO.
1858	(108R)RS-5	RANDOLPH	14	2
CONTRACT NO. 76R65				
ILLINOIS FED. AID PROJECT				

CODE NO.	ITEM	UNIT	TOTAL QUANTITY	CONSTR. CODE	
				BRIDGE 0047	079-0032
				100% STATE	
20200100	EARTH EXCAVATION	CU YD	21	21	
40600290	BITUMINOUS MATERIALS (TACK COAT)	POUND	197	197	
40600982	HOT-MIX ASPHALT SURFACE REMOVAL - BUTT JOINT	SQ YD	76	76	
40600985	PORTLAND CEMENT CONCRETE SURFACE REMOVAL - BUTT JOINT	SQ YD	147	147	
40600990	TEMPORARY RAMP	SQ YD	70	70	
40602970	HOT-MIX ASPHALT BINDER COURSE, IL-9.5FG, N70	TON	6.4	6.4	
40604052	HOT-MIX ASPHALT SURFACE COURSE, IL-9.5, MIX "C", N70	TON	57.7	57.7	
44000400	GUTTER REMOVAL	FOOT	78	78	
48101200	AGGREGATE SHOULDERS, TYPE B	TON	18	18	
48203018	HOT-MIX ASPHALT SHOULDERS, 5 1/4"	SQ YD	144	144	
50102400	CONCRETE REMOVAL	CU YD	9.2	9.2	
50300100	FLOOR DRAINS	EACH	4	4	
50300255	CONCRETE SUPERSTRUCTURE	CU YD	6.9	6.9	
50300260	BRIDGE DECK GROOVING	SQ YD	94	94	

CODE NO.	ITEM	UNIT	TOTAL QUANTITY	CONSTR. CODE	
				BRIDGE 0047	079-0032
				100% STATE	
50300300	PROTECTIVE COAT	SQ YD	132	132	
50800205	REINFORCEMENT BARS, EPOXY COATED	POUND	3100	3100	
50800515	BAR SPLICERS	EACH	23	23	
60262700	INLETS TO BE RECONSTRUCTED	EACH	1	1	
60405900	GRATES AND COVERS, TYPE 2B	EACH	1	1	
60600095	CLASS SI CONCRETE (OUTLET)	CU YD	2.2	2.2	
60602800	CONCRETE GUTTER, TYPE B	FOOT	57	57	
* 63000001	STEEL PLATE BEAM GUARDRAIL, TYPE A, 6 FOOT POSTS	FOOT	425	425	
* 63000030	STRONG POST GUARDRAIL ATTACHED TO CULVERT	FOOT	60	60	
* 63100045	TRAFFIC BARRIER TERMINAL, TYPE 2	EACH	1	1	
* 63100167	TRAFFIC BARRIER TERMINAL, TYPE 1 (SPECIAL) TANGENT	EACH	3	3	
63200310	GUARDRAIL REMOVAL	FOOT	610	610	
67100100	MOBILIZATION	L SUM	1	1	
70102620	TRAFFIC CONTROL AND PROTECTION, STANDARD 701501	L SUM	1	1	
70106500	TEMPORARY BRIDGE TRAFFIC SIGNALS	EACH	1	1	
70107004	PAVEMENT MARKING BLACKOUT TAPE, 4"	FOOT	1800	1800	
70106700	TEMPORARY RUMBLE STRIPS	EACH	6	6	
70107025	CHANGEABLE MESSAGE SIGN	CAL DA	300	300	
70300150	SHORT TERM PAVEMENT MARKING REMOVAL	SQ FT	1215	1215	
70306210	TEMPORARY PAVEMENT MARKING - LINE 24" - TYPE III TAPE	FOOT	24	24	
78200011	BARRIER WALL REFLECTORS, T YPE C	EACH	10	10	
X7200201	WIDTH RESTRICTION SIGNING	L SUM	1	1	

△ REVISED 7-26-2023

MODEL: \\miller\p1\m11  
 FILE NAME: p:\108rjrs\108rjrs\DOT Office\108rjrs\108rjrs\CAD\Drawings\108rjrs-14-500\_3p

USER NAME = Robert Hughes	DESIGNED -	REVISED -
PLOT SCALE = 0.16666633' / in.	CHECKED -	REVISED -
PLOT DATE = 5/19/2023	DATE -	REVISED -

**STATE OF ILLINOIS  
DEPARTMENT OF TRANSPORTATION**

**SUMMARY OF QUANTITIES**

SCALE: 1"=50' SHEET 1 OF 2 SHEETS STA. + TO STA. +

F.A.S. RTE. 1858	SECTION (108R)RS-5	COUNTY RANDOLPH	TOTAL SHEETS 12	SHEET NO. 3
CONTRACT NO. 76R65				
ILLINOIS FED. AID PROJECT				

MODEL: S007 (Sheet)  
 FILE NAME: p:\118101.pw\benley.com\FWDOT\Documents\DOT Office\District 10\RD Project\108R\RS-5\CADData\CADData\108R\RS-5\108R-5-S007.dgn

CODE NO.	ITEM	UNIT	TOTAL QUANTITY	CONSTR. CODE
				100% STATE
				BRIDGE
				0047
				079-0032
70306120	TEMPORARY PAVEMENT MARKING - LINE 4" - TYPE III TAPE	FOOT	1847	1847
70400100	TEMPORARY CONCRETE BARRIER	FOOT	250	250
70400200	RELOCATE TEMPORARY CONCRETE BARRIER	FOOT	125	125
70600251	IMPACT ATTENUATORS, TEMPORARY (NON- REDIRECTIVE, NARROW), TEST LEVEL 3	EACH	2	2
70600350	IMPACT ATTENUATORS, RELOCATE (NON- REDIRECTIVE), TEST LEVEL 3	EACH	2	2
* 78001110	PAINT PAVEMENT MARKING - LINE 4"	FOOT	1800	1800
* 78100100	RAISED REFLECTIVE PAVEMENT MARKER	EACH	6	6
78300200	RAISED REFLECTIVE PAVEMENT MARKER REMOVAL	EACH	6	6
X5030309	CONCRETE WEARING SURFACE, 4 1/4"	SQ YD	118	118
* X6330725	STEEL PLATE BEAM GUARDRAIL (SHORT RADIUS)	FOOT	50	50
X7010202	TRAFFIC CONTROL AND PROTECTION, STANDARD 701321 (SPECIAL)	EACH	1	1
Z0012136	BRIDGE DECK SCARIFICATION 1 1/2"	SQ YD	102	102
Z0016001	DECK SLAB REPAIR (FULL DEPTH, TYPE I)	SQ YD	0.5	0.5
Z0073500	TEMPORARY SUPPORT SYSTEM	L SUM	1	1



\* SPECIALTY ITEM

△ REVISED 7-26-2023

REV. - MS

USER NAME = Robert.Hughes	DESIGNED - _____	REVISED - _____
	DRAWN - _____	REVISED - _____
PLOT SCALE = 0.16666633' / in.	CHECKED - _____	REVISED - _____
PLOT DATE = 5/19/2023	DATE - _____	REVISED - _____

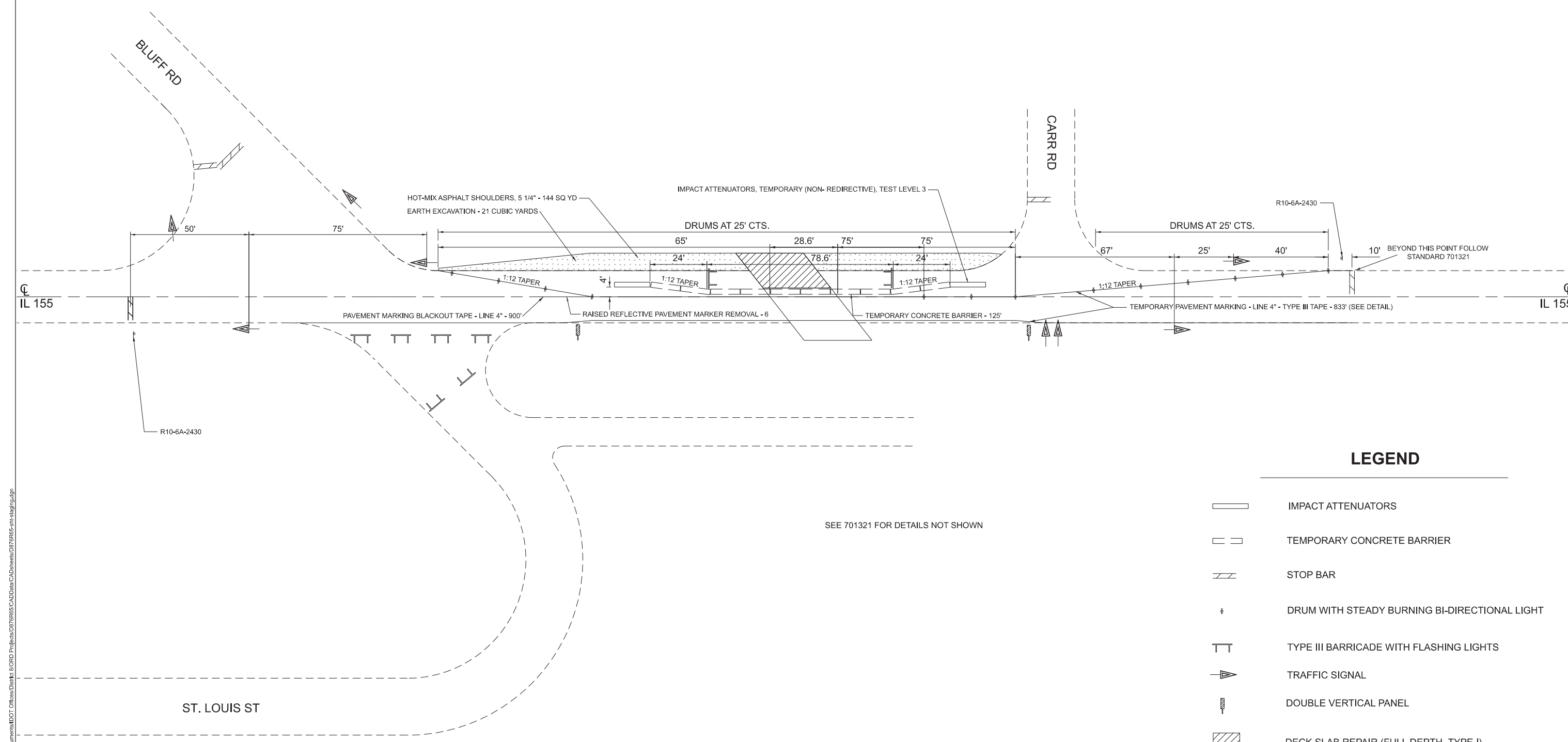
**STATE OF ILLINOIS  
DEPARTMENT OF TRANSPORTATION**

**SUMMARY OF QUANTITIES**

SCALE: 1"=50'      SHEET 2 OF 2 SHEETS      STA. \_\_\_+\_\_\_ TO STA. \_\_\_+\_\_\_

F.A.S. RTE.	SECTION	COUNTY	TOTAL SHEETS	SHEET NO.
1858	(108R)RS-5	RANDOLPH	12	4
CONTRACT NO. 76R65			ILLINOIS   FED. AID PROJECT	

MODEL: Stage 1 (Sheet)  
 FILE NAME: P:\Bentley\Bentley.com\PROJECTS\DOT\Documents\DOT Office\DH418\CRD Project\0376R65\CADD\0376R65-ah-01.dgn



**LEGEND**

- IMPACT ATTENUATORS
- TEMPORARY CONCRETE BARRIER
- STOP BAR
- DRUM WITH STEADY BURNING BI-DIRECTIONAL LIGHT
- TYPE III BARRICADE WITH FLASHING LIGHTS
- TRAFFIC SIGNAL
- DOUBLE VERTICAL PANEL
- DECK SLAB REPAIR (FULL DEPTH, TYPE I)
- HOT-MIX ASPHALT SHOULDERS, 5 1/4"

**REVISION** 1 REVISED SHEET 7-27-2023

USER NAME = MichaelBerg	DESIGNED -	REVISOR -
	DRAWN -	REVISION -
PLOT SCALE = 0.16666633 1/In.	CHECKED -	REVISION -
PLOT DATE = 7/27/2023	DATE -	REVISION -

**STATE OF ILLINOIS**  
**DEPARTMENT OF TRANSPORTATION**

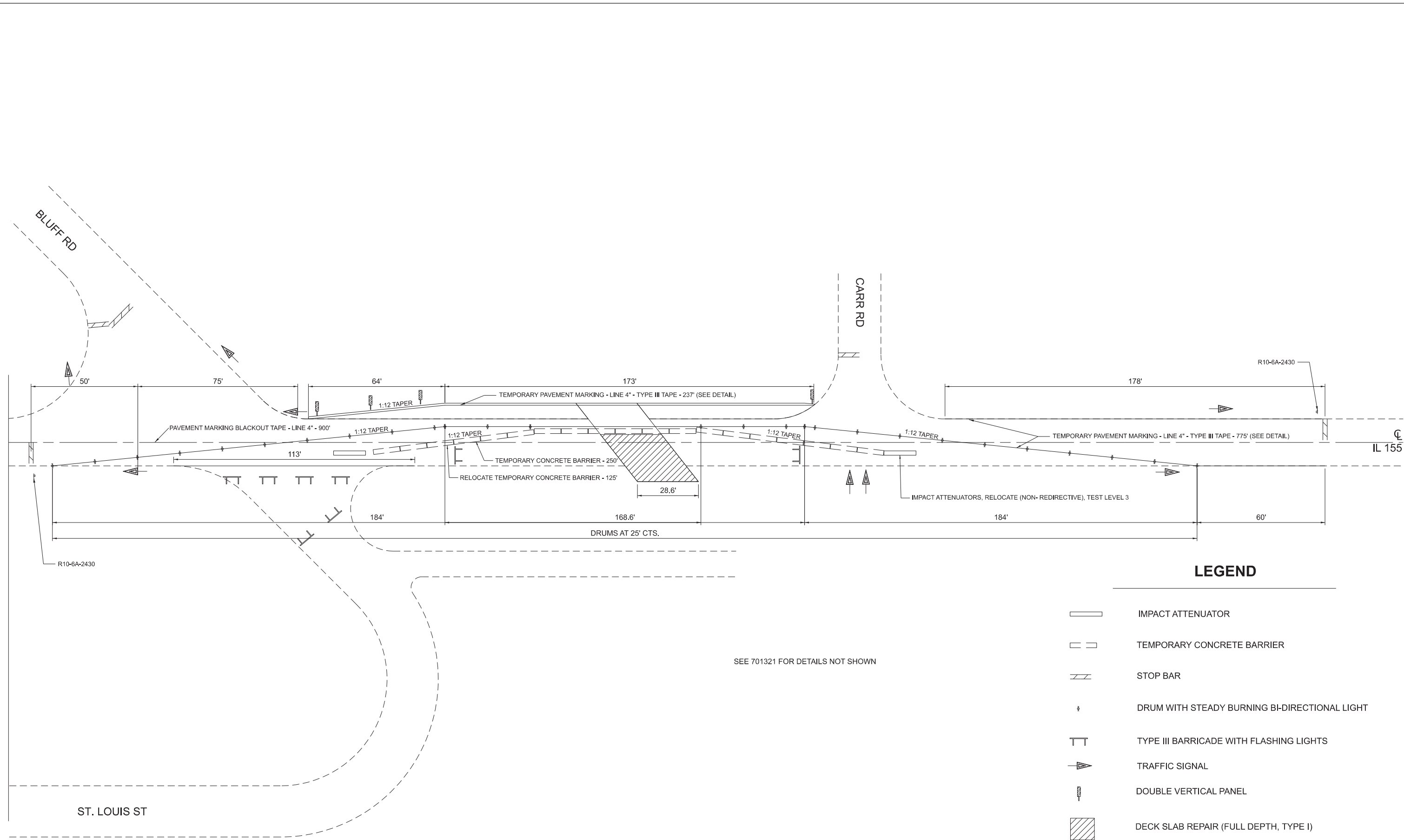
**TRAFFIC CONTROL AND PROTECTION,**  
**STANDARD 701321 (SPECIAL)**  
**STAGE I DETAILS**

SCALE: 1"=50'    SHEET 1 OF 3 SHEETS    STA. \_\_\_+\_\_\_ TO STA. \_\_\_+\_\_\_

F.A.S. RTE.	SECTION	COUNTY	TOTAL SHEETS	SHEET NO.
1858	(108R)RS-5	RANDOLPH	14	5
CONTRACT NO. 76R65				
ILLINOIS FED. AID PROJECT				






MODEL: Unfiled (Sheet)  
 FILE NAME: p:\cadd\p2\benby.com\PILOT\Documents\DOT Office\DH1418\ORD Project\0376R65\CADD\0376R65-ah-staging.dgn



SEE 701321 FOR DETAILS NOT SHOWN

**LEGEND**

-  IMPACT ATTENUATOR
-  TEMPORARY CONCRETE BARRIER
-  STOP BAR
-  DRUM WITH STEADY BURNING BI-DIRECTIONAL LIGHT
-  TYPE III BARRICADE WITH FLASHING LIGHTS
-  TRAFFIC SIGNAL
-  DOUBLE VERTICAL PANEL
-  DECK SLAB REPAIR (FULL DEPTH, TYPE I)
-  HOT-MIX ASPHALT SHOULDERS, 5 1/4"

 REVISED SHEET 7-27-2023

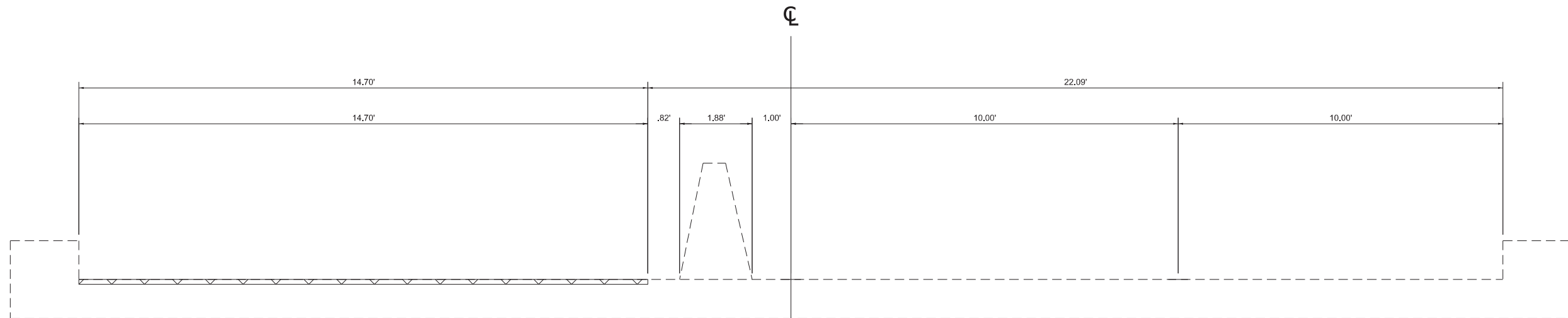
USER NAME = MichaelBerg	DESIGNED -	REVISOR -
DRAWN -	CHECKED -	REVISIONS -
PLOT SCALE = 0.16666633' / in.	DATE -	
PLOT DATE = 7/27/2023		

**STATE OF ILLINOIS  
 DEPARTMENT OF TRANSPORTATION**

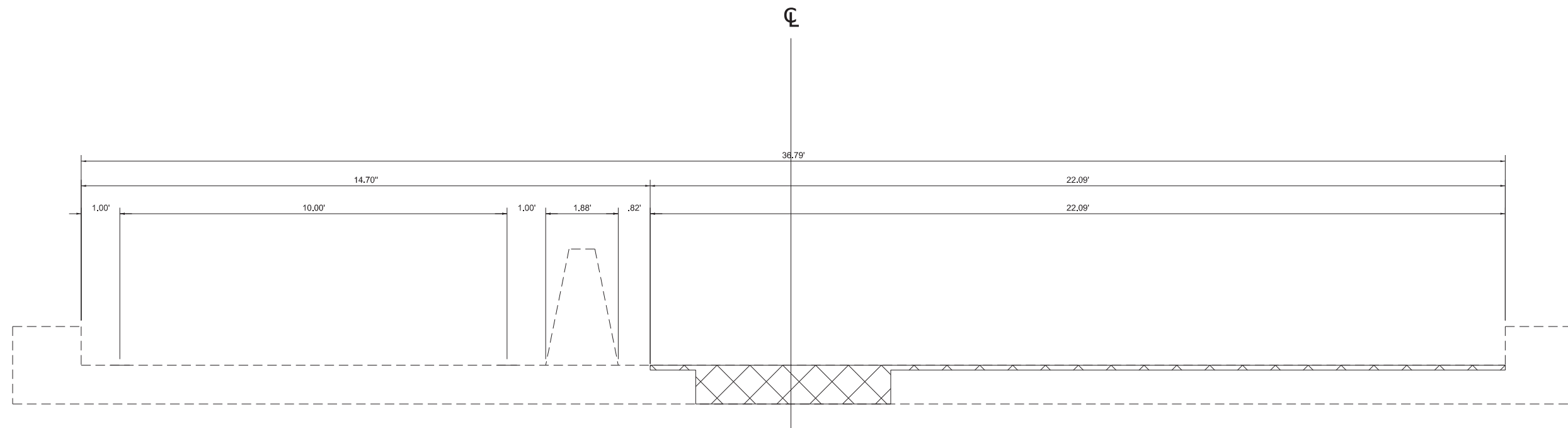
**TRAFFIC CONTROL AND PROTECTION,  
 STANDARD 701321 (SPECIAL)  
 STAGE II DETAILS**

SCALE: 1"=50' SHEET 2 OF 3 SHEETS STA. \_\_\_+\_\_\_ TO STA. \_\_\_+\_\_\_

F.A.S. RTE.	SECTION	COUNTY	TOTAL SHEETS	SHEET NO.
1858	(108R)RS-5	RANDOLPH	14	6
CONTRACT NO. 76R65				
ILLINOIS FED. AID PROJECT				



STAGE I



STAGE II

⚠️ REVISED SHEET 7-27-2023

MODEL: Staging Data (Sheet)  
 FILE NAME: P:\Public\p2\staging\com\PI\DOT\Documents\DOT Office\DH118\CRD Project\B76R65\CADD\Site\CAD\Sheet\B76R65-sh-staging.dgn

USER NAME = MichaelBerg	DESIGNED - _____	REVISED - _____
	DRAWN - _____	REVISED - _____
PLOT SCALE = 0.16666633' / In.	CHECKED - _____	REVISED - _____
PLOT DATE = 7/27/2023	DATE - _____	REVISED - _____

**STATE OF ILLINOIS**  
**DEPARTMENT OF TRANSPORTATION**

**TRAFFIC CONTROL AND PROTECTION,**  
**STANDARD 701321 (SPECIAL)**  
**STAGING TYPICALS**

SCALE: 1"=50'      SHEET 3 OF 3 SHEETS      STA. \_\_\_+\_\_\_ TO STA. \_\_\_+\_\_\_

F.A.S. RTE.	SECTION	COUNTY	TOTAL SHEETS	SHEET NO.
1858	(108R)RS-5	RANDOLPH	14	7
CONTRACT NO. 76R65				
ILLINOIS FED. AID PROJECT				



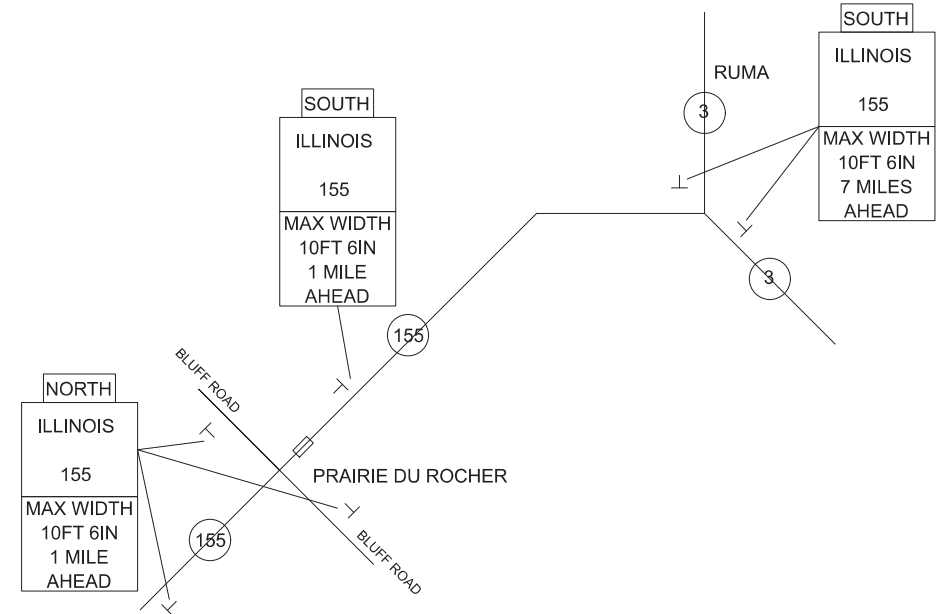
DOUBLE YELLOW CENTER LINE - 4\"/>

WHITE EDGE LINE - 4\"/>

AGGREGATE SHOULDERS, TYPE B 6.2 TONS

GUTTER REMOVAL - 78 FT  
 INLETS TO BE RECONSTRUCTED - 1 EACH  
 GRATES AND COVERS, TYPE 2B - 1 EACH  
 CLASS SI CONCRETE (OUTLET) - 2.2 CY  
 CONCRETE GUTTER, TYPE B - 57 FT

**PAVEMENT MARKING AND DRAINAGE DETAIL**



**WIDE LOAD SIGNING NOTES**

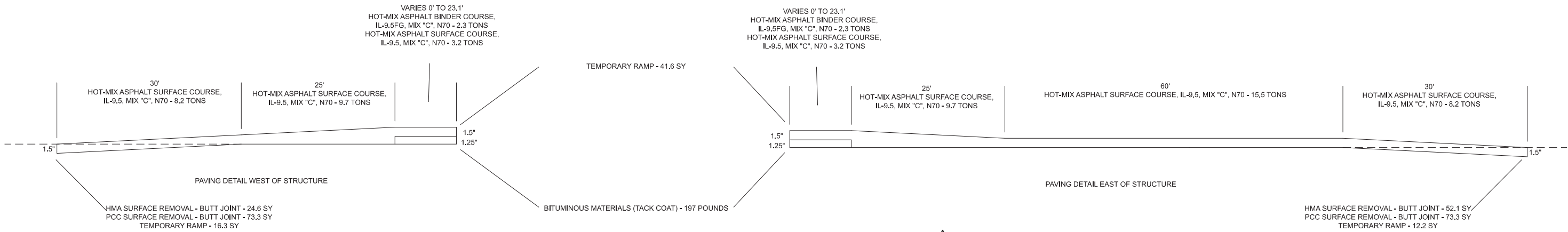
ALL SIGNS REQUIRED WILL BE SUPPLIED TO THE CONTRACTOR BY IDOT

THE CONTRACTOR SHALL FURNISH THE POSTS AND ERECT THE SIGNS AT THE LOCATIONS SHOWN ON THIS SHEET AS DIRECTED BY THE RE/RT. THE POSTS SHALL REMAIN THE PROPERTY OF THE CONTRACTOR.

THE CONTRACTOR SHALL GIVE IDOT, BUREAU OF OPERATIONS TWO WEEKS NOTICE FOR SIGNS. THE CONTRACTOR SHALL PICK UP THE SIGNS AT THE TM BUILDING IN FAIRVIEW HEIGHTS AND RETURN THEM UPON COMPLETION OF THE CONTRACT. CONTACT JEAN SLAPE AT (618)394-2189.

THE HEIGHT TO THE BOTTOM OF THE LOWEST SIGN SHALL NOT BE LESS THAN 6'.

**WIDE LOAD SIGNING**



**PAVING DETAIL**

**REVIS**ED SHEET 7-27-2023

MODEL: Unfiled [Sheet]  
 FILE NAME: P:\Projects\108R\RS-5\108R-RS-5\CADD\Drawings\DOT\Drawings\108R-RS-5\108R-RS-5-1.dgn

USER NAME = MichaelBerg	DESIGNED -	REVISED -
	DRAWN -	REVISED -
PLOT SCALE = 0.16666633' / in.	CHECKED -	REVISED -
PLOT DATE = 7/27/2023	DATE -	REVISED -

**STATE OF ILLINOIS  
 DEPARTMENT OF TRANSPORTATION**

**PAVING, DRAINAGE, PAVEMENT MARKING AND  
 WIDE LOAD SIGNING DETAILS**

SCALE: SHEET 0 OF 1 SHEETS STA. \_\_\_+\_\_\_ TO STA. \_\_\_+\_\_\_

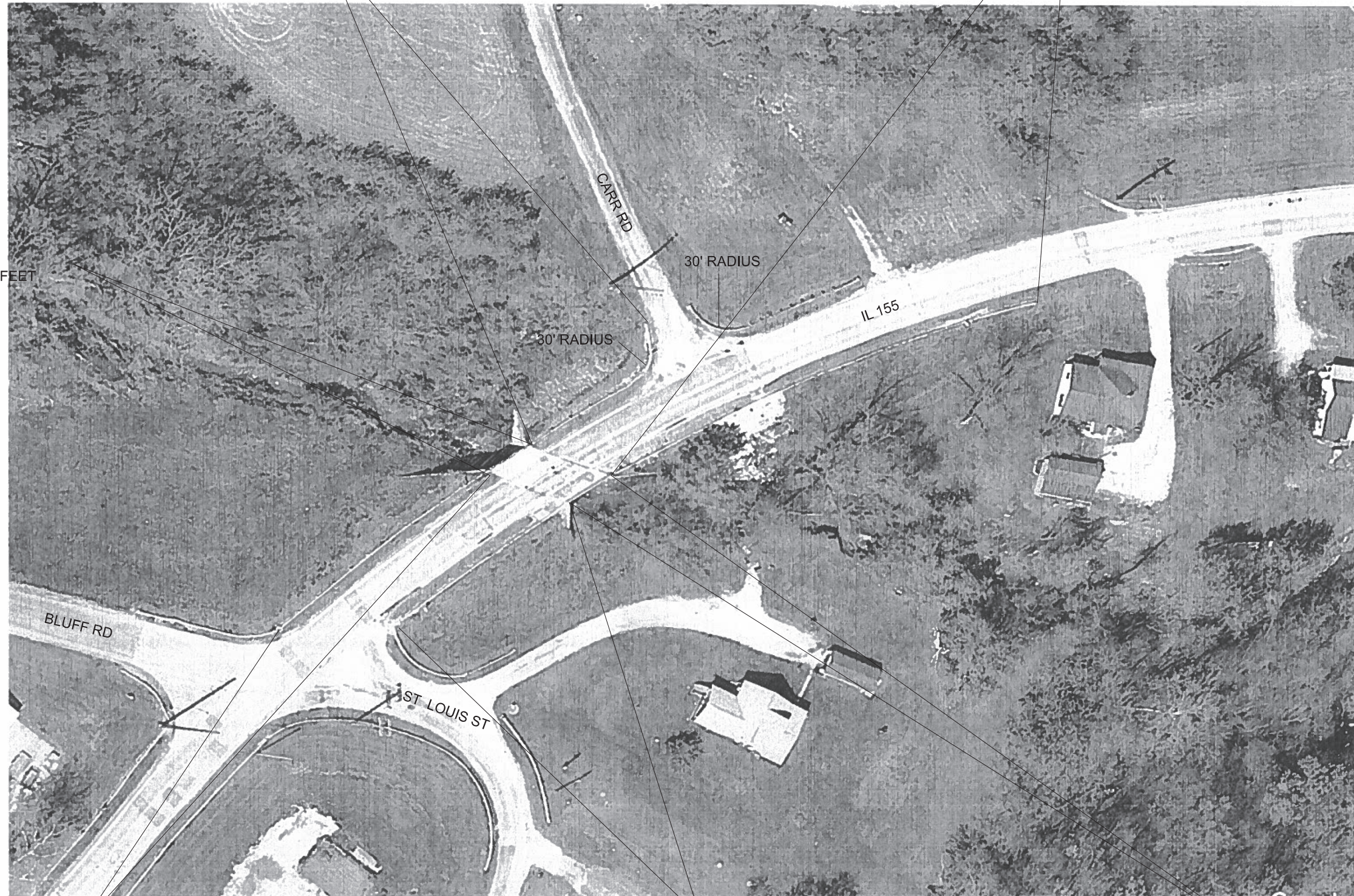
F.A.S. RTE.	SECTION	COUNTY	TOTAL SHEETS	SHEET NO.
1858	(108R)-RS-5	RANDOLPH	14	8
CONTRACT NO. 76R65				
ILLINOIS FED. AID PROJECT				



GUARDRAIL REMOVAL - 100' FEET  
 STEEL PLATE BEAM GUARDRAIL, TYPE A, 6 FOOT POSTS - 50 FEET  
 STEEL PLATE BEAM GUARDRAIL (SHORT RADIUS) - 50 FEET  
 TRAFFIC BARRIER TERMINAL, TYPE 2 - 1 EA

GUARDRAIL REMOVAL - 250' FEET  
 STEEL PLATE BEAM GUARDRAIL, TYPE A, 6 FOOT POSTS - 200 FEET  
 TRAFFIC BARRIER TERMINAL, TYPE 1 (SPECIAL) TANGENT - 1 EA

STRONG POST GUARDRAIL  
 ATTACHED TO CULVERT - 30 FEET



GUARDRAIL REMOVAL - 145' FEET  
 STEEL PLATE BEAM GUARDRAIL, TYPE A, 6 FOOT POSTS - 100 FEET  
 TRAFFIC BARRIER TERMINAL, TYPE 1 (SPECIAL) TANGENT - 1 EA

GUARDRAIL REMOVAL - 112.5' FEET  
 STEEL PLATE BEAM GUARDRAIL, TYPE A, 6 FOOT POSTS - 62.5 FEET  
 TRAFFIC BARRIER TERMINAL, TYPE 1 (SPECIAL) TANGENT - 1 EA

STRONG POST GUARDRAIL  
 ATTACHED TO CULVERT - 30 FEET

**REVISION** REVISED SHEET 7-27-2023

MODEL: Unfiled (Sheet)  
 FILE NAME: p:\cadd\p2\randolph\contract\DOT\Documents\DOT Office\Sheet 18 ORD Project\837665\CADD\837665-18-01.dgn

USER NAME = MichaelBerg	DESIGNED -	REVISION
	DRAWN -	REVISION
PLOT SCALE = 0.16666633' / in.	CHECKED -	REVISION
PLOT DATE = 7/27/2023	DATE -	REVISION

**STATE OF ILLINOIS  
 DEPARTMENT OF TRANSPORTATION**

SCALE:		SHEET 1 OF 1 SHEETS		STA. ___+___	TO STA. ___+___

GUARDRAIL DETAILS

F.A.S. RTE.	SECTION	COUNTY	TOTAL SHEETS	SHEET NO.
1858	(108R)RS-5	RANDOLPH	14	9
CONTRACT NO. 76R65				
ILLINOIS FED. AID PROJECT				