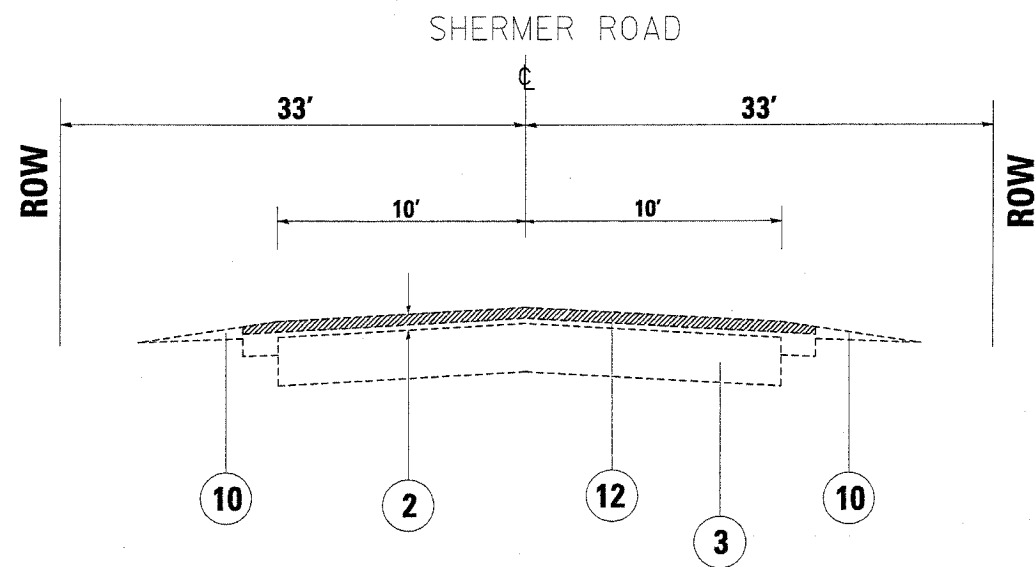
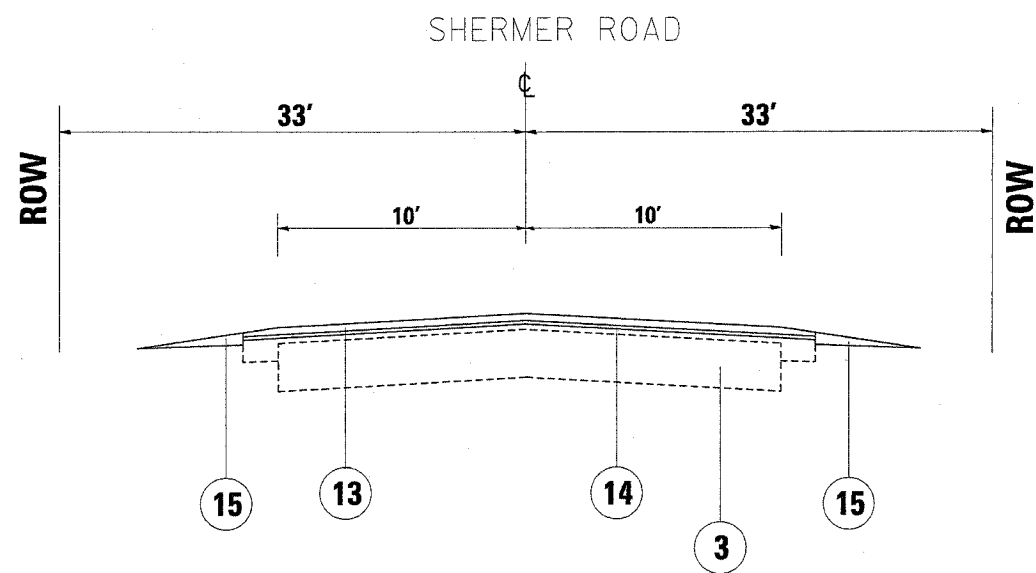


CONTRACT NO. 60754



EXISTING TYPICAL CROSS SECTION
STA. 18+13 TO 36+10



PROPOSED TYPICAL CROSS SECTION
STA. 18+13 TO 36+10

LEGEND

- ① EXISTING COMPACTED EARTH FILL
- ② EXISTING BITUMINOUS CONCRETE OVERLAY, +-3"
- ③ EXISTING P.C.C. PAVEMENT, 9"
- ④ EXISTING SUB-BASE GRANULAR MATERIAL, TYPE A, 6"
- ⑤ EXISTING COMB. CONCRETE CURB & GUTTER, B.6-24
- ⑥ EXISTING COMB. CONCRETE CURB & GUTTER, B-6.12
- ⑦ EXISTING TIE BARS @ 2'-6" CENTERS
- ⑧ EXISTING CONCRETE MEDIAN SURFACE
- ⑨ EXISTING CONCRETE MEDIAN
- ⑩ EXISTING AGGREGATE SHOULDER
- ⑪ EXISTING CONCRETE CURB, TYPE BA
- ⑫ PROP. BITUMINOUS CONCRETE SURFACE REMOVAL, +- 2/4"
- ⑬ PROP. BITUMINOUS CONCRETE SURFACE COURSE, SUPERPAVE, MIX "D", N 70, 1/2"
- ⑭ PROP. POLYMERIZED LEVELING BINDER, (MACHINE METHOD), SUPERPAVE, IL - 4.75, N 50, 3/4"
- ⑮ PROP. AGGREGATE SHOULDERS, TYPE B

MIXTURE TYPE	AC/PG	RAP% MAX	AIR VOIDS (%)
POLYMERIZED LEVELING BINDER (MACHINE METHOD) SUPERPAVE, N50 3/4"	SBS/SBR PG 76-28	0	2.5% @ 50 GYR
BITUMINOUS CONCRETE SURFACE COURSE, SUPERPAVE, MIX D, N70	PG 64-22	10	4% @ 70 GYR
CLASS D PATCHES, 9" BINDER IL. 19MM	PG 64-22	15	4% @ 70 GYR
BITUMINOUS REPLACEMENT OVER PATCHES BINDER IL - 19MM	PG 64-22	15	4% @ 70 GYR

NOTE: THE UNIT WEIGHT USED TO CALCULATE ALL BITUMINOUS SURFACE MIXTURES IS 112 lbs/sydw/in.

REVISIONS	
NAME	DATE

ILLINOIS DEPARTMENT OF TRANSPORTATION
**SHERMER ROAD
WILLOW RD. TO OLD WILLOW RD.**
**EXISTING AND PROPOSED
TYPICAL SECTIONS**

SCALE: VERT.
HORIZ.
DATE 4/6/2005

DRAWN BY
CHECKED BY