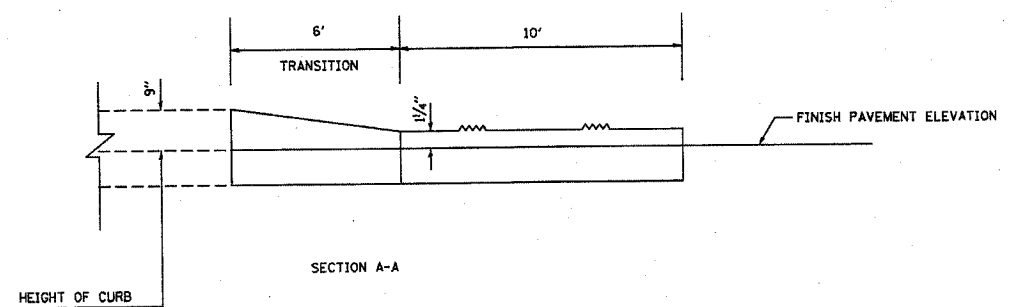
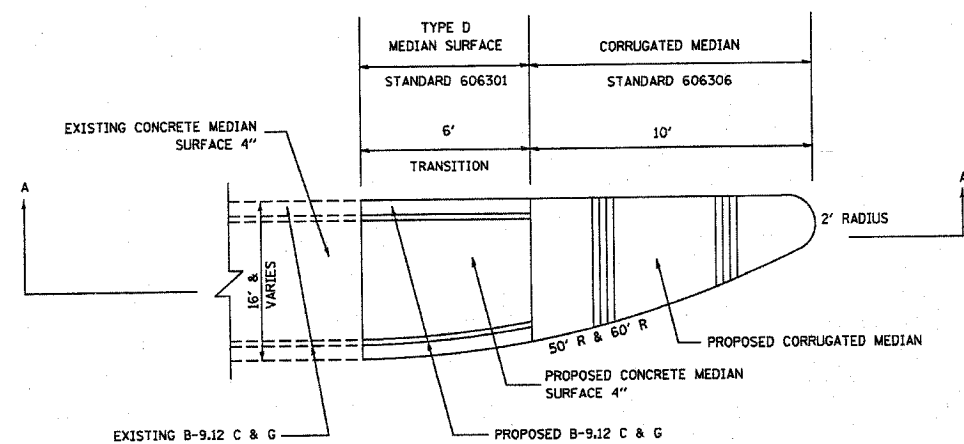
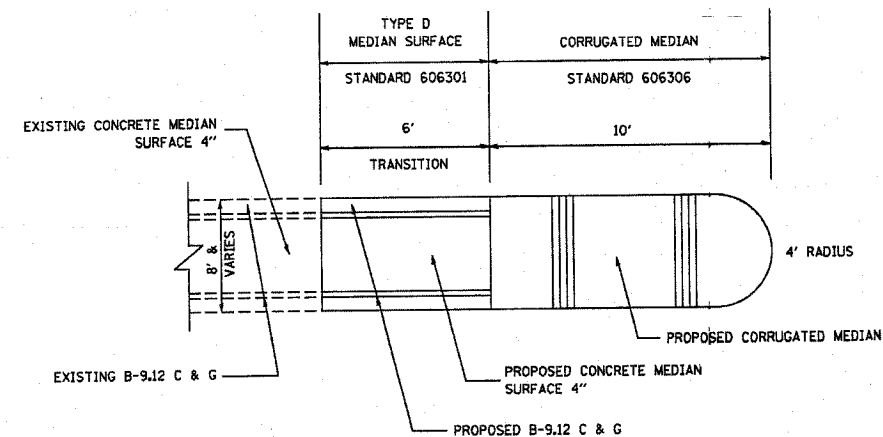


F.A.U. RTE.	SECTION	COUNTY	TOTAL SHEETS	SHEET NO.
1225	(11A)RS-6	LAKE	36	24
STA.		TO STA.		
FED. ROAD DIST. NO. 1 ILLINOIS FED. AID PROJECT				

608191



REVISIONS	
NAME	DATE

ILLINOIS DEPARTMENT OF TRANSPORTATION

MEDIAN NOSE DETAIL

SCALE: VERT. DRAWN BY
 HORIZ. CHECKED BY
 DATE 08/02/01