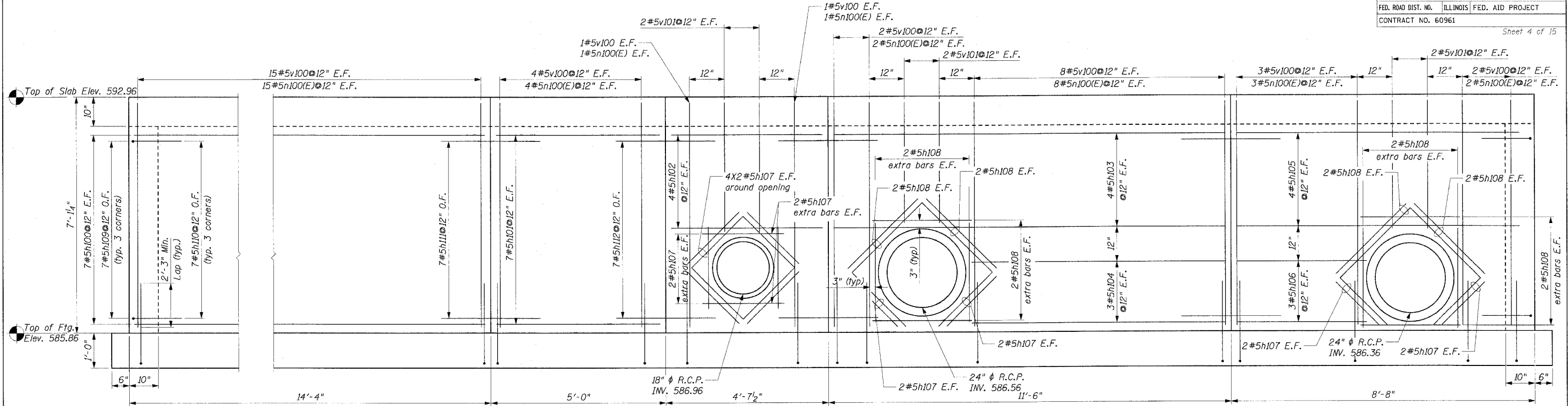
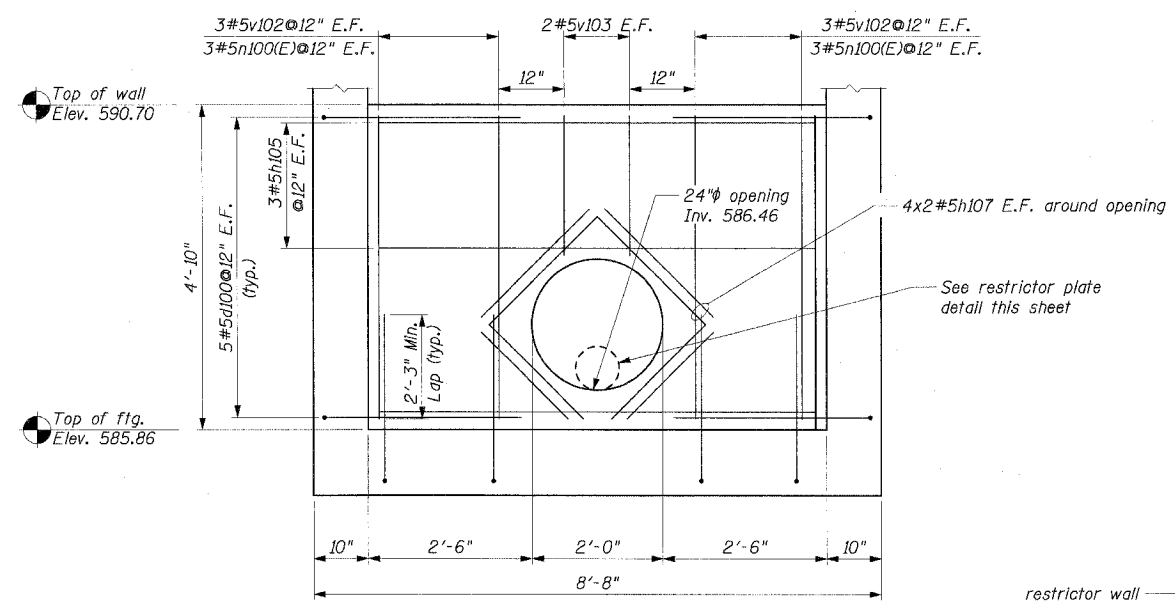


F.A.P. RTE.	SECTION	COUNTY	TOTAL SHEETS	SHEET NO.
575	(B&14) R-3	WILL	390	214
STA.		TO STA.		
FED. ROAD DIST. NO.		ILLINOIS FED. AID PROJECT		
CONTRACT NO. 60961				

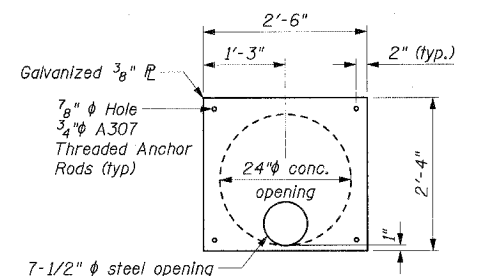
Sheet 4 of 15



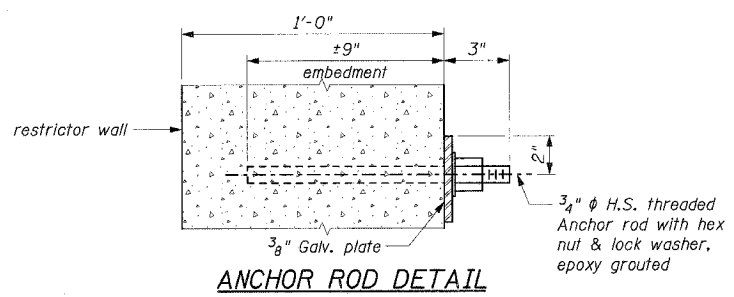
PROJECTED ELEVATION



RESTRICTOR WALL ELEVATION



RESTRICTOR PLATE DETAIL



ANCHOR ROD DETAIL

- NOTES:**
1. All steel plates shall conform to the requirements of AASHTO M270 grade 36.
 2. Bolts, cap screws and nuts shall conform to the requirements of ASTM designation A 307 except that threaded rods, nuts and washers shall conform to AASHTO M 164.
 3. All bolts, nuts, cap screws, washers and lock washers shall be galvanized according to AASHTO M 232.
 4. The Contractor shall use the capsule or adhesive cartridge type anchor rods that have been previously tested and given a prior approval by the Department. The Contractor shall install these anchor rods in pre-drilled holes according to the manufacturer's recommendations and procedures. The capsule or the adhesive cartridge shall be sealed with premeasured amounts of the chemical.

* Cut bars in field to fit & avoid openings

REVISIONS	
NAME	DATE

ILLINOIS DEPARTMENT OF TRANSPORTATION
**SPECIAL STRUCTURE SP-2
 OUTLET 10B**
 FAP RTE. 575 (U.S.30)
 SECTION (B & 14) R-3
 WILL COUNTY

SCALE: VERT. NONE
 HORIZ.
 DATE: 3/1/05

DRAWN BY: GRS
 CHECKED BY: ATI



I:\dot\0006602\draw\other\drainage_structures\structure-2b.dgn