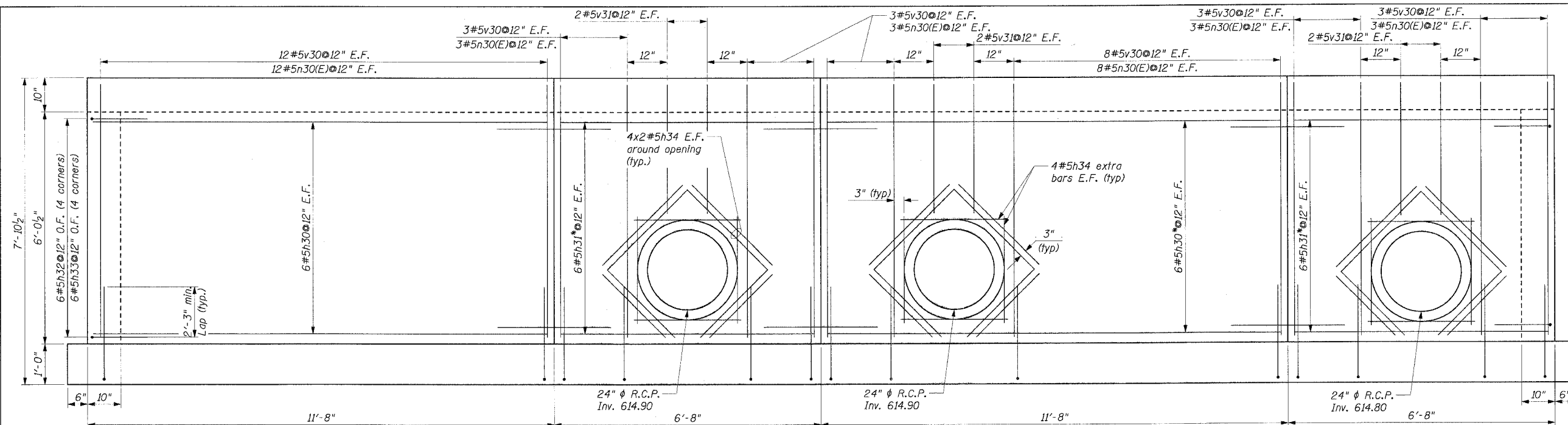
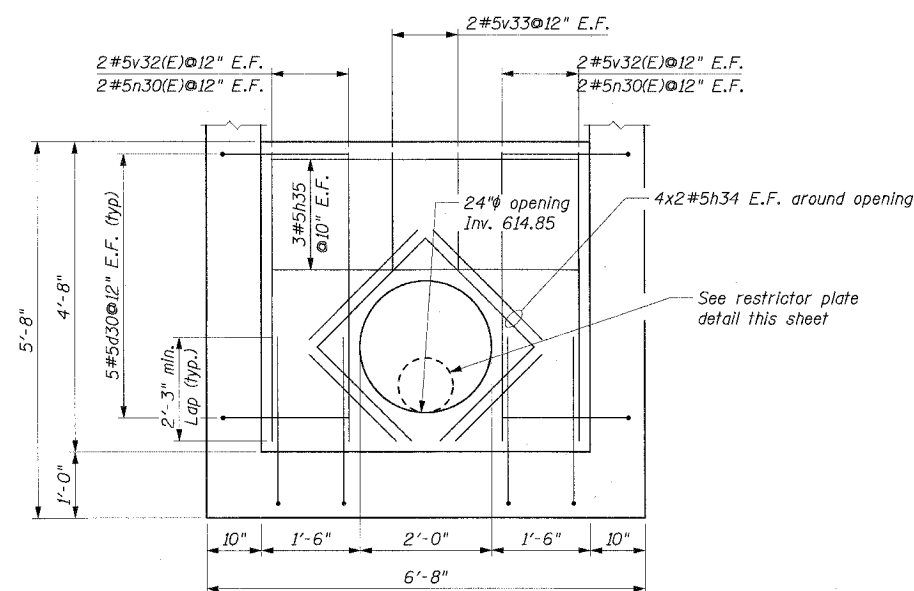


F.A.P. RTE.	SECTION	COUNTY	TOTAL SHEETS	SHEET NO.
575	(B&14) R-3	WILL	390	219
STA.		TO STA.		
FED. ROAD DIST. NO.		ILLINOIS FED. AID PROJECT		
CONTRACT NO. 60961				

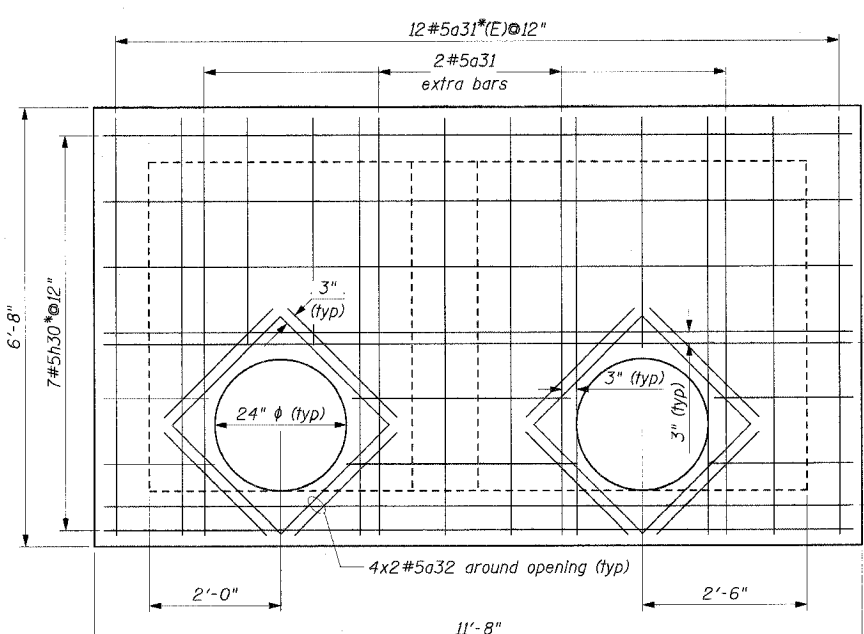
Sheet 9 of 15



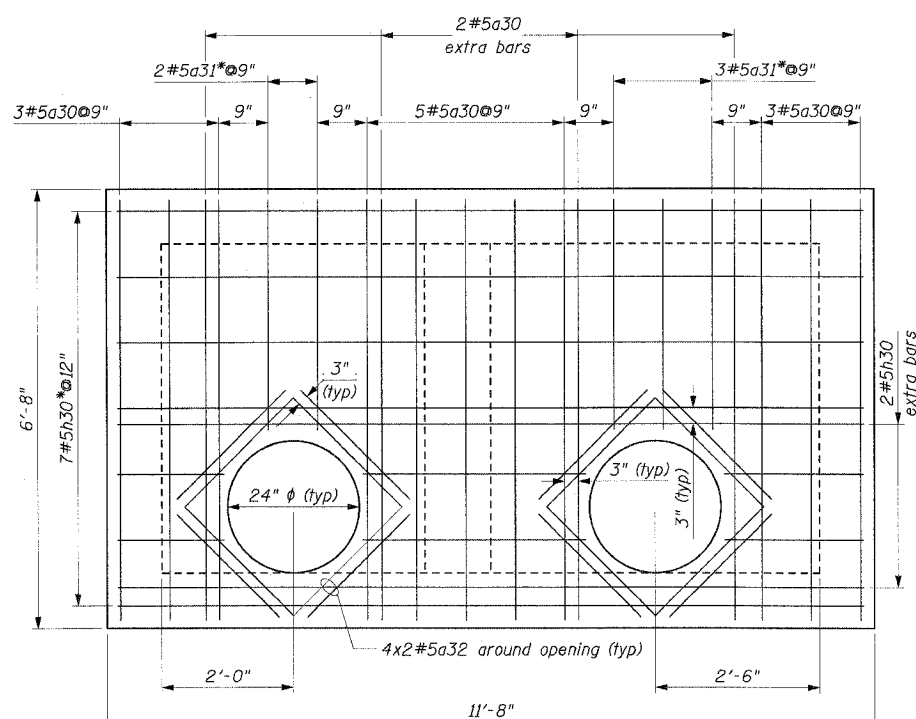
PROJECTED ELEVATION



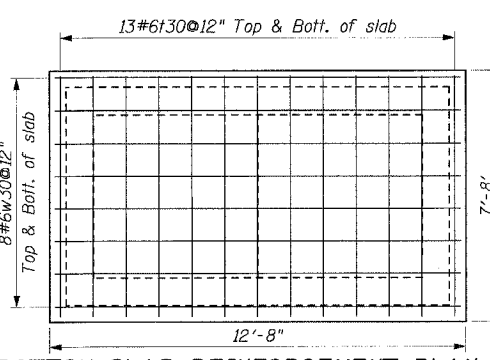
RESTRICTOR WALL ELEVATION



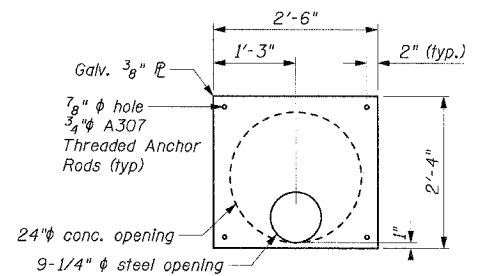
TOP SLAB TOP REINFORCEMENT PLAN



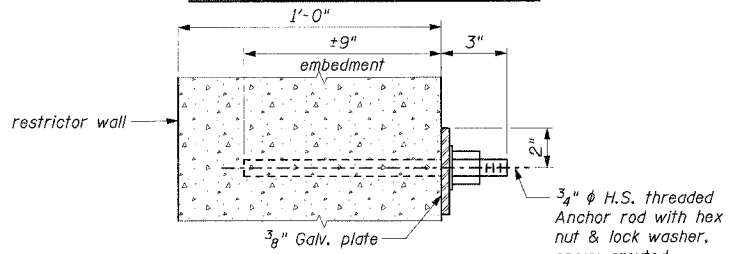
TOP SLAB BOTTOM REINFORCEMENT PLAN



BOTTOM SLAB REINFORCEMENT PLAN



RESTRICTOR PLATE DETAIL



ANCHOR ROD DETAIL

* Cut bars in field to fit & avoid openings

REVISIONS	
NAME	DATE

ILLINOIS DEPARTMENT OF TRANSPORTATION
SPECIAL STRUCTURE SP-4
OUTLET 13-NORTH
 FAP RTE. 575 (U.S.30)
 SECTION (B & 14) R-3
 WILL COUNTY

SCALE: VERT. NONE
 HORIZ.
 DATE: 3/1/05
 DRAWN BY: GRS
 CHECKED BY: ATI

CRAWFORD MURPHY & TILLY, INC.
 CONSULTING ENGINEERS
 SPRINGFIELD, IL ■ AURORA, IL ■ ST. LOUIS, MO

I:\dot000602\draw\other\drainage_structures\structure-db.dgn