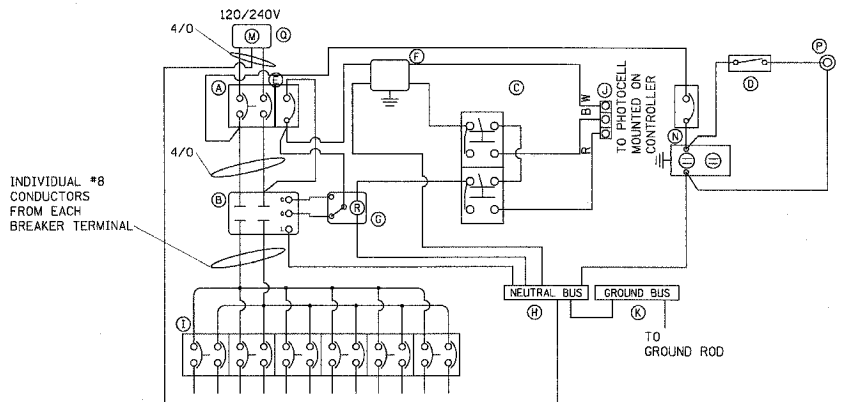


F.A.P. RTE.	SECTION	COUNTY	TOTAL SHEETS	SHEET NO.
575	(B&14) R-3	WILL	390	240
STA.	TO STA.			
FED. ROAD DIST. NO.	ILLINOIS FED. AID PROJECT			
CONTRACT NO. 60961				



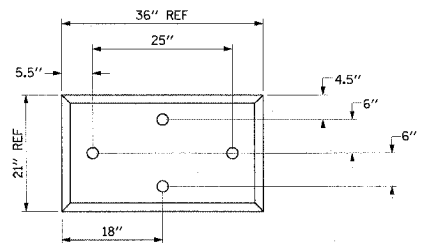
SCHEDULE OF DEVICES

A.	1	MAIN BREAKER 2P/200A C/H JDB2200
B.	1	CONTRACTOR 2P/200A SQ. D PBV10 V38
C.	1	H-O-A SWITCH SQ. D 9001 KYK-111
D.	1	RESERVED
E.	1	BREAKER 1P/15A C/H EHD1015
F.	1	SURGE ARRESTOR EDCO SHA 2403
G.	1	CONTROL RELAY MAGNECRAFT W389ACX-9
H.	1	NEUTRAL BUS
I.	1	BRANCH BREAKER 2P/30A C/H EHD2030
J.	1	PHOTOCELL FISHER-PIERCE FA-105M
K.	1	GROUND BUS
N.	1	RECEPTACLE 20A GFCI LEVITON 6899
O.	1	DOOR SWITCH OMRON A2000/BK
P.	1	LIGHT FIXTURE RAB VX1000G
Q.	1	METER FITTING MILBANK U8949

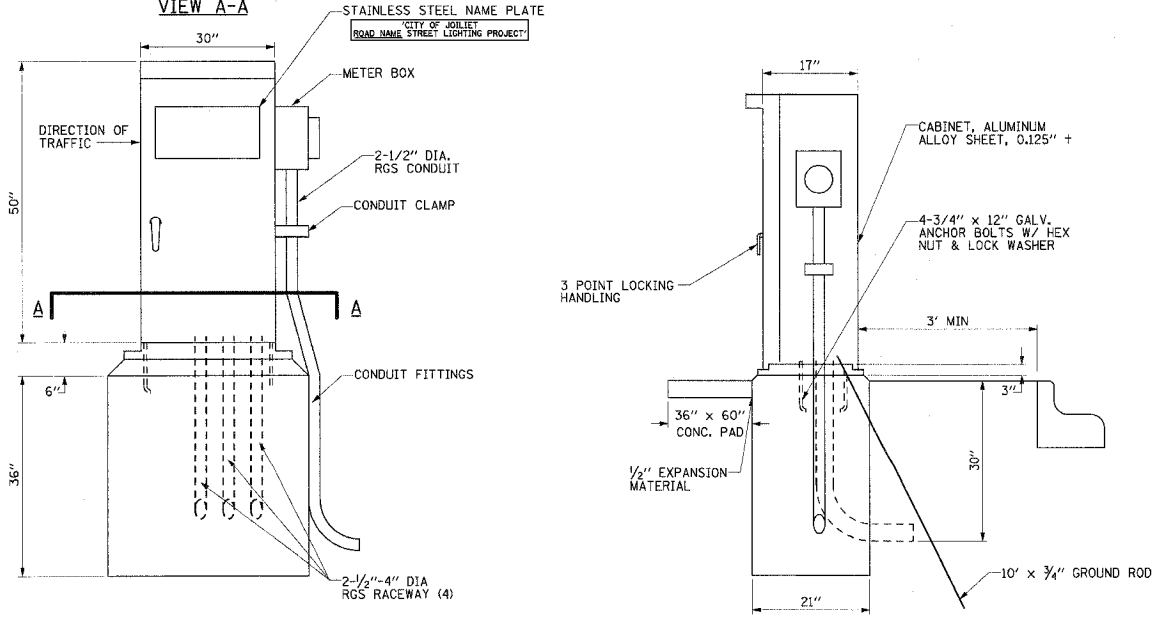
POWER WIRING RHH/RHW
CONTROL WIRING # 12 MTW

NEUTRAL BUS CONNECTOR SCREWS PAINTED WHITE
GROUND BUS CONNECTOR SCREW PAINTED GREEN

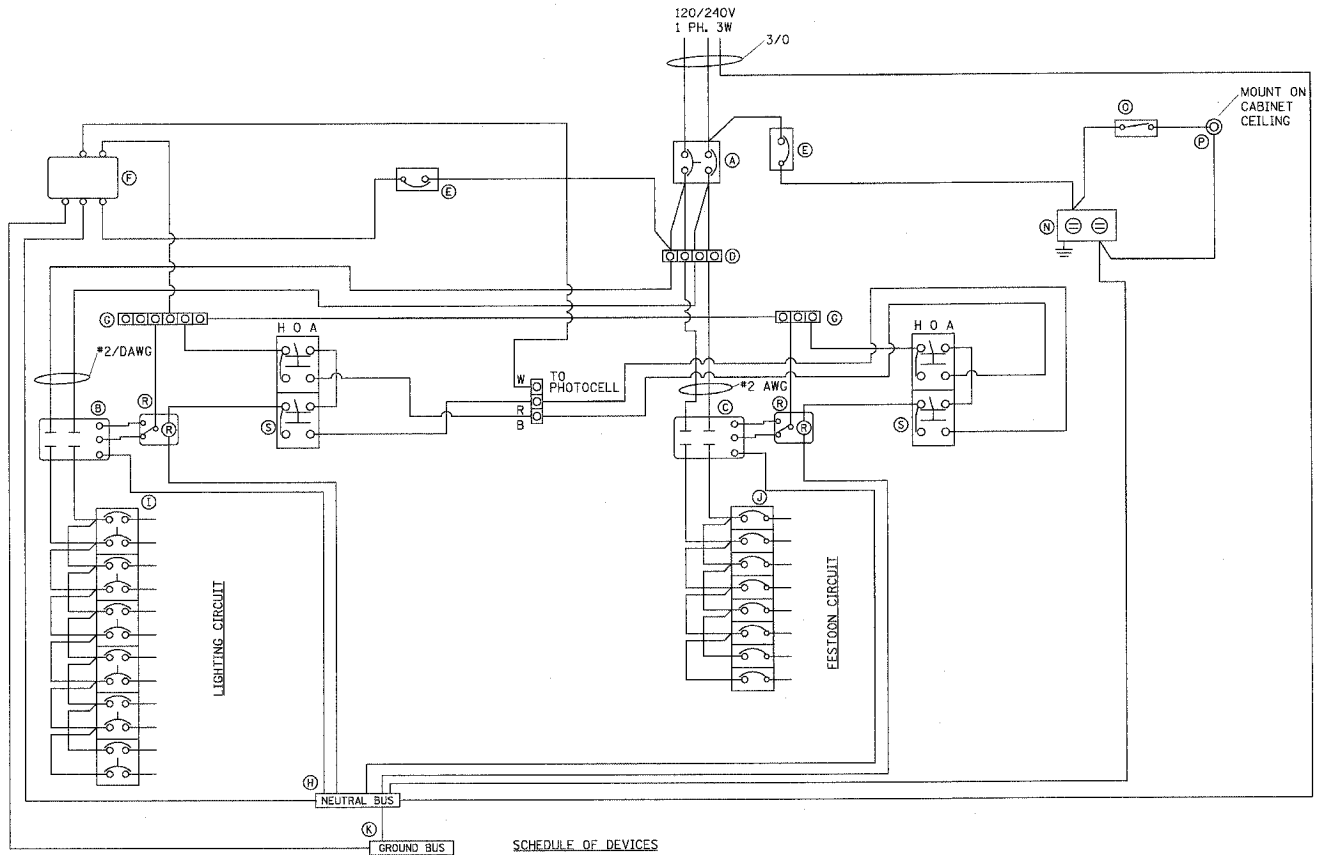
STREETLIGHTS WITHOUT FESTOON OUTLETS



VIEW A-A



CABINET AND FOUNDATION DETAIL



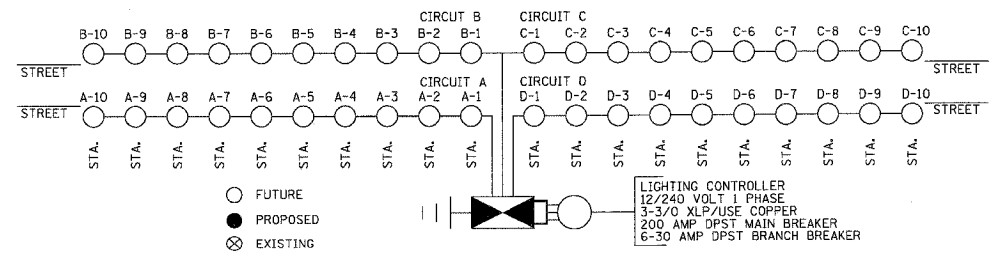
SCHEDULE OF DEVICES

A.	1	MAIN BREAKER 2P, 200A C/H PDB2200
B.	1	CONTRACTOR 2P, 200A SQ. D PBV10 V38
C.	1	CONTRACTOR 2P, 60A SQ. D PBP10 V38
D.	1	TERMINAL BLOCK - 8 TERMINAL
E.	1	CONTROL BREAKER 1P, 15A C/H DHD1015
F.	1	SURGE ARRESTOR 5 - WIRE EDCO SHA-2403
G.	1	TERMINAL BLOCK - 8 TERMINAL
H.	1	NEUTRAL BUS
I.	1	CIRCUIT BREAKER 2P, 30A C/H EHD2030
J.	1	CIRCUIT BREAKER 1P, 30A C/H EHD1030
K.	1	GROUND BUS
N.	1	DUPLEX RECEPTACLE 20A GFCI LEVITON 6899
O.	1	DOOR SWITCH OMRON A2000/BK
P.	1	LIGHT FIXTURE RAB VX1000G
R.	1	CONTROL RELAY MAGNECRAFT W389ACX9
S.	1	H-O-A SWITCH SQ. D 9001 KYK 111

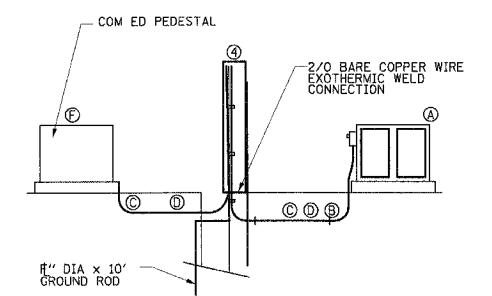
POWER WIRING RHH/RHW
CONTROL WIRING # 12 MTW

NEUTRAL BUS CONNECTOR SCREWS PAINTED WHITE
GROUND BUS CONNECTOR SCREW PAINTED GREEN

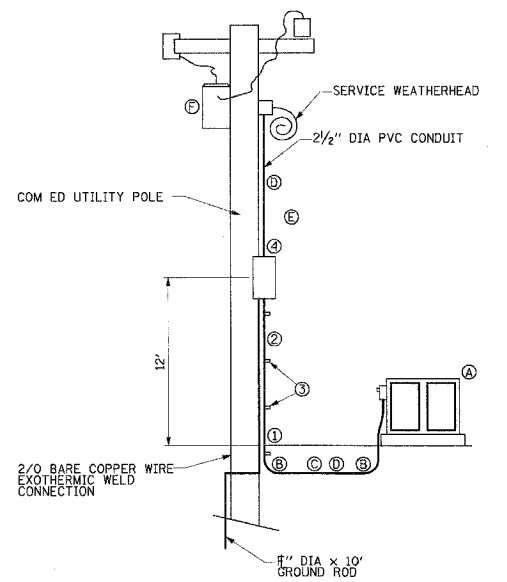
STREETLIGHTS WITH FESTOON OUTLETS



ONE LINE DIAGRAM



PEDestal SERVICE



- Ⓐ LIGHTING CONTROL CABINET, CONSOLE TYPE
- Ⓑ 2-1/2" RGS CONDUIT IN TRENCH
- Ⓒ 2-1/2" RGS CONDUIT IN TRENCH, OR PUSHED AS REQUIRED
- Ⓓ ELECTRICAL CABLE IN CONDUIT ALLOW ENOUGH CABLE FOR CONNECTION TO TRANSFORMER
- Ⓔ ELECTRICAL SERVICE INSTALLATION
 - ① 2-1/2" RGS CONDUIT
 - ② CONDUIT SEALING BUSHING
 - ③ GALVANIZED CONDUIT CLAMPS AND GALVANIZED LAG SCREWS (5" SPACING)
 - ④ NEMA 3R ENCLOSURE WITH 200 AMP BREAKER AND NEUTRAL BUSS
- Ⓕ ELECTRICAL UTILITY SERVICE CONNECTION. COMMONWEALTH EDISON CO. SHALL BE CONTACTED BEFORE THE INSTALLATION OF POWER SUPPLY

SERVICE & DISCONNECT

REVISIONS	
NAME	DATE

ILLINOIS DEPARTMENT OF TRANSPORTATION
MISC. CONSTRUCTION DETAILS
STREET LIGHTING STANDARDS - JOLIET
US ROUTE 30
SHEET 4 OF 4

SCALE: VERT. NONE
HORIZ. NONE
DATE: 3/1/05
DRAWN BY: SNH
CHECKED BY: AMB

CMT
CRAWFORD MURPHY & TILLY, INC.
CONSULTING ENGINEERS
SPRINGFIELD, IL ■ AURORA, IL ■ ST. LOUIS, MO

I:\c00006902\craw\bid\sheet\details-4.dgn