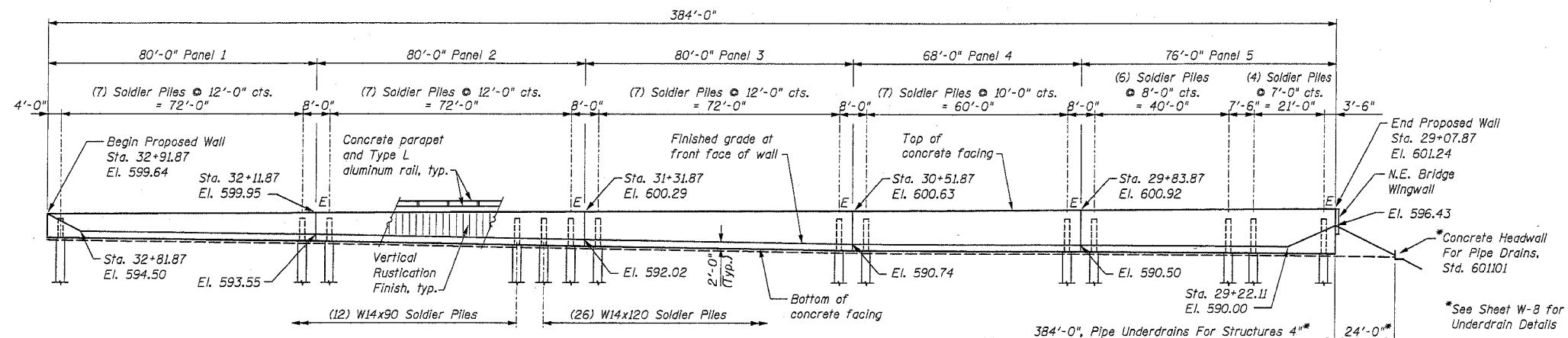


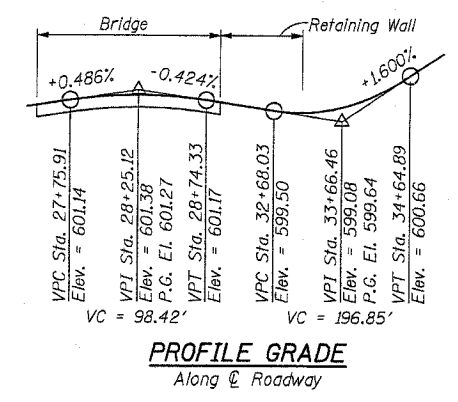
B.M.: Chiseled square at Elev. 597.07 on upstream right abutment of exist. U.S. Rte. 30 bridge over Lily Cache Ck.  
Contractor to reestablish vertical control at commencement of project.

ROUTE NO.	SECTION	COUNTY	SHEET NO.	SHEET
F.A.P. 0575	14BR	WILL	143	96
FED. ROAD DIST. NO. 7		ILLINOIS	FED. AID PROJECT	

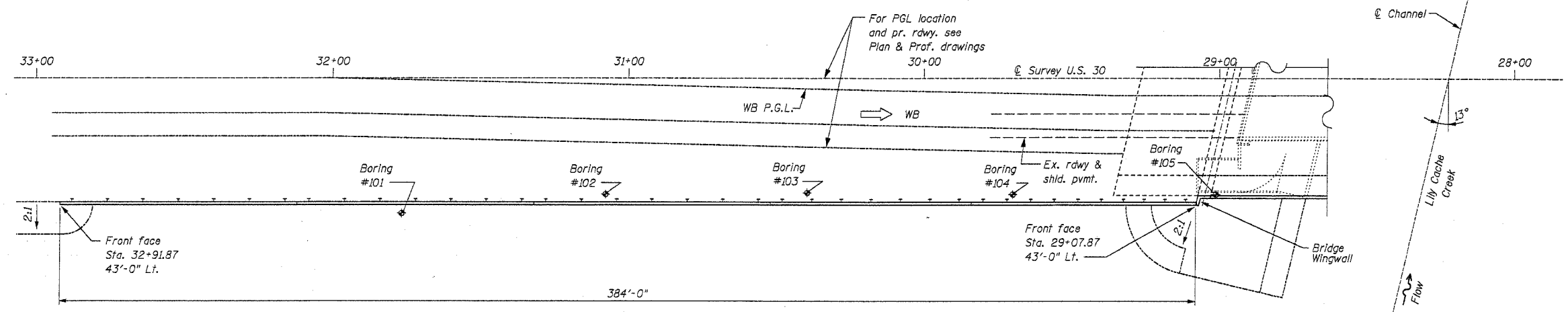
Contract No. 62098



**ELEVATION**  
Looking South



**PROFILE GRADE**  
Along Roadway

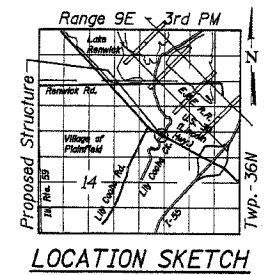


**PLAN**

STATE OF ILLINOIS  
WILLIAM H. BERRY  
081-005150  
APPROVED  
EXPIRES 11/30/06

**APPROVED**  
FOR STRUCTURAL ADEQUACY ONLY  
Ralph E. Anderson  
ENGINEER OF BRIDGES AND STRUCTURES

15	14
22	23



**LOCATION SKETCH**

DESIGNED	MJM
CHECKED	WHE
DRAWN	EAB
CHECKED	WHE

**DESIGN SPECIFICATIONS**  
2002 AASHTO

**DESIGN STRESSES**

**FIELD UNITS**  
 $f'_c = 3,500$  psi  
 $f_y = 60,000$  psi (Reinforcement)  
 $f_y = 50,000$  psi (Grade 50, Soldier Piles)

**LOWCO, INC.**  
CONSULTING ENGINEERS 700 EAST DIEHL ROAD., SUITE 180  
NAPERVILLE, ILLINOIS 60563 (630) 577-9100

REVISIONS	
NAME	DATE

ILLINOIS DEPARTMENT OF TRANSPORTATION  
**GENERAL PLAN AND ELEVATION**  
 DRILLED SOLDIER PILE WALL  
 US ROUTE 30 (LINCOLN HIGHWAY)  
 OVER LILY CACHE CREEK  
 WILL COUNTY  
 F.A.P. ROUTE 0575 SEC. 14BR  
 STATION 31+00.61 NEW STRUCTURE NO. 099-W012  
 DATE 03/24/05