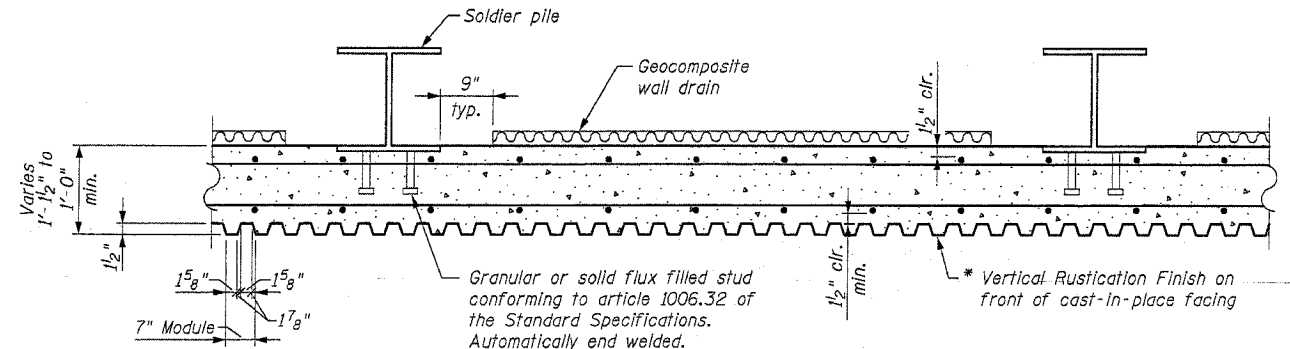


ROUTE NO.	SECTION	COUNTY	TOTAL SHEETS	SHEET NO.
F.A.P. 0575	14BR	WILL	143	103
FED. ROAD DIST. NO. 7		ILLINOIS	FED. AID PROJECT	

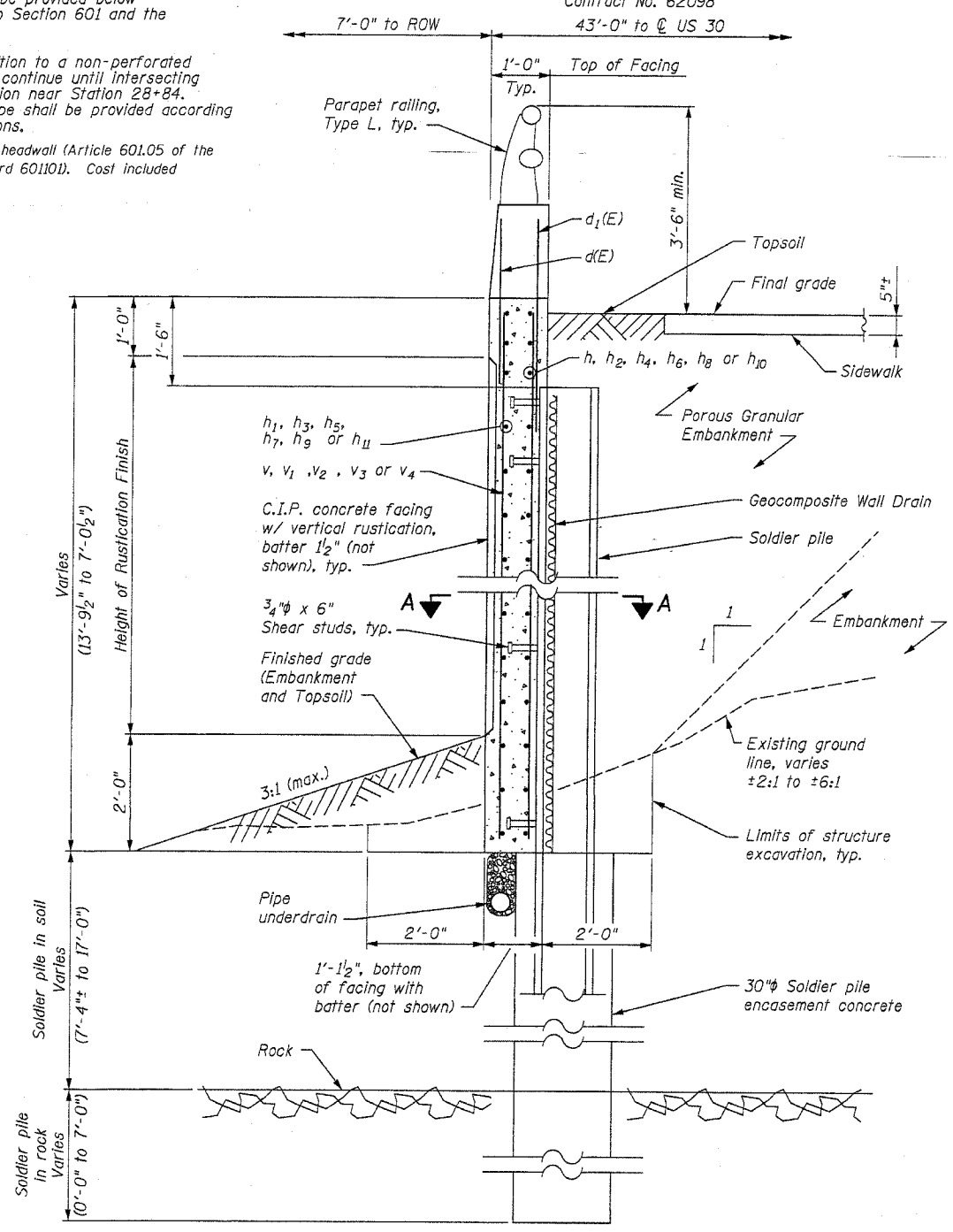
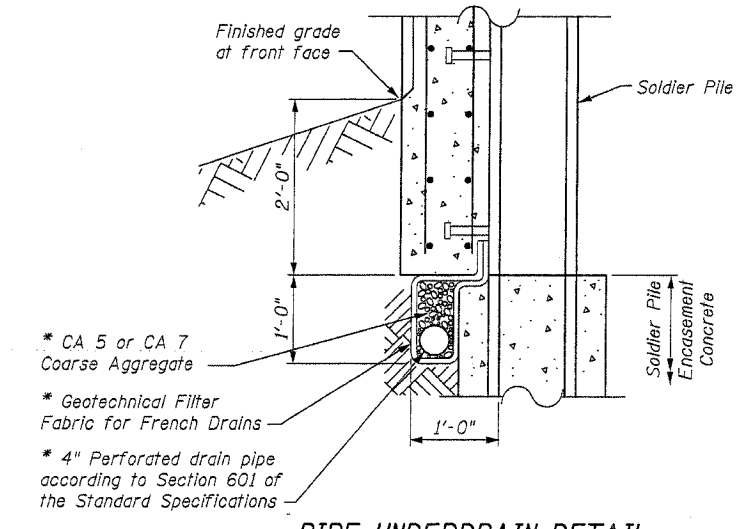
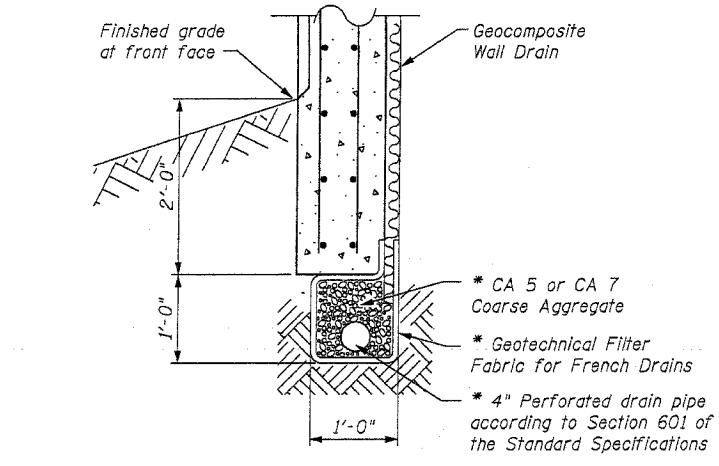
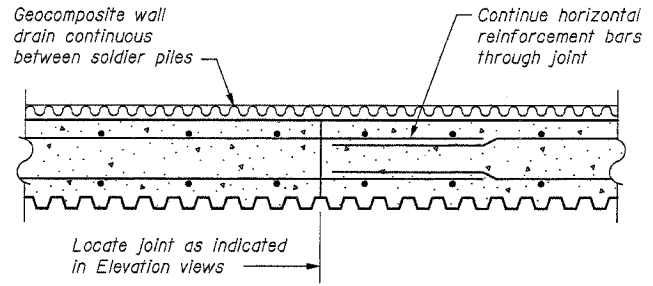
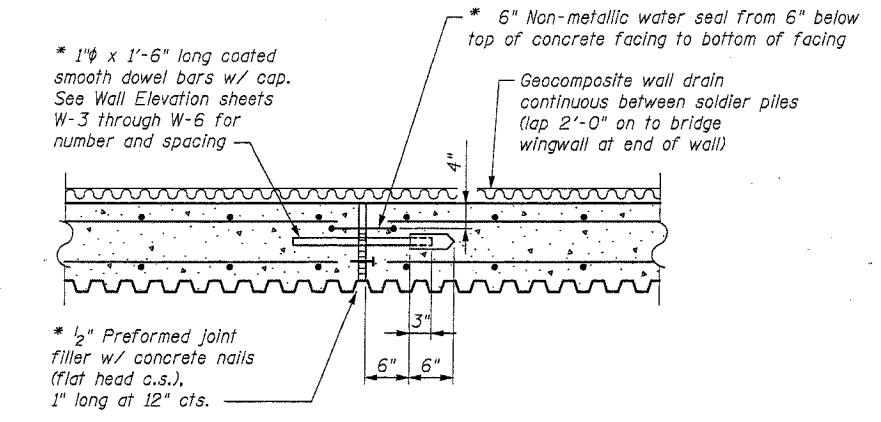
SHEET NO. W-8
W-13 SHEETS

Contract No. 62098
43'-0" to @ US 30



NOTES:

1. Pipe Underdrains for Structures shall be provided below the full length of wall and according to Section 601 and the Special Provisions.
2. The perforated drain pipe shall transition to a non-perforated outlet pipe at the end of the wall and continue until intersecting with the proposed riprap slope protection near Station 28+84. The length of non-perforated outlet pipe shall be provided according to Section 601 and the Special Provisions.
The outlet pipe shall drain onto a concrete headwall (Article 601.05 of the Standard Specifications and Highway Standard 601101). Cost included with Pipe Underdrains for Structures 4".



BILL OF MATERIAL

Item	Unit	Quantity
Pipe Underdrains for Structures 4"	Foot	384
Pipe Underdrains 4" (Special)	Foot	24
Concrete Headwall For Pipe Drains	Each	1

DESIGNED	MJM
CHECKED	WHE
DRAWN	EAB
CHECKED	WHE

REVISIONS	
NAME	DATE

LONGO, INC.
CONSULTING ENGINEERS 700 EAST DIEHL ROAD, SUITE 180
NAPERVILLE, ILLINOIS 60563 (630) 577-9100

ILLINOIS DEPARTMENT OF TRANSPORTATION
WALL CROSS SECTION & DETAILS
DRILLED SOLDIER PILE WALL
US ROUTE 30 (LINCOLN HIGHWAY)
OVER LILY CACHE CREEK
WILL COUNTY
F.A.P. ROUTE 0575 SEC. 14BR
STATION 31+00.51 NEW STRUCTURE NO. 099-W012
DATE 03/24/05