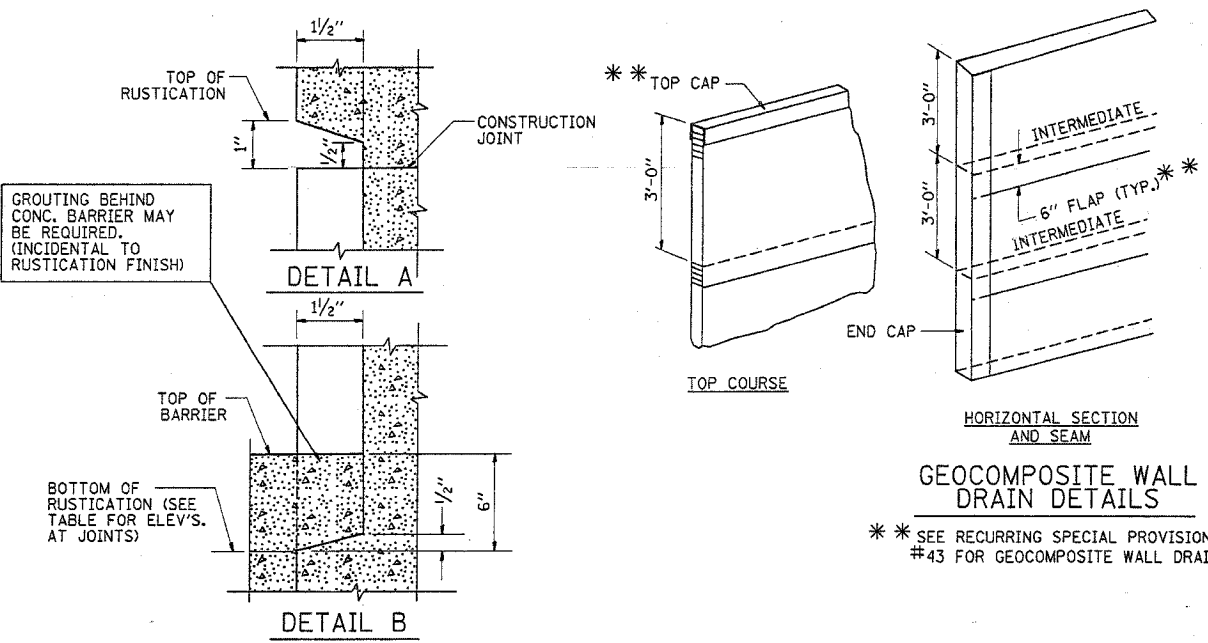
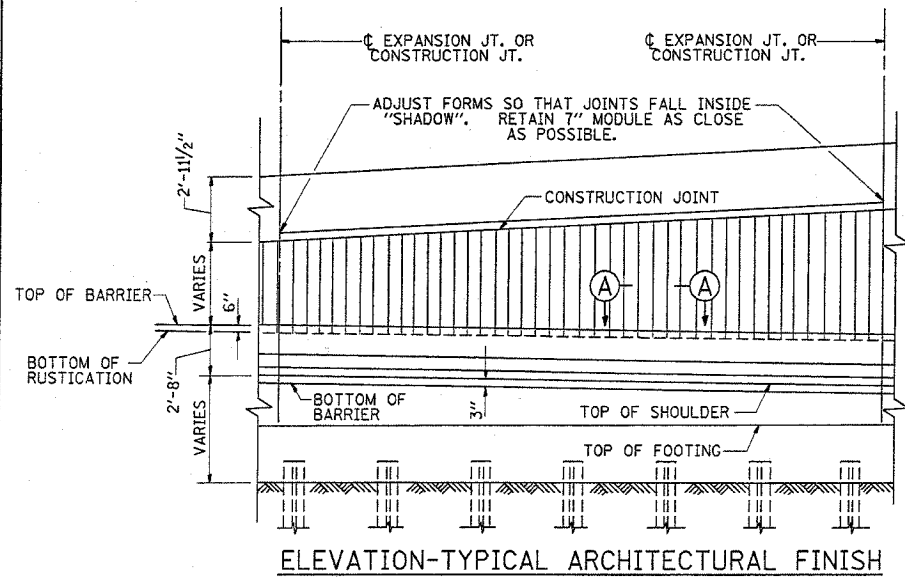


62098

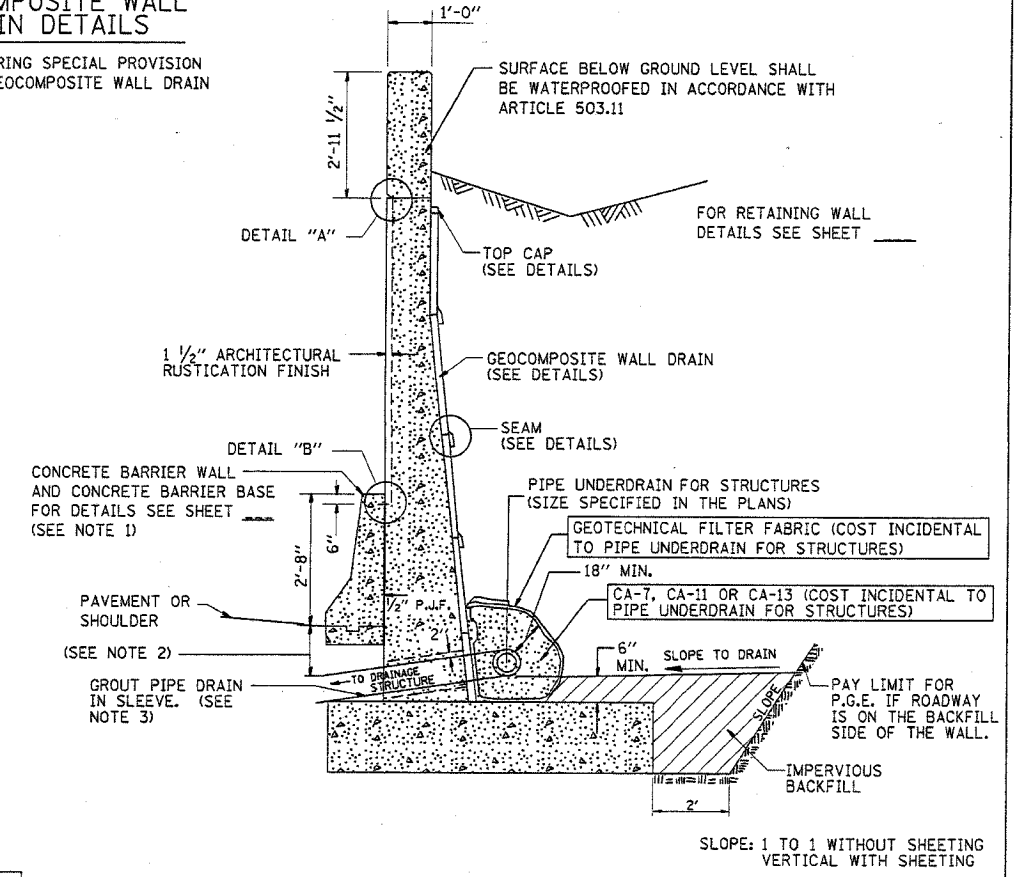
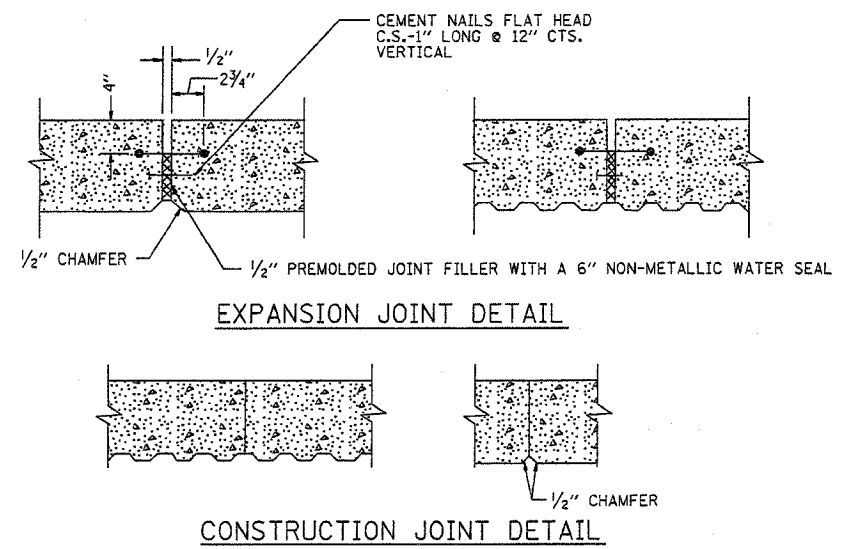
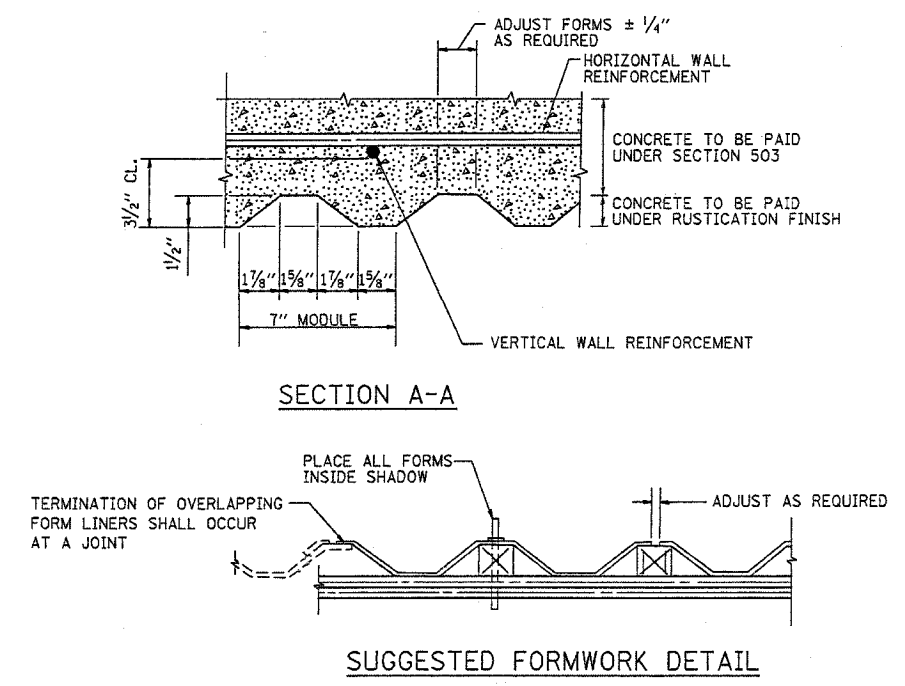
F.A. RFL	SECTION	COUNTY	TOTAL SHEETS	SHEET NO
			143	118
STA.	TO STA.			
FED. ROAD DIST. NO.	ILLINOIS	FED. AID PROJECT		



PREFERRED PAY ITEMS

50400850	*	CLASS X CONCRETE (RETAINING WALL)	(C.Y.)
50400510	*	RUSTICATION FINISH	(S.F.)
60709582	*	PIPE UNDERDRAINS FOR STRUCTURES 6"	(L.F.)
Z0027750	*	GEOCOMPOSITE WALL DRAIN	(S.Y.)
60700200	*	PIPE DRAINS 6"	(L.F.)

*SEE SPECIAL PROVISIONS



WALL # _____		WALL # _____		WALL # _____		WALL # _____		WALL # _____		WALL # _____		WALL # _____	
STATION	ELEVATION	STATION	ELEVATION	STATION	ELEVATION	STATION	ELEVATION	STATION	ELEVATION	STATION	ELEVATION	STATION	ELEVATION

NOTE 1. CONCRETE BARRIER CONSTRUCTION: WHEN THE CONCRETE BARRIER WALL IS TO BE CONSTRUCTED MONOLITHIC WITH THE RETAINING WALL THE DETAILS SHOWN IN THE RETAINING WALL SECTION SHALL GOVERN.

NOTE 2. PIPE DRAIN SLOPE: PRIOR TO THE PLACEMENT OF THE PIPE UNDERDRAIN SLEEVE THE ENGINEER SHALL DETERMINE THE SLOPE REQUIRED FOR THE PIPE UNDERDRAIN TO ENTER BELOW THE DRAINAGE STRUCTURE LID AT OR BELOW THE MINIMUM DISTANCE SHOWN ON THE DETAILS FOR THE STRUCTURE.

NOTE 3. PIPE DRAIN: THE PIPE DRAIN SHALL TERMINATE AT A DRAINAGE STRUCTURE. THE COST OF THE SLEEVE AND GROUT SHALL BE INCIDENTAL TO PIPE DRAINS.

ILLINOIS DEPARTMENT OF TRANSPORTATION

RUSTICATION FINISH AND GEOCOMPOSITE DRAIN FOR RETAINING WALLS

REVISIONS	
NAME	DATE
FORD	11/30/88
FORD	05/15/89
DE YONG	09/07/89
DE YONG	07/11/90
DE YONG	08/18/90
DE YONG	07/09/91
R. WEIDEMAN	02/20/04

SCALE: NONE

DATE 4/6/2005

DRAWN BY CADD

CHECKED BY 80500-02 (80-28)

REVISION DATE: 02/20/04