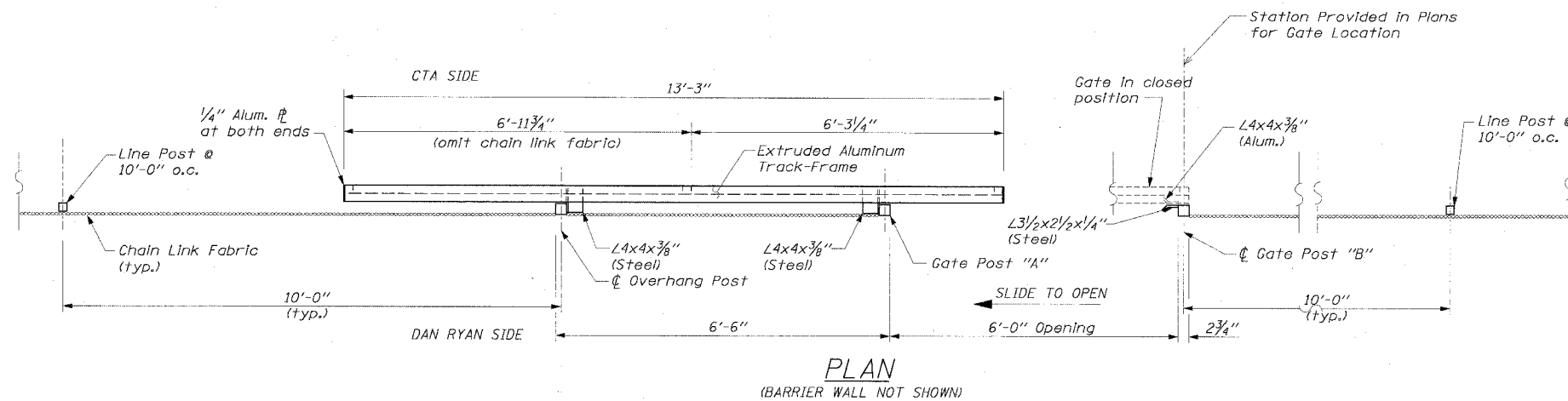
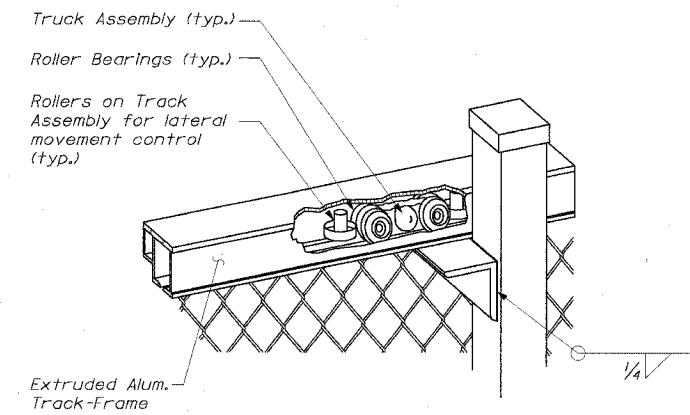


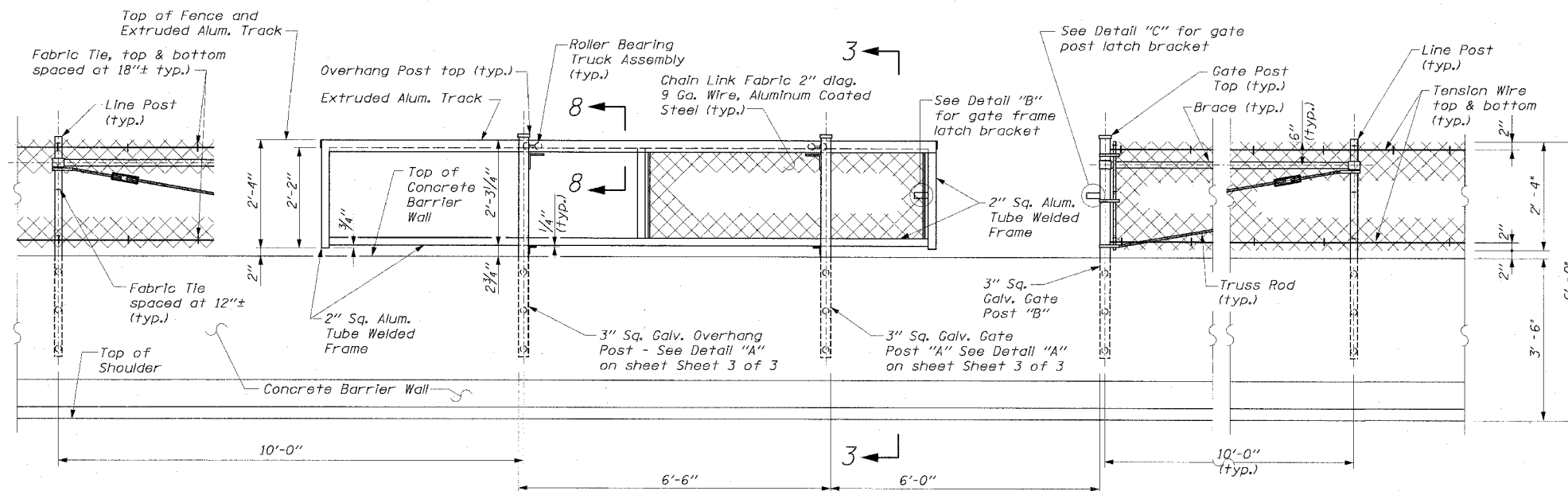
F.A.I. RTE.	SECTION	COUNTY	TOTAL SHEETS	SHEET NO.
94/90	*	COOK	598	398
STA.	TO STA.			
FED. ROAD DIST. NO.	ILLINOIS FED. AID PROJECT			
62302	* (1818, ETC, 2324.6-1)PR-9			



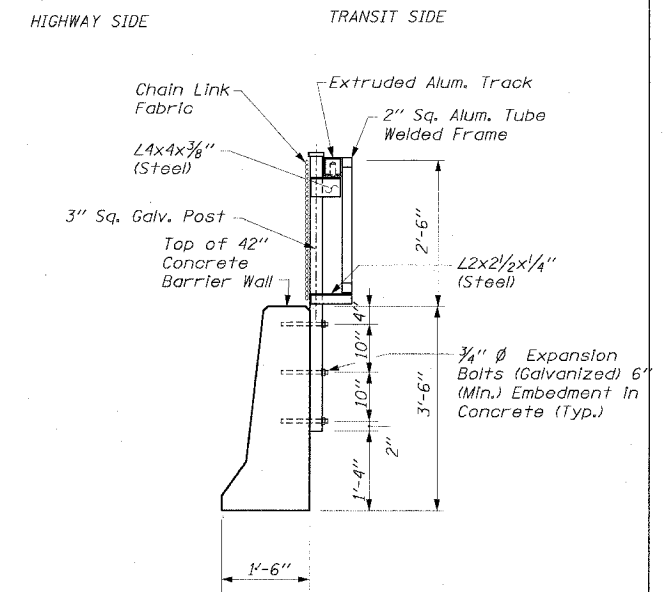
PLAN
(BARRIER WALL NOT SHOWN)



ROLLER BEARING TRUCK ASSEMBLY DETAIL



ELEVATION
CHAIN LINK FENCE SLIDING GATE
(FOOTING NOT SHOWN)



SECTION 3-3

NOTE: For Additional Details and Sections see Sheet 3 of 3

REVISIONS	NAME	DATE

ILLINOIS DEPARTMENT OF TRANSPORTATION
F.A.I. 94/90 (DAN RYAN EXPRESSWAY)
31ST STREET TO 71ST STREET
SB EXPRESS LANE RECONSTRUCTION
CTA FENCE
ELEVATIONS AND DETAILS
SHEET 2 OF 3
SCALE: NONE
DATE: 7/1/05
DRAWN BY: RLK
CHECKED BY: EL

Edwards AND Kelcey
ONE NORTH FRANKLIN
CHICAGO, IL 60606
PHONE: (312) 251-3000
FAX: (312) 251-3015
WEB: WWW.EKCORP.COM

06/24/2005 12:22:20 PM