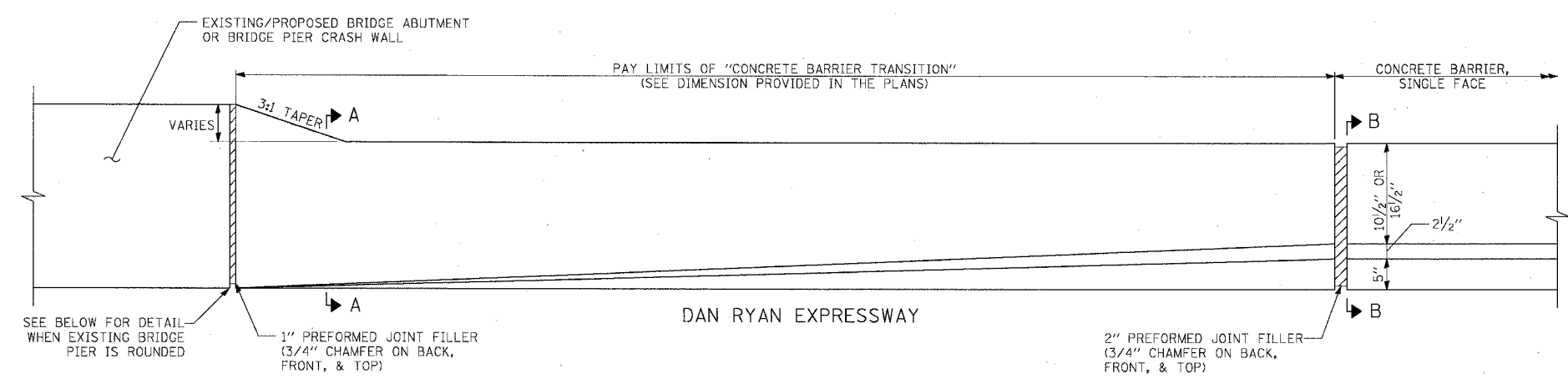
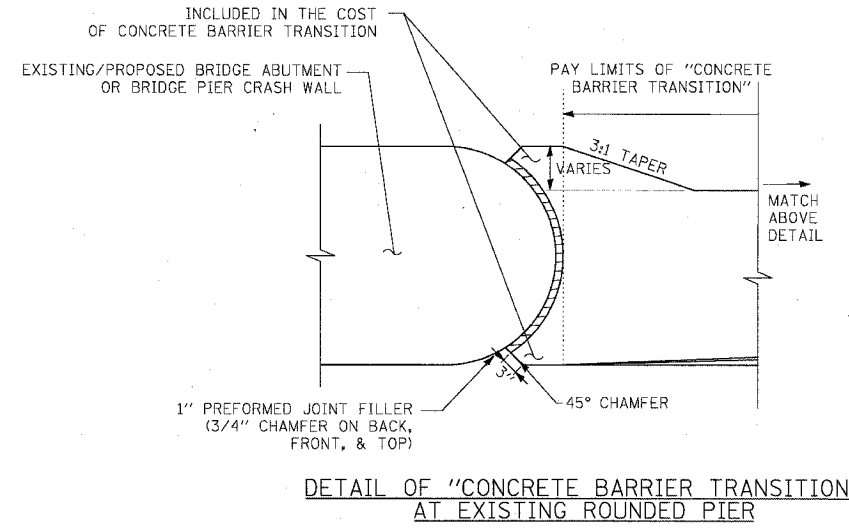


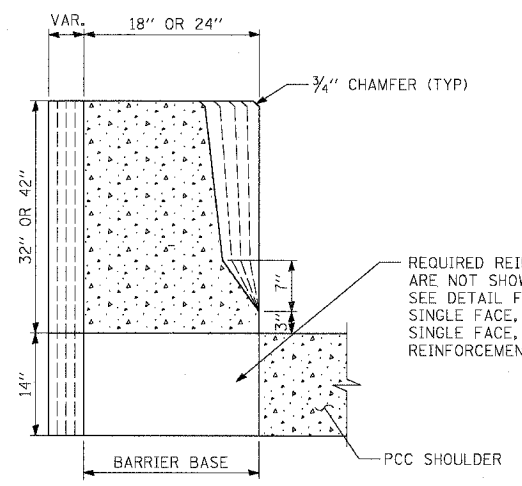
F.A.I. RTE.:	SECTION	COUNTY	TOTAL SHEET SHEETS	NO.
94/90		COOK	598	406
STA.	TO STA.			
FED. ROAD DIST. NO.	ILLINOIS FED. AID PROJECT			
62302	(1818, ETC, 2324.6-1PJR-9			



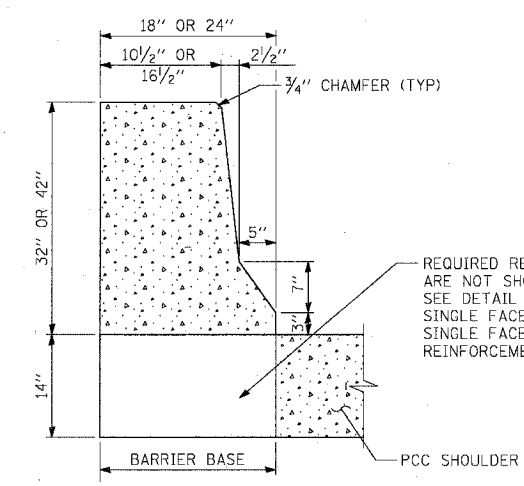
DETAIL OF "CONCRETE BARRIER TRANSITION"
FOR SINGLE FACE BARRIER WALL



DETAIL OF "CONCRETE BARRIER TRANSITION"
AT EXISTING ROUNDED PIER



SECTION A-A
CONCRETE BARRIER TRANSITION



SECTION B-B
CONCRETE BARRIER, SINGLE FACE
& CONCRETE BARRIER BASE

NOTE:
ALL TRANSITIONS PAID FOR AS
CONCRETE BARRIER TRANSITION

Edwards AND Kelcey
ONE NORTH FRANKLIN
CHICAGO, IL 60606
PHONE: (312) 251-3000
FAX: (312) 251-3015
WEB: WWW.EKCORP.COM

REVISIONS	NAME	DATE

ILLINOIS DEPARTMENT OF TRANSPORTATION
F.A.I. 94/90 (DAN RYAN EXPRESSWAY)
31ST STREET TO 71ST STREET
SB EXPRESS LANE RECONSTRUCTION
CONCRETE BARRIER TRANSITION
(SHEET 1 OF 3)
SCALE: NONE
DATE: 7/7/05
DRAWN BY: TAI
CHECKED BY: PJM

CDT-19

06/24/2005 12:24:28 PM