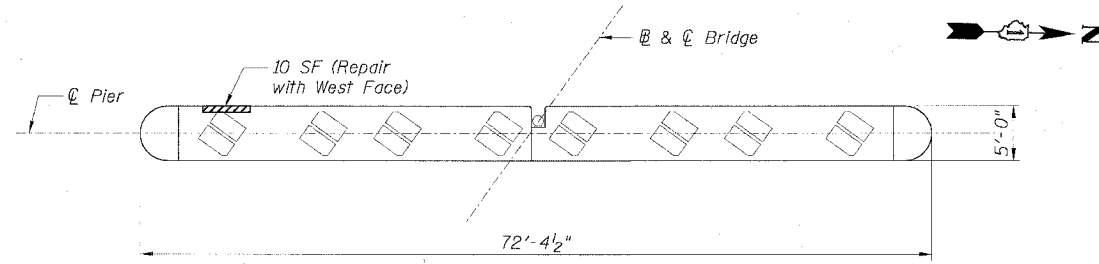
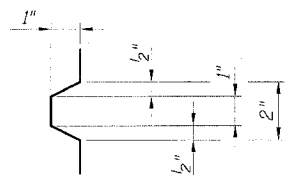


STATE OF ILLINOIS
DEPARTMENT OF TRANSPORTATION

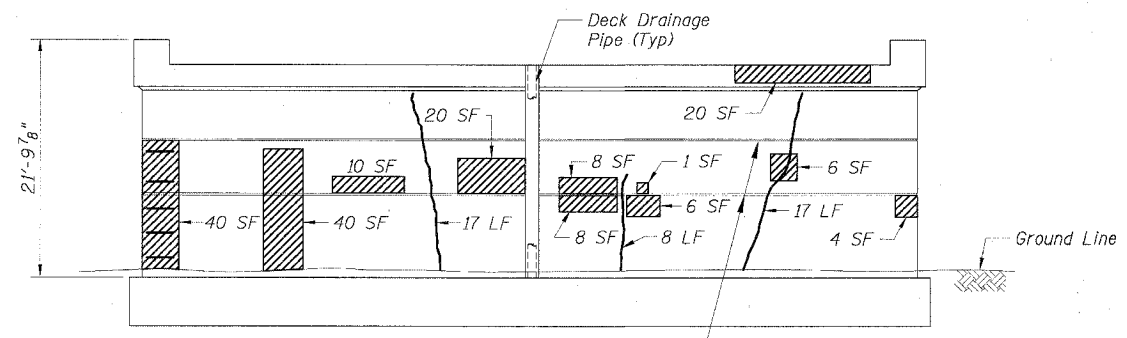
F.A.I. RTE.	SECTION	COUNTY	TOTAL SHEETS	SHEET NO.
90/94		COOK	598	451
STA.		TO STA.		
FED. ROAD DIST. NO. 1		ILLINOIS	FED. AID PROJECT	
• (1818, ETC, 2324.6-1PR-9				62302



PLAN
PIER 4
(S.N. 016-0142)



DETAIL OF
RUSTICATION



ELEVATION
PIER 4 - WEST FACE
(S.N. 016-0142)

LEGEND

- Area of Formed Concrete (Depth Equal to or Less than 5")
- Area of Formed Concrete Repair (Depth Greater than 5")
- Epoxy Crack Sealing

BILL OF MATERIAL		
Item	Unit	Quantity
		Pier 4 West Face
Formed Concrete Repair (Depth Equal to or Less Than 5")	Sq Ft	133
Formed Concrete Repair (Depth Greater Than 5")	Sq Ft	40
Epoxy Crack Sealing	LF	42

REVISIONS	
NAME	DATE

Sheet S3 of 4
ILLINOIS DEPARTMENT OF TRANSPORTATION
F.A.I. 90/94 (DAN RYAN EXPRESSWAY)
**PIER 4 - PLAN AND ELEVATION
SUBSTRUCTURE REPAIRS
CONRAIL BRIDGE (SN 016-0142)
COOK COUNTY**
SCALE: None
DATE: JULY 7, 2005
DRAWN BY: CHD
CHECKED BY: MJP