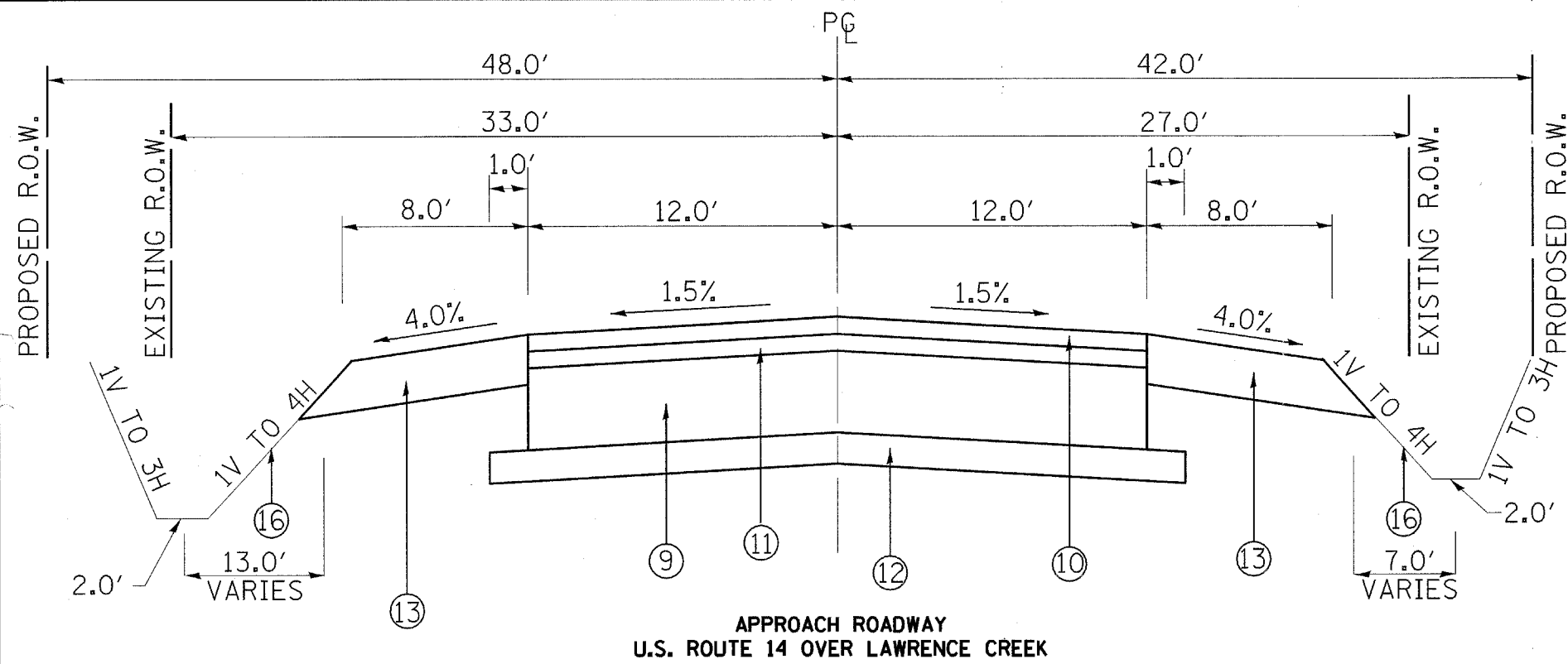


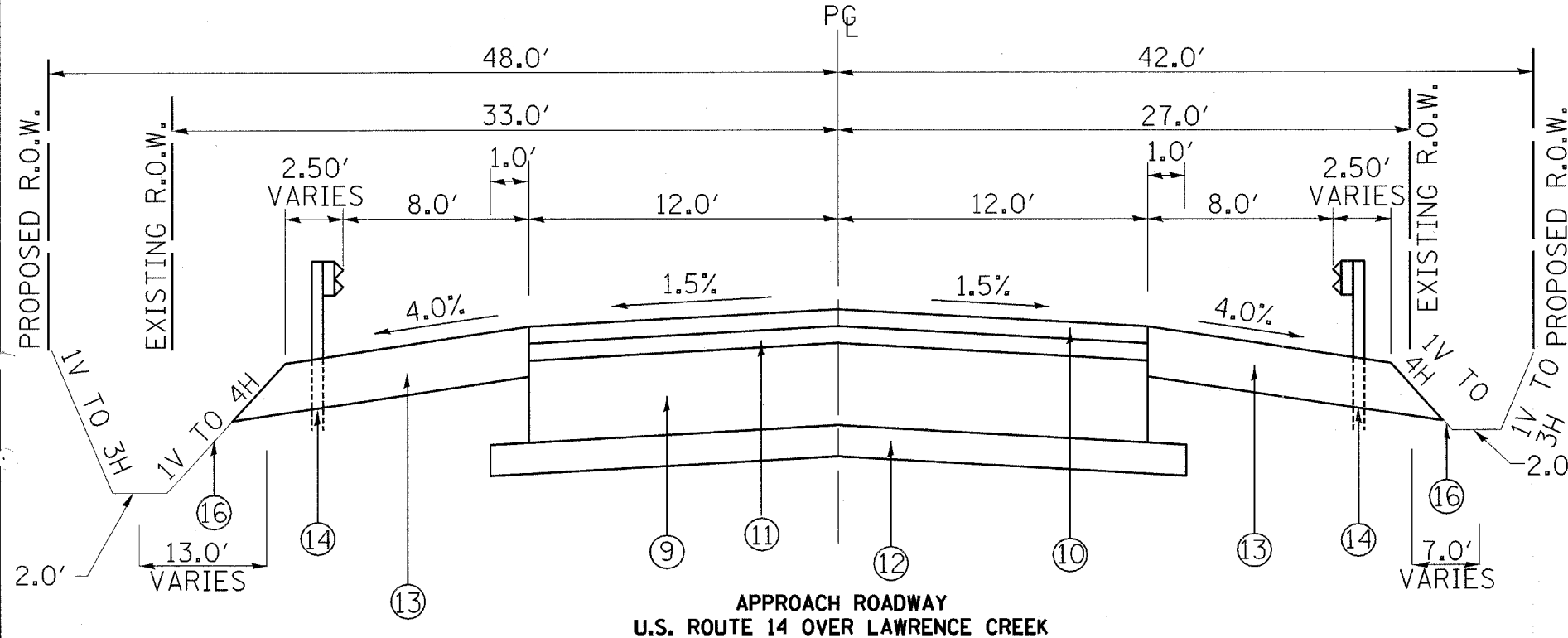
F.A.P. RTE.	SECTION	COUNTY	TOTAL SHEETS	SHEET NO.
066	21 (B&G) R	McHENRY	66	7
STA.		TO STA.		
FED. ROAD DIST. NO.	ILLINOIS	FED. AID PROJECT		

#62391



APPROACH ROADWAY  
U.S. ROUTE 14 OVER LAWRENCE CREEK

STA. 104+00 TO STA. 105+50  
STA. 111+45 TO STA. 115+10



APPROACH ROADWAY  
U.S. ROUTE 14 OVER LAWRENCE CREEK

STA. 105+50 TO STA. 106+87.25  
STA. 107+12.75 TO STA. 109+83.4  
STA. 110+16.6 TO STA. 111+45

**TYPICAL SECTION LEGEND**

- ⑨ -PROPOSED PORTLAND CEMENT CONCRETE BASE COURSE, 9"
- ⑩ -PROPOSED BITUMINOUS CONCRETE SURFACE COURSE, SUPERPAVE, MIX "D," N50, 1 1/2"
- ⑪ -PROPOSED LEVELING BINDER (MACHINE METHOD), SUPERPAVE, N50, 1 1/2"
- ⑫ -PROPOSED SUB-BASE GRANULAR MATERIAL, TYPE B 4" VARIES 14" TO 21" OVER CULVERTS, PAID AS 4"
- ⑬ -PROPOSED BITUMINOUS SHOULDERS SUPERPAVE 10"
- ⑭ -PROPOSED STEEL PLATE BEAM GUARD RAIL, TYPE B
- ⑮ -PROPOSED PRECAST CONCRETE BOX CULVERT
- ⑯ -PROPOSED SEEDING, CLASS 2A, SEEDING, CLASS 4A, & SODDING, SALT TOLERANT

REVISIONS	
NAME	DATE

ILLINOIS DEPARTMENT OF TRANSPORTATION  
U.S. ROUTE 14 OVER LAWRENCE CREEK  
**TYPICAL SECTIONS PROPOSED**

SCALE: NTS  
DRAWN BY CLG  
CHECKED BY JJD

DATE: 2-07-05



3287TYP2.DGN