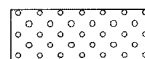


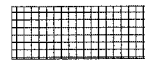




F.A.P. RTE.	SECTION	COUNTY	TOTAL SHEETS	SHEET NO.
066	21 (B&G) R	MCHENRY	66	28
STA.	103+00	TO STA.	115+00	
FED. ROAD DIST. NO.	ILLINOIS	FED. AID PROJECT		

#62391

**LANDSCAPE LEGEND**

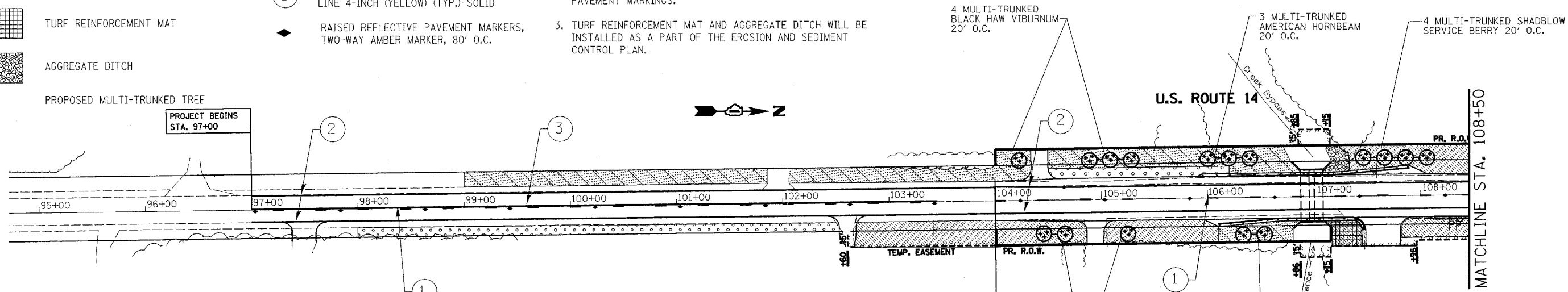
-  SEEDING CLASS 2A AND TOPSOIL FURNISH AND PLACE, 4" WITH EROSION CONTROL BLANKET
-  SEEDING CLASS 4A AND TOPSOIL FURNISH AND PLACE, 4" WITH EROSION CONTROL BLANKET
-  SODDING, SALT TOLERANT AND TOPSOIL FURNISH AND PLACE, 4"
-  TURF REINFORCEMENT MAT
-  AGGREGATE DITCH
-  PROPOSED MULTI-TRUNKED TREE

**PAVEMENT MARKING LEGEND**

- ① THERMOPLASTIC PVMT MARKING LINE 4-INCH (YELLOW) (TYP.) DASHED
- ② THERMOPLASTIC PVMT MARKING LINE 4-INCH (WHITE) (TYP.) SOLID
- ③ THERMOPLASTIC PVMT MARKING LINE 4-INCH (YELLOW) (TYP.) SOLID
- ◆ RAISED REFLECTIVE PAVEMENT MARKERS, TWO-WAY AMBER MARKER, 80' O.C.

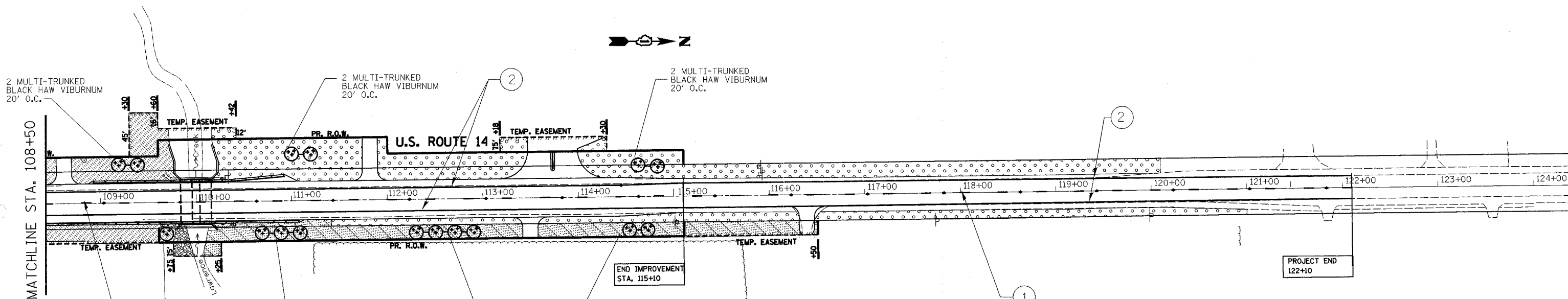
**NOTES:**

1. PERMANENT PAVEMENT MARKINGS SHALL BE THERMOPLASTIC (OF THE EXTRUDED TYPE) CONFORMING TO I.D.O.T. STANDARD SPECIFICATIONS. PERMANENT PAVEMENT MARKINGS SHALL BE IN ACCORDANCE WITH THE "DISTRICT ONE TYPICAL PAVEMENT MARKINGS" DETAIL (TC-13)
2. THE RESIDENT ENGINEER SHALL CONTACT THE AREA TRAFFIC FIELD TECHNICIAN, MS. DEBBIE HANLON AT (847) 438-2300 AT LEAST TWO (2) WEEKS PRIOR TO INSTALLATION OF FINAL PAVEMENT MARKINGS.
3. TURF REINFORCEMENT MAT AND AGGREGATE DITCH WILL BE INSTALLED AS A PART OF THE EROSION AND SEDIMENT CONTROL PLAN.



**RELOCATE SIGN PANEL**

STA.	OFFSET	TYPE OF SIGN	FACING
103+41	24 RT	NO PASSING ZONE	NORTH
107+58	22 LT	ILLINOIS VEHICLE HEIGHT LIMIT	NORTH
110+31	25 LT	CLICK IT OR TICKET	NORTH
115+91	23 LT	ILLINOIS WELCOME	NORTH
117+77	28 RT	TRUCK	SOUTH
119+99	26 RT	BIG FOOT INFORMATION AND 45 MPH SPEED LIMIT	SOUTH



REVISIONS	
NAME	DATE

ILLINOIS DEPARTMENT OF TRANSPORTATION  
U.S. ROUTE 14 OVER LAWRENCE CREEK  
**PROPOSED PAVEMENT MARKINGS AND LANDSCAPING**

SCALE: 1" = 50'  
DATE: 2-11-05  
DRAWN BY: CLG  
CHECKED BY: JJD

