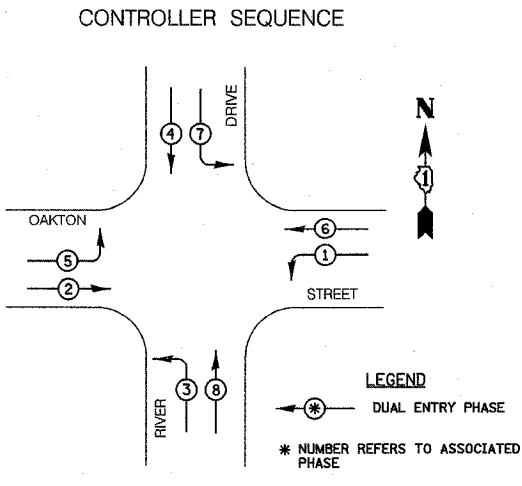


F.A.U. RTE.	SECTION	COUNTY	TOTAL SHEETS	SHEET NO.
1332	2004-022TS	COOK	20	8
STA.		TO STA.		
FED. ROAD DIST. NO.		ILLINOIS	FED. AID PROJECT	
CONTRACT NO. 62741				

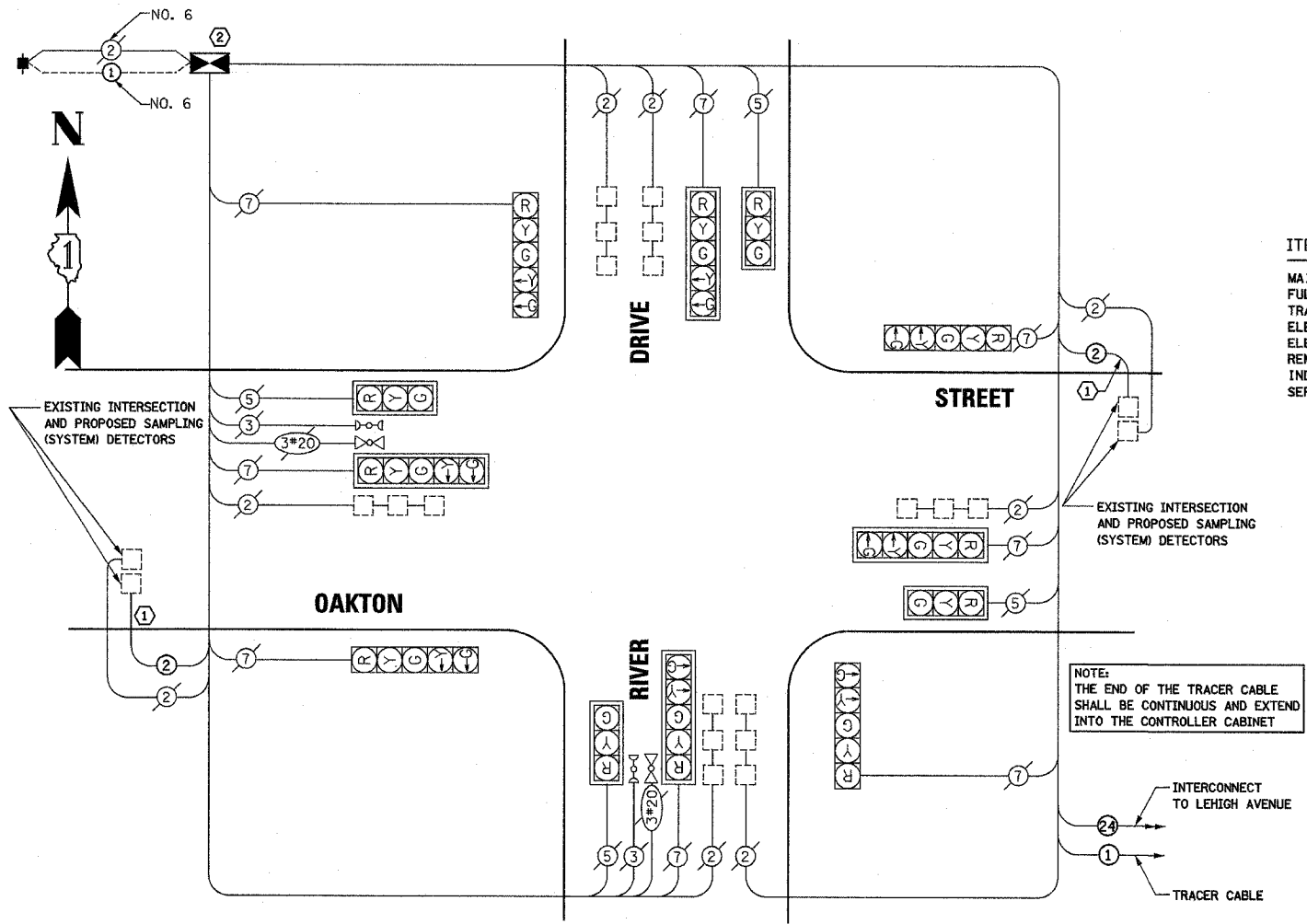
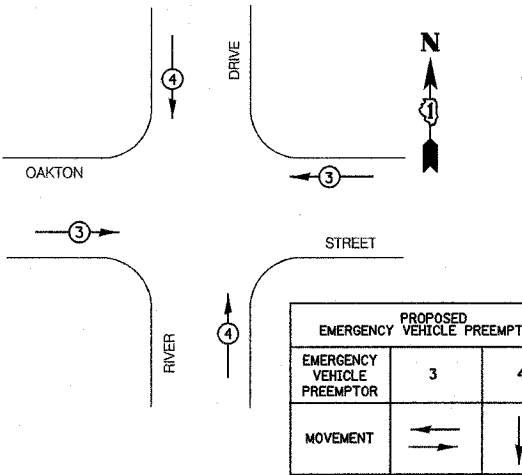
SCHEDULE OF QUANTITIES

ITEM	UNIT	QUANTITY
MAINTENANCE OF EXISTING TRAFFIC SIGNAL INSTALLATION	EACH	1
FULL-ACTUATED CONTROLLER AND TYPE IV CABINET	EACH	1
TRANSCEIVER-FIBER OPTIC	EACH	1
ELECTRIC CABLE IN CONDUIT, LEAD-IN, NO. 14 1 PAIR	FOOT	772
ELECTRIC CABLE IN CONDUIT, GROUNDING, NO. 6 1C	FOOT	62
REMOVE EXISTING TRAFFIC SIGNAL EQUIPMENT	EACH	1
INDUCTIVE LOOP DETECTOR	EACH	10
SERVICE INSTALLATION, POLE MOUNTED	EACH	1



PHASE DESIGNATION DIAGRAM

EMERGENCY VEHICLE PREEMPTION SEQUENCE



- CONSTRUCTION NOTES:**
- 1 INSTALL NEW ELECTRIC CABLE IN CONDUIT, LEAD-IN, NO.14, 1 PAIR
 - 2 REMOVE EXISTING CONTROLLER AND CABINET. INSTALL NEW CONTROLLER AND TYPE IV CABINET. RE-USE EXISTING FOUNDATION. RELOCATE EXISTING EMERGENCY VEHICLE PRIORITY SYSTEM, PHASING UNIT TO NEW CONTROLLER CABINET. THE RELOCATION OF THE EVP PHASING UNIT SHALL BE INCLUDED IN THE COST OF THE CONTROLLER CABINET ITEM.
 - 3 THE CONTRACTOR SHALL BE REQUIRED TO MAINTAIN THE OPERATION OF THE TRAFFIC SIGNALS DURING THE ENTIRE PROJECT.

CABLE PLAN LEGEND

EXISTING	PROPOSED	EXISTING	PROPOSED

I.D.O.T. TRAFFIC SIGNAL INSTALLATION ELECTRICAL SERVICE REQUIREMENTS					TOTAL WATTAGE
TYPE	NO. LAMPS	WATTAGE (INCAND.)	WATTAGE (LED)	X % OPERATION	
SIGNAL (RED)	12	135		0.50	810
(YELLOW)	12	135		0.25	405
(GREEN)	12	135		0.25	405
ARROW	16	135		0.10	216.0
PED. SIGNAL	-	-	-	-	-
CONTROLLER	1	100		1.00	100.0
TOTAL =					2152

ENERGY COSTS - BILLED TO: VILLAGE OF MORTON GROVE, 6101 CAPULINA AVENUE, MORTON GROVE, IL 60053

ENERGY SUPPLY - CONTACT: MR. MIKE LYNCH, (847) 816-5331, COMPANY: COMED

FOUNDATION (DEPTH)	(FT.) (m)	CABLE SLACK	(FT.) (m)	VERTICAL	(FT.) (m)
TYPE A - POST	4 (1.2)	HANDHOLE	6.5 (2.0)	ALL FOUNDATIONS	3.5 (1.0)
D - FOUNDATION	4 (1.2)	DOUBLE HANDHOLE	13 (4.0)	MAST ARM (L) POLE	20' + L - 2' = (6m + L - 0.6m) =
C - M. ARM POLE		SIGNAL POST	2 (1.0)	BRACKET MOUNTED	13 (4.0)
24" (600mm)	10 (3.0)	CONTROLLER CAB.	1 (0.5)	PED. PUSHBUTTON	4 (1.2)
30" (750mm)	15 (4.6)	FIBER OPTIC	13 (4.0)	ELECTRIC SERVICE	13.5 (4.1)
		ELECTRIC SERVICE	1 (0.5)	SERVICE TO GROUND	13.5 (4.1)
		GROUND CABLE	1 (0.5)	POST MOUNTED	6 (1.8)

SETON ENGINEERING
 TRIP SERVICE CORPORATION
 CIVIL ENGINEERS

19 S. BOTHWELL STREET
 PALATINE, ILLINOIS 60067
 VOICE: 847-776-7200 FAX: 847-776-7239

REVISIONS	
NAME	DATE

ILLINOIS DEPARTMENT OF TRANSPORTATION
 CABLE PLAN, PHASE DESIGNATION DIAGRAM
 EMERGENCY VEHICLE PREEMPTION SEQUENCE
 AND SCHEDULE OF QUANTITIES

OAKTON STREET AT RIVER DRIVE
 MORTON GROVE, ILLINOIS

SCALE: N.T.S.
 DATE: 09-20-2004

DRAWN BY: BR
 DESIGNED BY: VJ
 CHECKED BY: TJM