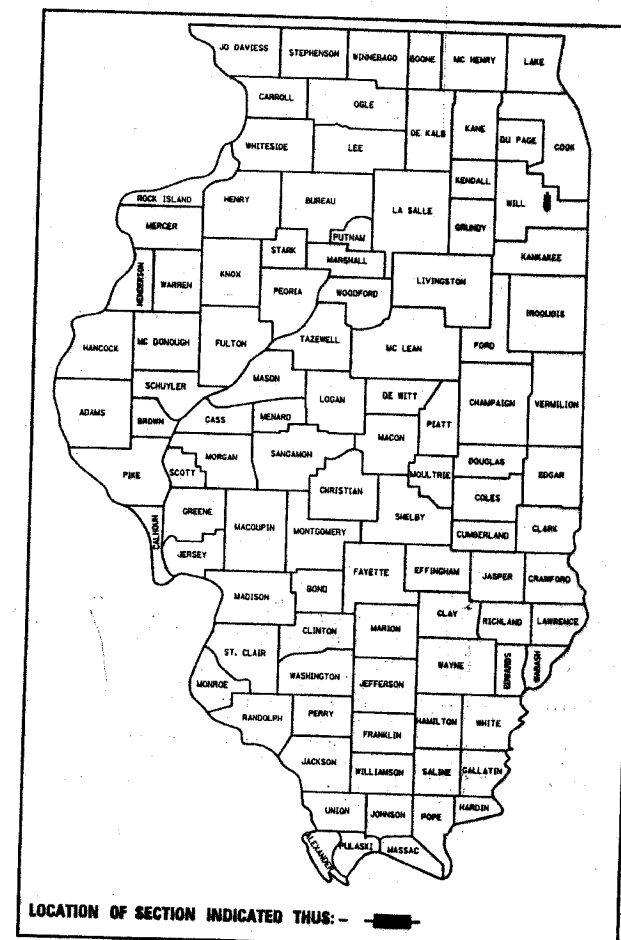


CONTRACT NO. 62884			
F.A.I. RTE.	SECTION	COUNTY	TOTAL SHEETS
55	2004-118 GRR	WILL	14
			SHEET NO. 1

D-91-074-05



LOCATION OF SECTION INDICATED THUS: —

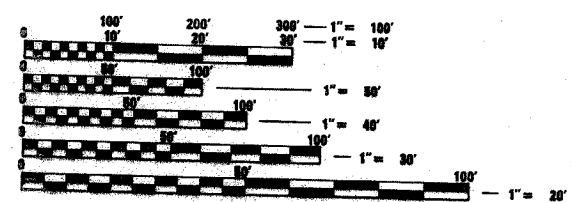
STATE OF ILLINOIS
DEPARTMENT OF TRANSPORTATION
DIVISION OF HIGHWAYS
**PLANS FOR PROPOSED
HIGHWAY**

FAI RTE. 55 : (INTERSTATE 55)
(CATON FARM RD. TO NORTH OF BLACK RD.)
SECTION: 2004-118 GRR
GUARDRAIL INSTALLATION
WILL COUNTY
C-91-074-05
PROJECT: HS-055-6(216)054

FOR INDEX OF SHEETS, SEE SHEET NO. 2

THE IMPROVEMENT IS LOCATED IN THE CITY OF JOLIET IN WILL COUNTY

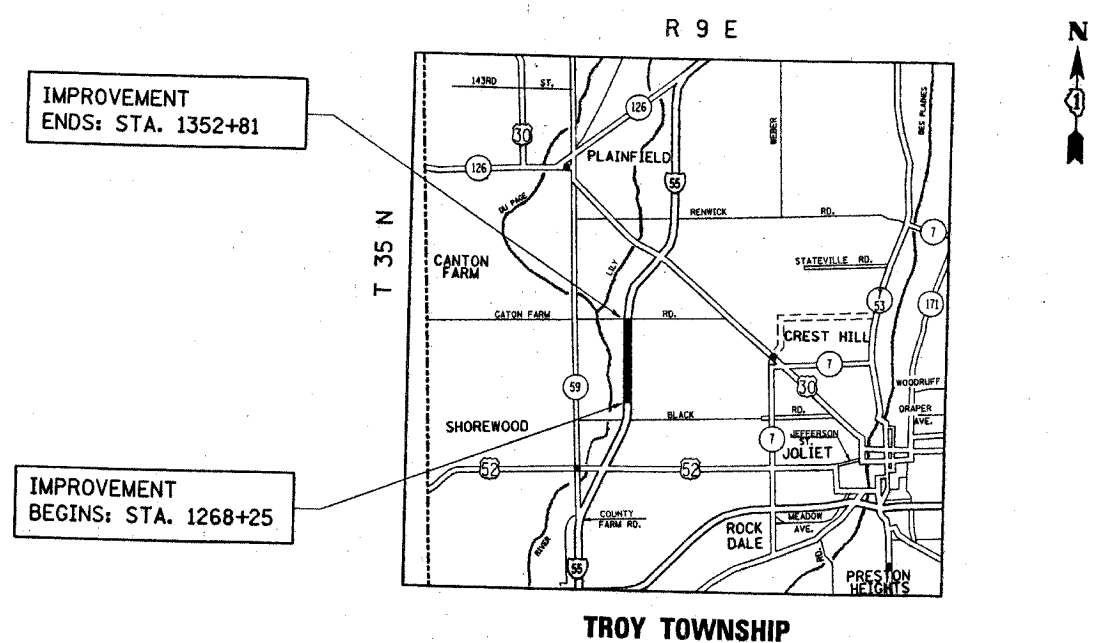
DISTRICT ONE DESIGN PLAN PREPARATION ENGINEER:
KEN ENG/ ISSAM RAYAN (847) 705-4240



FULL SIZE PLANS HAVE BEEN PREPARED USING STANDARD ENGINEERING SCALES. REDUCED SIZED PLANS WILL NOT CONFORM TO STANDARD SCALES. IN MAKING MEASUREMENTS ON REDUCED PLANS, THE ABOVE SCALES MAY BE USED.

J.U.L.I.E.
JOINT UTILITY LOCATION INFORMATION FOR EXCAVATION
1-800-882-0123

CONTRACT NO. 62884



TRAFFIC DATA
2001 ADT = 69400
POSTED SPEED LIMIT= 65 MPH

GROSS AND NET LENGTH OF IMPROVEMENT = 8456 LINEAL FEET = 1.59 MILES

STATE OF ILLINOIS
DEPARTMENT OF TRANSPORTATION
DIVISION OF HIGHWAYS

SUBMITTED April 29, 20 05
Dina O'Keefe
DEPUTY DIRECTOR OF HIGHWAYS, REGION ENGINEER

July 1, 20 05
Nike Hine
ENGINEER OF DESIGN AND ENVIRONMENT

July 1, 20 05
Victor Mader
DIRECTOR OF HIGHWAYS, CHIEF ENGINEER

**PRINTED BY THE AUTHORITY
OF THE STATE OF ILLINOIS**

F.A.I. RTE.	SECTION	COUNTY	TOTAL SHEETS	SHEET NO.
55	2003-118 GRR	WILL	14	2
STA.	TO STA.			
FED. ROAD DIST. NO. 1		ILLINOIS	FED. AID PROJECT	

CONTRACT 62884

INDEX OF SHEETS

SHEET NO.	DESCRIPTION
1	COVER SHEET
2	INDEX OF SHEETS, STANDARDS, AND GENERAL NOTES
3	SUMMARY OF QUANTITIES
4	TYPICAL SECTIONS
5-9	EXISTING AND PROPOSED ROADWAY PLAN
10	PIPE UNDERDRAIN OUTLET EXTENSION DETAILS
11	CONCRETE COLLAR AND INLET BOX DETAILS
12-13	MULTI-LANE FREEWAY PAVEMENT MARKING DETAILS
14	TRAFFIC CONTROL FOR FREEWAY SHOULDER CLOSURES PARTIAL RAMP CLOSURES

LIST OF STATE STANDARDS

STANDARD NO.	DESCRIPTION
000001-04	STANDARD SYMBOLS, ABBREVIATIONS AND PATTERNS
630001-05	STEEL PLATE BEAM GUARDRAIL
635006-02	REFLECTOR AND TERMINAL MARKER PLACEMENT
635011-01	REFLECTOR MARKER AND MOUNTING DETAILS
701101-01	OFF-RD OPERATIONS, MULTILANE LESS THAN 4.5 M (15') AWAY FOR SPEEDS > 45 MPH
701400-02	APPROACH TO LANE CLOSURE, FREEWAY/EXPRESSWAY
701401-03	LANE CLOSURE, FREEWAY/EXPRESSWAY
702001-05	TRAFFIC CONTROL DEVICES

PLAN NOTES

BEFORE STARTING ANY EXCAVATION, THE CONTRACTOR SHALL CALL "JULIE" AT (800) 892-0123 FOR FIELD LOCATIONS OF BURIED ELECTRIC, TELEPHONE AND GAS FACILITIES. (48 HOURS NOTIFICATION IS REQUIRED.)

THE CONTRACTOR SHALL COORDINATE CONSTRUCTION ACTIVITIES WITH UTILITY COMPANIES.

THE CONTRACTOR WILL NOT BE ALLOWED TO SET UP A YARD OR FIELD OFFICE ON STATE PROPERTY WITHOUT WRITTEN PERMISSION FROM THE DEPARTMENT.

THE CONTRACTOR SHALL CALL STATE ELECTRICAL CONTRACTOR AT (773) 287-7600 TO LOCATE STATE OWNED FACILITIES.

THE CONTRACTOR SHALL CONSTRUCT PROJECT IN THE DIRECTION OF TRAFFIC

THE CONTRACTOR SHALL NOT STORE ANY MATERIAS IN THE GRASS MEDIAN

INTERSTATE 55

INTERSTATE 55 STATIONS	EARTH EXCAVATION (CU. YD.)	UNSUITABLE MATERIAL (CU.YD.)	EXCAVATION USED AS EMBANKMENT (SHRINKAGE 15%) (CU.YD.)	EMBANKMENT (CU. YD.)	EARTH WORK BALANCE SURPLUS (+) OR SHORTAGE (-) (CU. YD.)
1268+25 TO 1272+00	19.1	69.4	16.2	104.8	-88.6
1272+00 TO 1287+00	68.0	277.8	57.8	498.5	-440.7
1287+00 TO 1302+00	63.5	277.8	54.0	519.9	-465.9
1302+00 TO 1317+00	70.6	277.8	60.0	475.0	-415.0
1317+00 TO 1332+00	97.3	277.8	82.7	378.4	-295.7
1332+00 TO 1347+00	73.9	277.8	62.8	158.2	-95.4
1347+00 TO 1352+70	43.8	169.6	37.3	132.4	-95.1
TOTAL	436.2	1628	370.8	2267.2	-1896.4

MIXTURE REQUIREMENTS

ITEM	AC TYPE	VOID	RAP %
BITUMINOUS SHOULDER, SUPERPAVE, 10"	PG 58-22	2% @ 30 GYR	50

NOTE:

A THICKNESS OF 6 INCHES OF TOPSOIL STRIPPING SHALL BE USED FOR REMOVAL AND DISPOSAL OF UNSUITABLE MATERIAL.

REVISIONS		ILLINOIS DEPARTMENT OF TRANSPORTATION
NAME	DATE	
		INTERSTATE 55 INDEX OF SHEETS LIST OF STATE STANDARDS PLAN NOTES

SCALE: VERT. : NONE
HORIZ. : NONE
DATE: DRAWN BY: HMO
CHECKED BY:

F.A.I. RTE.	SECTION	COUNTY	TOTAL SHEETS	SHEET NO.
55	2003-118 GRR	WILL	14	3
FED. ROAD DIST. NO. 1		ILLINOIS	HIGHWAY PROJECT	
D -91 -074 -05		CONTRACT 62884		

SUMMARY OF QUANTITIES			TOTAL QUANTITIES	CONSTRUCTION TYPE CODE				
CODE NO	ITEM	UNIT		90% FED. 10% STATE URBAN SFTY-3J				
X0324589	PIPE UNDERDRAIN OUTLET EXTENSION FOR 4" PIPE	EACH	16	16				
20200100	EARTH EXCAVATION	CU YD	437	437				
20201200	REMOVAL AND DISPOSAL OF UNSUITABLE MATERIAL	CU YD	2332	2332				
20400800	FURNISHED EXCAVATION	CU YD	1897	1897				
* 21101615	TOPSOIL FURNISH AND PLACE, 4"	SQ YD	12590	12590				
* 25000210	SEEDING, CLASS 2A	ACRE	2.60	2.60				
* 25000400	NITROGEN FERTILIZER NUTRIENT	POUND	235	235				
* 25000500	PHOSPHORUS FERTILIZER NUTRIENT	POUND	235	235				
* 25000600	POTASSIUM FERTILIZER NUTRIENT	POUND	235	235				
* 25100630	EROSION CONTROL BLANKET	SQ YD	12590	12590				
48101100	AGGREGATE SHOULDERS, TYPE A 12"	SQ YD	5830	5830				
48202800	BITUMINOUS SHOULDERS SUPERPAVE 10"	SQ YD	55	55				
54213669	PRECAST REINFORCED CONCRETE FLARED END SECTIONS 24"	EACH	2	2				
54247130	GRATING FOR CONCRETE FLARED END SECTION 24"	EACH	2	2				
54248515	CONCRETE COLLAR	EACH	32	32				
542A0229	PIPE CULVERTS, CLASS A, TYPE 1 24"	FOOT	8	8				
60100060	CONCRETE HEADWALL FOR PIPE DRAINS	EACH	4	4				
63000145	STEEL PLATE BEAM GUARD RAIL, TYPE D (SPECIAL)	FOOT	8235	8235				
63100085	TRAFFIC BARRIER TERMINAL, TYPE 6	EACH	1	1				
63100167	TRAFFIC BARRIER TERMINAL TYPE 1, SPECIAL (TANGENT)	EACH	1	1				
63304390	TRAFFIC BARRIER TERMINAL REMOVAL, TYPE 1A	EACH	1	1				
67000400	ENGINEER'S FIELD OFFICE, TYPE A	CAL MO	4	4				
67100100	MOBILIZATION	L SUM	1	1				
78200405	GUARDRAIL MARKERS	EACH	30	30				
X0301893	REMOVE AND REINSTALL CONCRETE HEADWALL FOR PIPE DRAIN	EACH	16	16				

SUMMARY OF QUANTITIES			TOTAL QUANTITIES	CONSTRUCTION TYPE CODE				
CODE NO	ITEM	UNIT		90% FED. 10% STATE URBAN SFTY-3J				
X6330105	TRAFFIC BARRIER TERMINAL REMOVAL, TYPE 1 SPECIAL	EACH	1	1				
X7011015	TRAFFIC CONTROL AND PROTECTION (EXPRESSWAYS)	L SUM	1	1				
X7015000	CHANGEABLE MESSAGE SIGN	CAL MO	3	3				
Δ Z0029999	IMPACT ATTENUATOR REMOVAL	EACH	1	1				
Δ Z0030030	IMPACT ATTENUATORS (FULLY REDIRECTIVE, NARROW), TEST LEVEL 3	EACH	1	1				
Δ Z0030330	IMPACT ATTENUATORS, RELOCATE (FULLY REDIRECTIVE), TEST LEVEL 3	EACH	1	1				

* SPECIALTY ITEMS

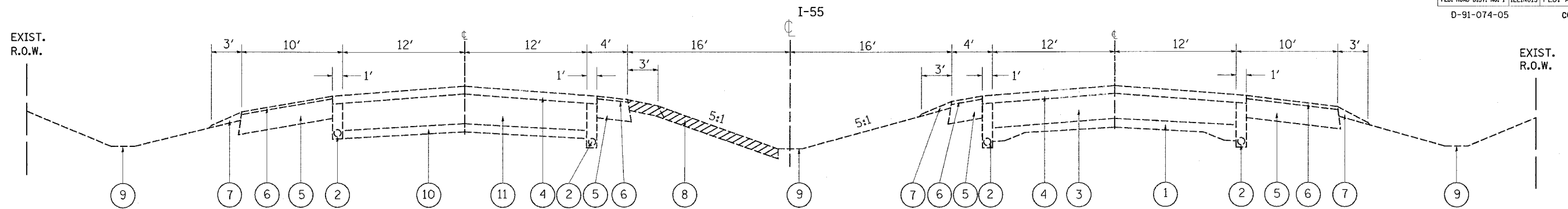
Δ SFTY-3N

REVISIONS	
NAME	DATE

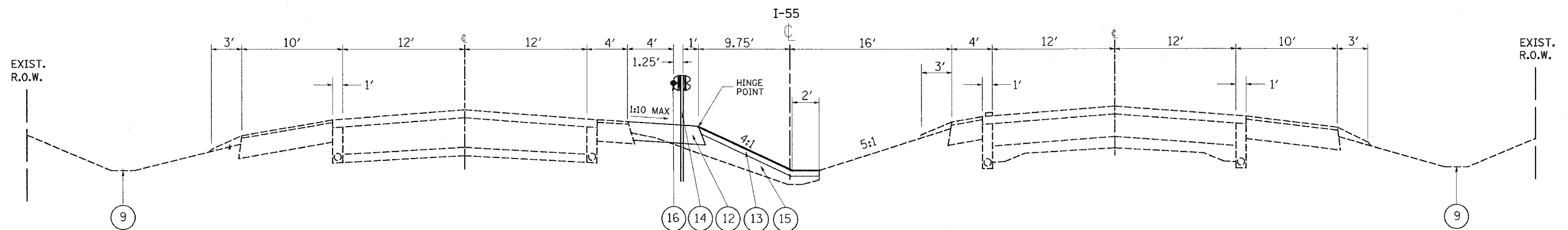
ILLINOIS DEPARTMENT OF TRANSPORTATION
SUMMARY OF QUANTITIES
FAI 55/ I-55
CATON FARM ROAD TO N/O BLACK ROAD

PLOT DATE: 6/14/2005

F.A.I. RTE.	SECTION	COUNTY	TOTAL SHEETS	SHEET NO.
55	2003-118 GRR	WILL	14	4
STA. 1268+25		TO STA. 1352+19		
FED. ROAD DIST. NO. 1		ILLINOIS FED. AID PROJECT		
D-91-074-05		CONTRACT 62884		



I-55
EXISTING TYPICAL CROSS SECTION
STA 1268+25 TO STA 1352+19



I-55
PROPOSED TYPICAL CROSS SECTION
STA 1268+25 TO STA 1317+43
STA 1317+71 TO STA 1336+00
STA 1336+25 TO STA 1352+19

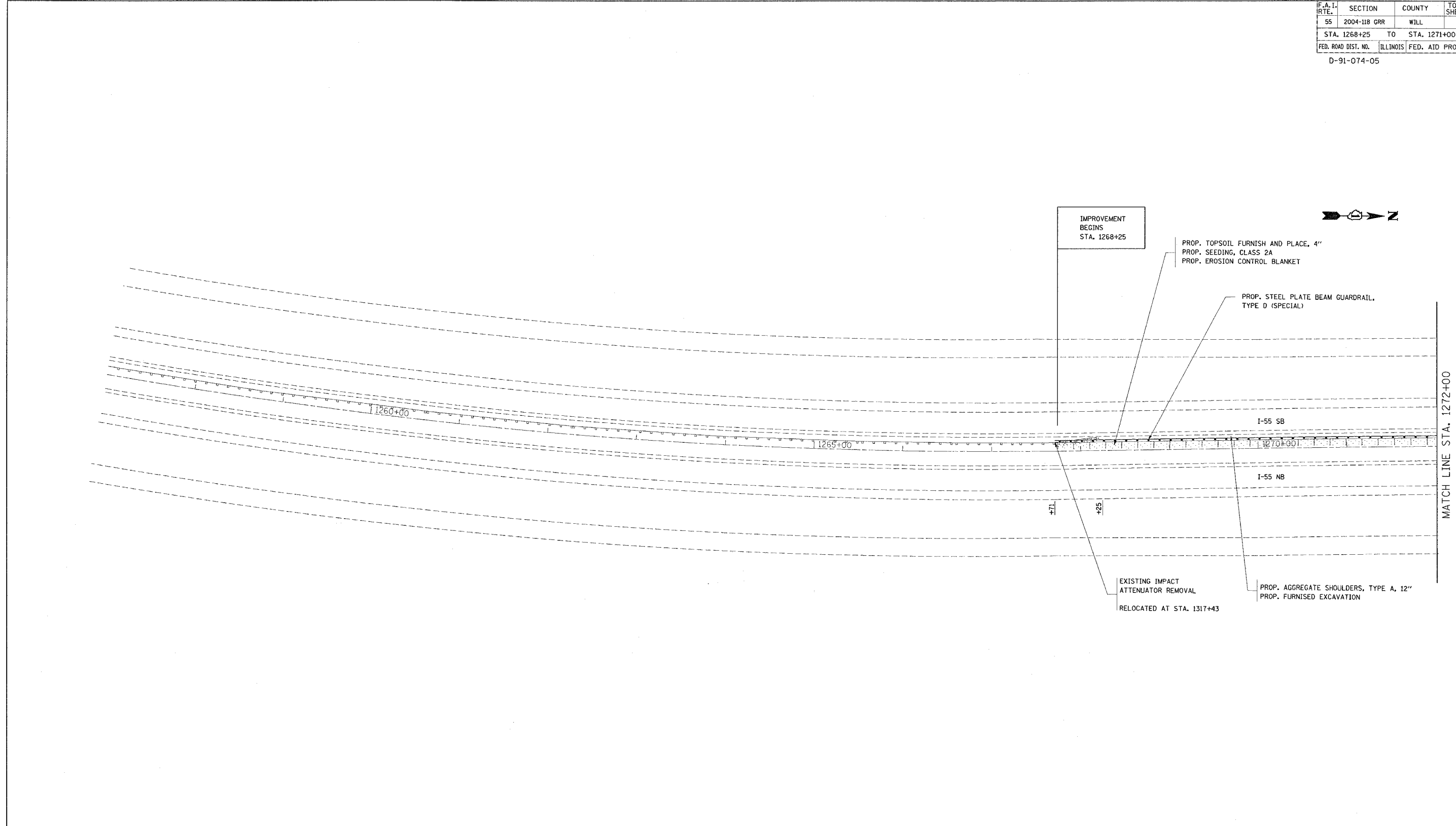
LEGEND

- | | |
|--------------------------------------------------------------------------------------------------------------------------------|---------------------------------------------------------------------------------------------|
| ① EXISTING P.C.C. BASE COURSE 9" - 7" - 9" | ⑩ EXISTING SUB BASE GRANULAR MATERIAL, 4" |
| ② EXISTING PIPE UNDERDRAIN, 4" | ⑪ EXISTING P.C.C. PAVEMENT, 10" |
| ③ EXISTING BIT. CONC. BINDER COURSE, 16" | ⑫ PROPOSED AGGREGATE SHOULDER, TYPE A, 12" |
| ④ EXISTING BIT. CONC. SURFACE COURSE, ±5" | ⑬ PROPOSED -TOPSOIL FURNISH AND PLACE, 4'
-SEEDING, CLASS 2A
-EROSION CONTROL BLANKET |
| ⑤ EXISTING BITUMINOUS SHOULDER, 12½" | ⑭ PROPOSED STEEL PLATE BEAM GUARDRAIL, TYPE D SPECIAL |
| ⑥ EXISTING BITUMINOUS CONC. SURFACE COURSE, 1½" | ⑮ PROPOSED FURNISHED EXCAVATION |
| ⑦ EXISTING AGGREGATE SHOULDER, TYPE B (6") | ⑯ PROPOSED GUARDRAIL MARKERS |
| ⑧ EXISTING AGGREGATE SHOULDER, TYPE B (6") & TOP SOIL (4") TO BE REMOVED (PAID AS REMOVAL AND DISPOSAL OF UNSUITABLE MATERIAL) | |
| ⑨ EXISTING GROUND DITCH | |

REVISIONS	
NAME	DATE

ILLINOIS DEPARTMENT OF TRANSPORTATION
INTERSTATE 55
EXISTING AND PROPOSED TYPICAL SECTION
SCALE : NONE
6/14/2005
DRAWN BY: HMO
CHECKED BY:

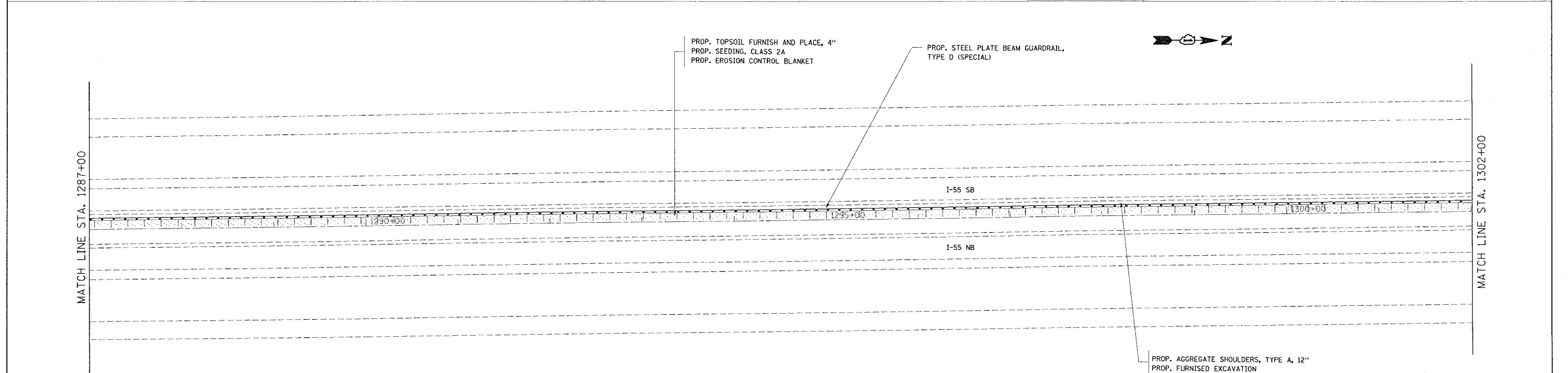
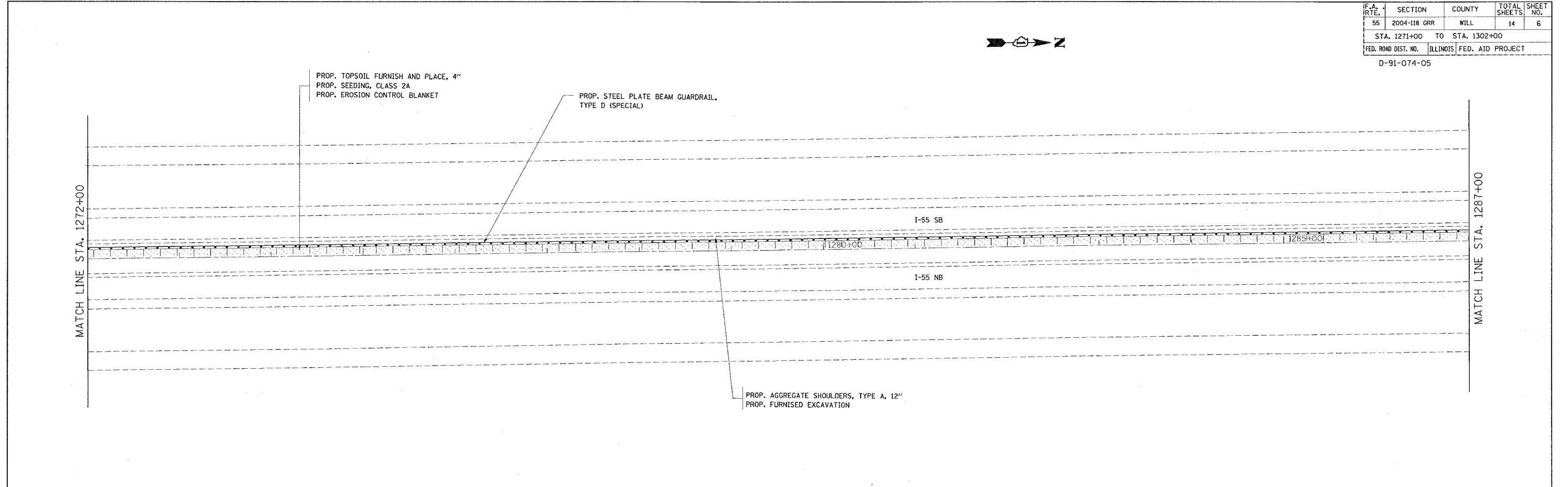
F.A.I. RTE.	SECTION	COUNTY	TOTAL SHEETS	SHEET NO.
55	2004-118 GRR	WILL	14	5
STA. 1268+25 TO STA. 1271+00				
FED. ROAD DIST. NO.		ILLINOIS	FED. AID PROJECT	
D-91-074-05				



REVISIONS		ILLINOIS DEPARTMENT OF TRANSPORTATION
NAME	DATE	
		FAI 55/ I-55 CATON FARM ROAD TO N/O BLACK ROAD EXISTING / PROPOSED ROADWAY PLAN
SCALE:	VERT. / HORIZ.	DRAWN BY: HMO
DATE		CHECKED BY

PLOT DATE = 6/14/2005
 FILE NAME = c:\projects\107405\unt_01.dwg
 SCALE = 800000 / IN.
 REFERENCE = REF.P

I.F.A. RTE.	SECTION	COUNTY	TOTAL SHEETS	SHEET NO.
55	2004-118 GRR	WILL	14	6
STA. 1271+00 TO STA. 1302+00		ILLINOIS FED. AID PROJECT		
FED. ROAD DIST. NO.		D-91-074-05		

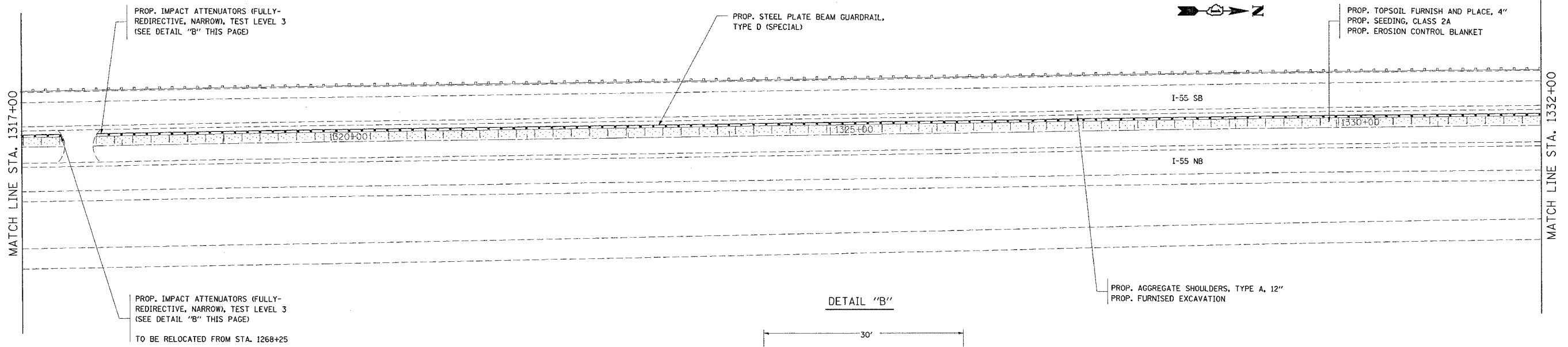
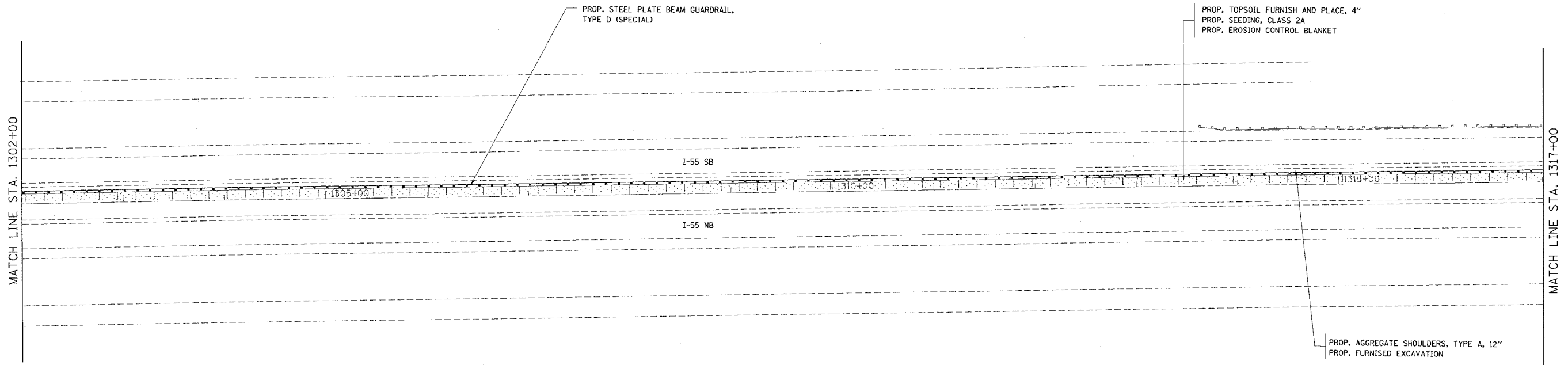


PLOT DATE = 05/14/2005
 FILE NAME = C:\p1\2005\118\118.dwg
 PLOT SCALE = 1/8" = 1'-0"
 REFERENCE = REF#

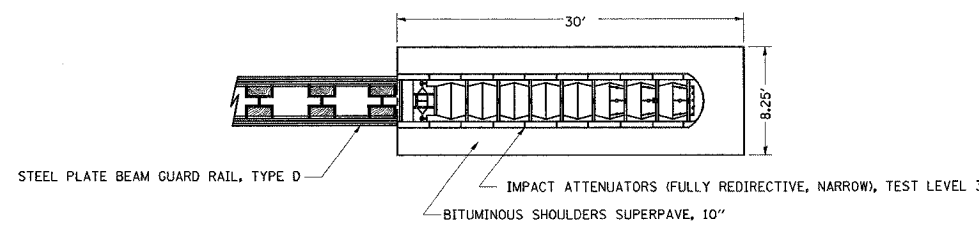
REVISIONS	
NAME	DATE

ILLINOIS DEPARTMENT OF TRANSPORTATION
 FAI 55/ I-55
 CATON FARM ROAD TO N/O BLACK ROAD
 EXISTING / PROPOSED ROADWAY PLAN
 SCALE: VERT. _____
 HORIZ. _____
 DATE _____
 DRAWN BY: HMD
 CHECKED BY: _____

F.A. RTE.	SECTION	COUNTY	TOTAL SHEETS	SHEET NO.
55	2004-118 GRR	WILL	14	7
STA. 1302+00 TO STA. 1332+00		ILLINOIS FED. AID PROJECT		
FED. ROAD DIST. NO.		D-91-074-05		



DETAIL "B"



REVISIONS	
NAME	DATE

ILLINOIS DEPARTMENT OF TRANSPORTATION

FAI 55/ I-55

CATON FARM ROAD TO N/O BLACK ROAD

EXISTING / PROPOSED ROADWAY PLAN

SCALE: VERT. _____

HORIZ. _____

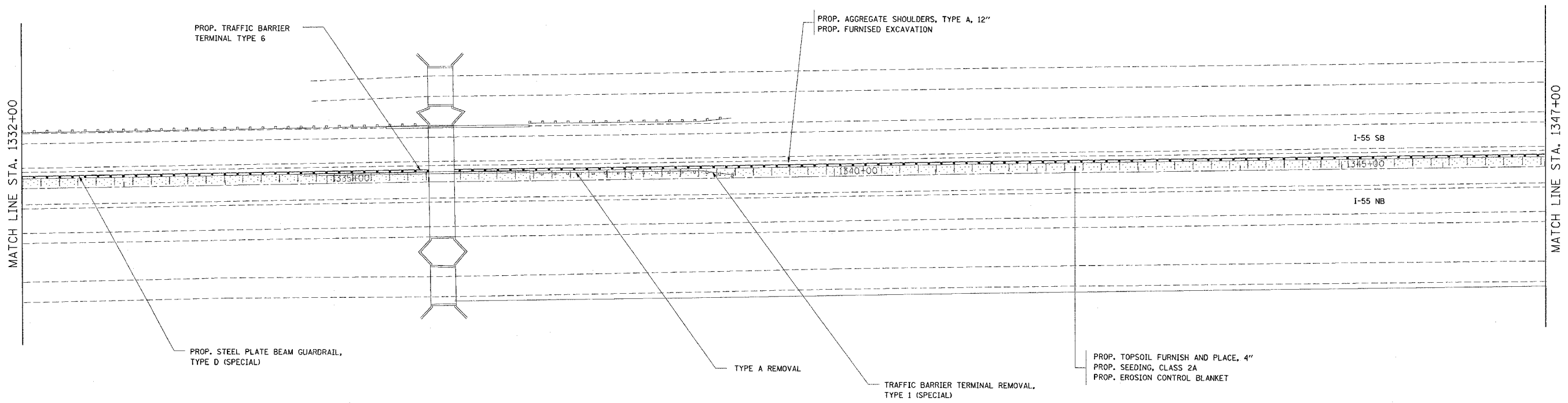
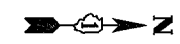
DATE _____

DRAWN BY: HMO

CHECKED BY _____

PLOT DATE = 6/14/2005
 FILE NAME = c:\p\projects\187485\sh_t-all.mxd
 PLOT SCALE = 50.00000 / IN.
 REFERENCE = REF#

F.A. RTE.	SECTION	COUNTY	TOTAL SHEETS	SHEET NO.
55	2004-118 GRR	WILL	14	8
STA. 1332+00 TO		STA. 1347+00		
FED. ROAD DIST. NO.	ILLINOIS	FED. AID PROJECT		
D-91-074-05				



PLOT DATE = 6/14/2005
 FILE NAME = \\s01\proj\62884\62884.dwg
 PLOT SCALE = 50.0000' / IN.
 REFERENCE = #REF#

: 07:32:53 06/14/2005

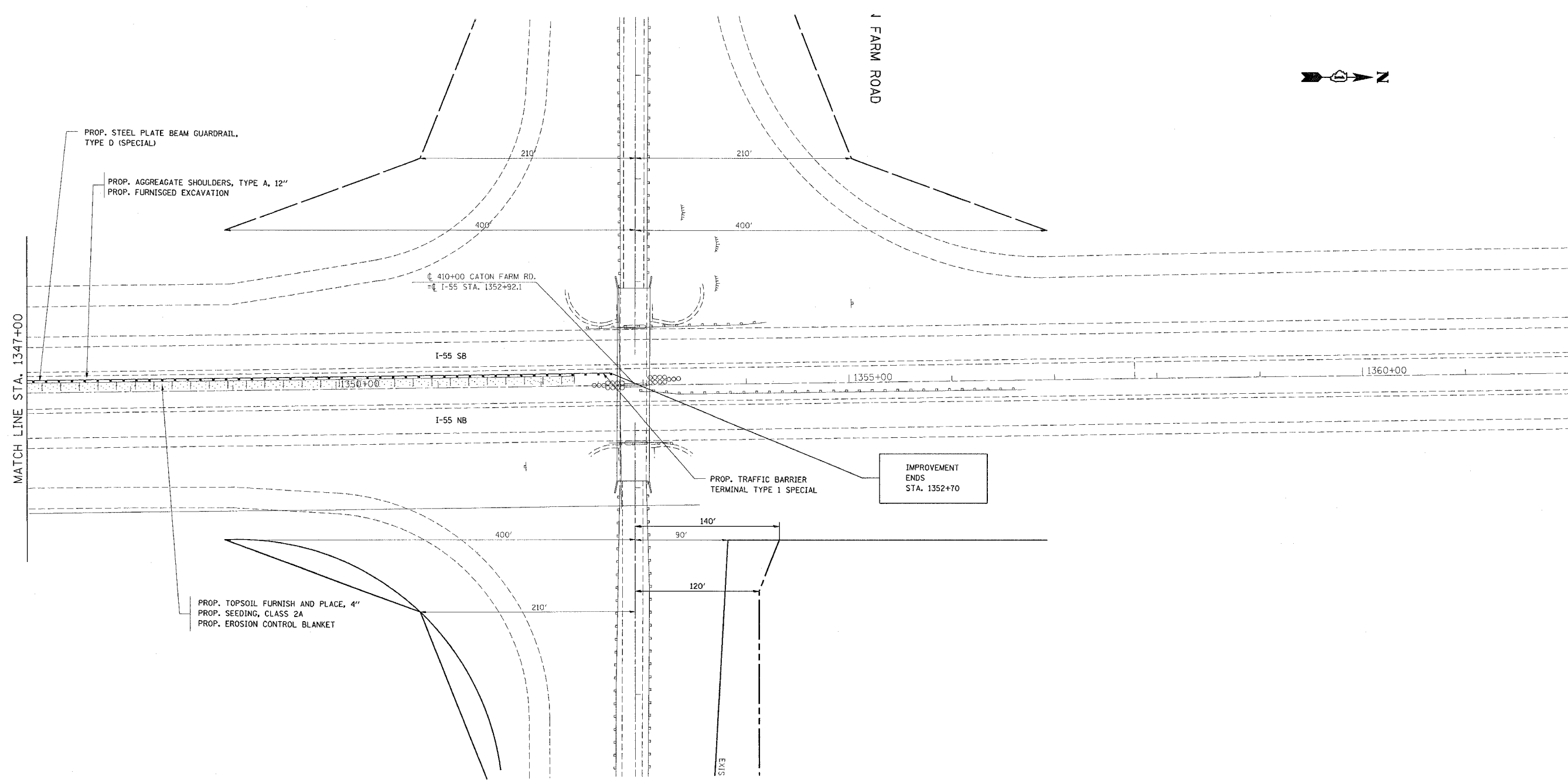
REVISIONS	
NAME	DATE

ILLINOIS DEPARTMENT OF TRANSPORTATION

 FAI 55/ I-55
 CATON FARM ROAD TO N/O BLACK ROAD
 EXISTING / PROPOSED ROADWAY PLAN

 SCALE: VERT. DRAWN BY: HMO
 HORIZ. CHECKED BY
 DATE

F.A. RTE.	SECTION	COUNTY	TOTAL SHEETS	SHEET NO.
55	2004-I18 ORR	WILL	14	9
STA. 1347+00 TO STA. 1352+19		FED. ROAD DIST. NO. ILLINOIS FED. AID PROJECT		
D-91-074-05				



MATCH LINE STA. 1347+00

1 FARM ROAD



PROP. STEEL PLATE BEAM GUARDRAIL, TYPE D (SPECIAL)

PROP. AGGREGATE SHOULDERS, TYPE A, 12"
PROP. FURNISHED EXCAVATION

410+00 CATON FARM RD.
I-55 STA. 1352+92.1

I-55 SB

I-55 NB

PROP. TRAFFIC BARRIER TERMINAL TYPE 1 SPECIAL

IMPROVEMENT ENDS STA. 1352+70

PROP. TOPSOIL FURNISH AND PLACE, 4"
PROP. SEEDING, CLASS 2A
PROP. EROSION CONTROL BLANKET

EXIS

REVISIONS	
NAME	DATE

ILLINOIS DEPARTMENT OF TRANSPORTATION

FAI 55/ I-55
CATON FARM ROAD TO N/O BLACK ROAD
EXISTING / PROPOSED ROADWAY PLAN

SCALE: VERT. _____
HORIZ. _____

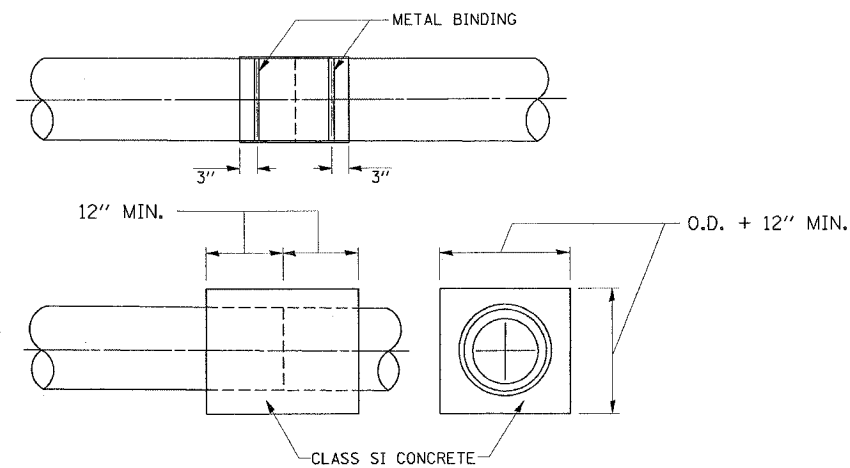
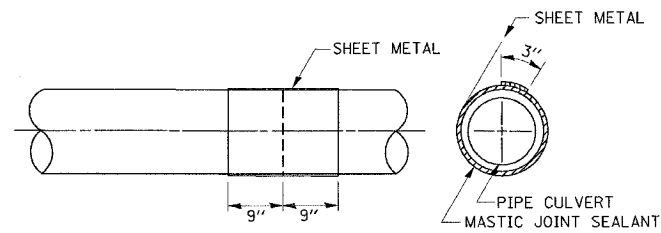
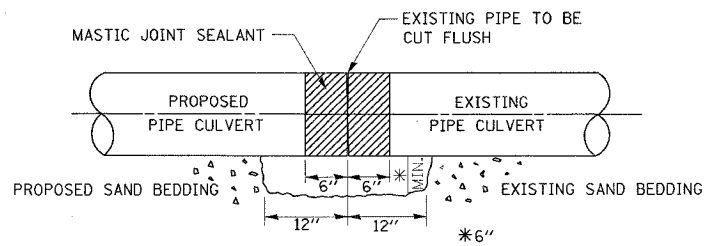
DATE _____

DRAWN BY: HMO
CHECKED BY: _____

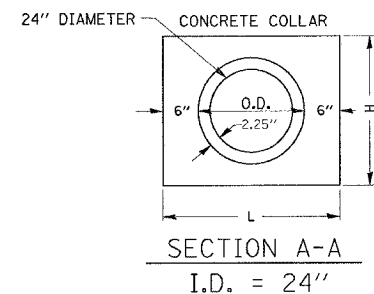
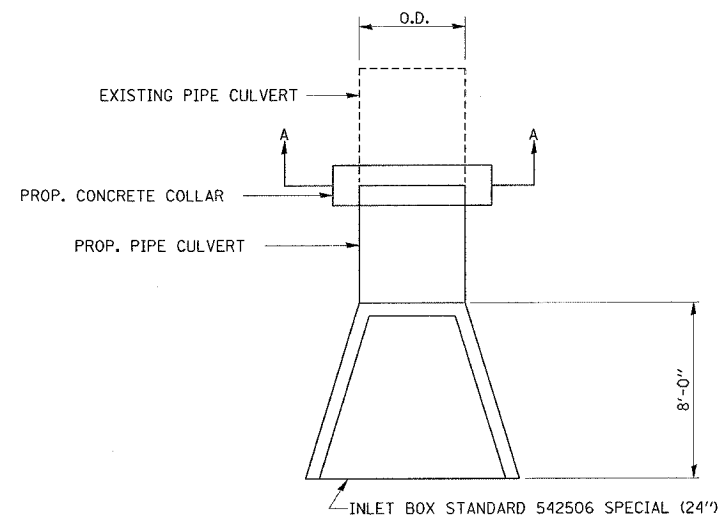
PLOT DATE = 6/14/2005
 FILE NAME = c:\p\projects\1187485\h\h.dwg
 PLOT SCALE = 50.0000 / IN.
 REFERENCE = REF#

F. A. L. RITE.	SECTION	COUNTY	TOTAL SHEETS	SHEET NO.
55	2003-118 GRR	WILL	14	10
STA.		TO STA.		
FED. ROAD DIST. NO. 1		ILLINOIS FED. AID PROJECT		

CONTRACT 62884



CLASS SI CONCRETE COLLAR



STATION	PIPE DIA. (in.)	L (FT.)	H (in.)	VOL. (CU. YD.)	NO. OF COLLARS (EACH)
**	24	3.375	40.50	.30	4

NOTES

** PIPE UNDERDRAIN/PIPE CULVERT TO BE FIELD LOCATED BY THE CONTRACTOR AND AS DIRECTED BY THE ENGINEER

GENERAL

- CARE MUST BE TAKEN TO PREVENT DEBRIS FROM ENTERING THE PIPE CULVERT. ALL DEBRIS WHICH ENTERS THE PIPE CULVERT MUST BE REMOVED. THE PIPE CULVERT MUST BE LEFT CLEAN AND UNOBSTRUCTED UPON COMPLETION OF THE CONTRACT.
- CARE MUST BE TAKEN TO PREVENT ANY PART OF THE NEW PIPE CONNECTION FROM PROJECTING INTO THE EXISTING SEWER.

BASIS OF PAYMENT

THE WORK FOR CONNECTING A PROPOSED PIPE CULVERT TO AN EXISTING PIPE CULVERT AS SHOWN IN THIS DETAIL SHALL BE PAID FOR AT THE CONTRACT UNIT PRICE PER EACH AS CONCRETE COLLAR WHICH PRICE SHALL INCLUDE ALL EQUIPMENT, LABOR, AND MATERIALS REQUIRED TO CONSTRUCT THE PROPOSED CONCRETE COLLAR.

CONSTRUCTION SEQUENCE:

- CUT THE EXISTING END OF THE PIPE SO AS TO PRESENT A FLUSH BUTT JOINT. BRUSH AND CLEAN ALL PIPES.
- APPLY THE MASTIC JOINT SEALANT TO THE FIRST 6" OF EACH PIPE.
- BUTT THE PIPES TOGETHER LEAVING A MINIMUM OF 12" x 6" DEEP EXCAVATION UNDER AND AROUND EACH PIPE END.
- CUT A PIECE OF SHEET METAL GAGE NO. 0.0418 18" WIDE BY THE OUTSIDE CIRCUMFERENCE OF THE PIPE PLUS 3" LONG.
- WRAP THE SHEET METAL AROUND THE PIPES, 9" ON EACH SIDE OF THE JOINT, STARTING AT THE TOP OF THE PIPE.
- LAP THE SHEET METAL AT LEAST 3" AT THE TOP OF THE PIPE AND PLACE THE MASTIC JOINT SEALANT BETWEEN THE LAP.
- PLACE TWO METAL BANDS AROUND THE SHEET METAL AND TIGHTEN.
- WIPE OFF ANY EXCESS MASTIC JOINT SEALANT THAT OZES OUT FROM BETWEEN THE SHEET METAL AND THE PIPES.
- PLACE CLASS SI CONCRETE AROUND THE JOINT.

NAME	DATE

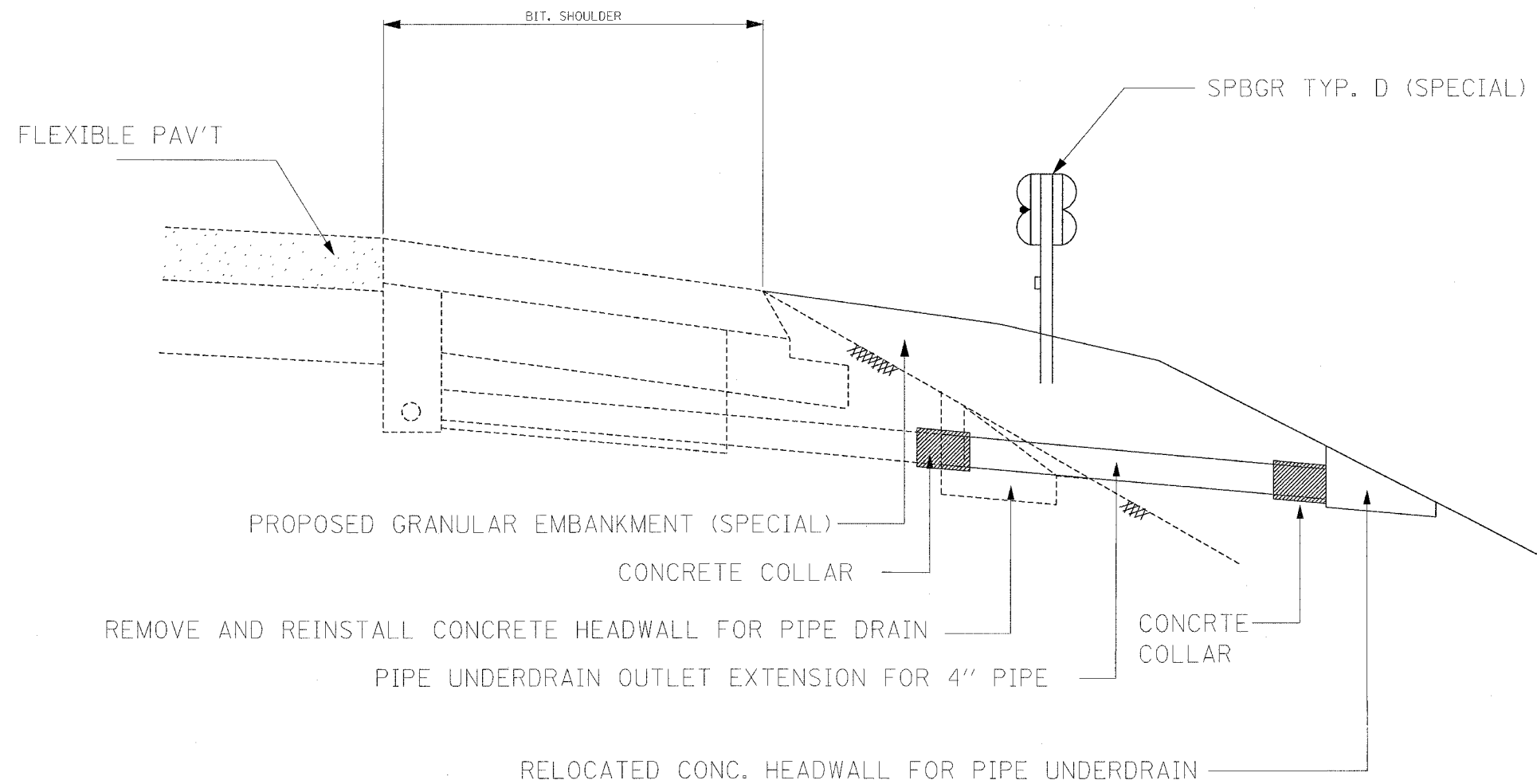
ILLINOIS DEPARTMENT OF TRANSPORTATION

CONCRETE COLLAR AND INLET BOX DETAILS

SCALE: NONE
DATE 6/14/2005

DRAWN BY HMO
CHECKED BY

P. A. & RTE.	SECTION	COUNTY	TOTAL SHEETS	SHEET NO.
55	2003-118 GRR	WILL	14	11
STA.		TO STA.		
FED. ROAD DIST. NO. 1	ILLINOIS	FED. AID PROJECT		
CONTRACT 62884				



NOTES:

PIPE UNDERDRAIN TO BE FIELD LOCATED BY THE CONTRACTOR AND AS DIRECTED BY THE ENGINEER

REVISIONS	
NAME	DATE

ILLINOIS DEPARTMENT OF TRANSPORTATION

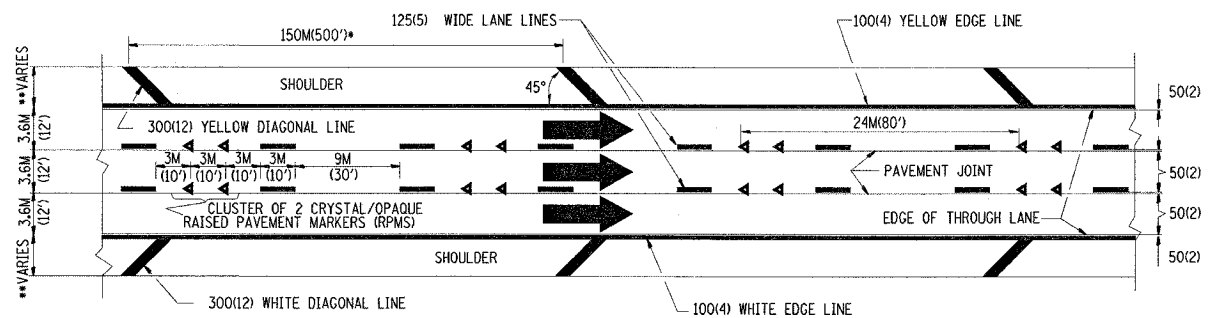
**PIPE UNDERDRAIN OUTLET
EXTENSION DETAILS**

SCALE: NONE
DATE 6/14/2005

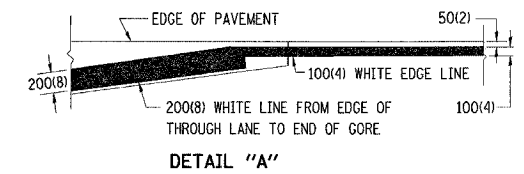
DRAWN BY: HMO
CHECKED BY:

F.A. R/L	SECTION	COUNTY	TOTAL SHEETS	SHEET NO.
55	2004-118 GRR	WILL	14	12
STA. TO STA.		FED. AID PROJECT		
FED. ROAD DIST. NO. 1		CONTRACT # 62884		

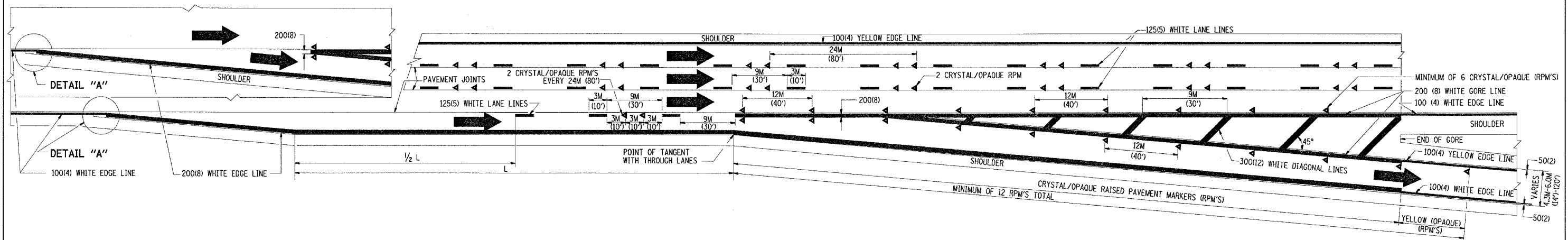
- THE DIAGONAL LINES SHALL BE SPACED AT 12M (40') C-C ACROSS ALL STRUCTURES WHICH ARE 150M (500') OR LESS IN LENGTH
- THE DIAGONAL LINES ARE NOT REQUIRED ON SHOULDERS WHICH ARE 1.8M (6') OR LESS IN WIDTH



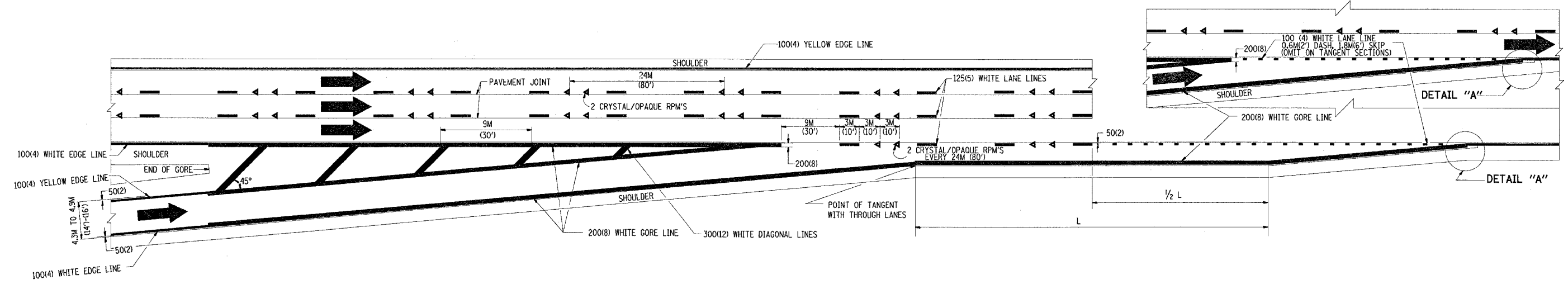
- NOTES:
- THERMO PLASTIC PAVEMENT MARKING LINE SHALL BE USED FOR THE EDGE LINES, GORE LINES, AND DIAGONAL LINES ON BITUMINOUS PAVEMENT ONLY.
 - PREFORMED PLASTIC PAVEMENT MARKING LINE SHALL BE USED FOR ALL LANE LINES
 - PREFORMED PLASTIC PAVEMENT MARKING LINE SHALL BE USED ON PCC PAVEMENT.



TYPICAL EDGE LINES & LANE LINES



TYPICAL EXIT RAMP PAVEMENT MARKINGS



TYPICAL ENTRANCE RAMP PAVEMENT MARKINGS

REVISIONS	
NAME	DATE
DWS	1/90
DWS	5/91
AH	3/96
DWS	7/96

ILLINOIS DEPARTMENT OF TRANSPORTATION

MULTI-LANE FREEWAY PAVEMENT MARKING DETAILS

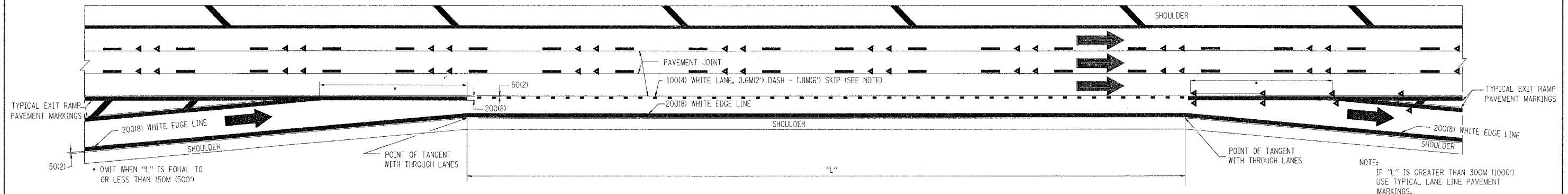
SCALE: NONE
DATE: 6/14/2005

DRAWN BY C.A.D.D.
CHECKED BY
TC12 SHEET 1 OF 2
REVISION DATE: 01/01/96

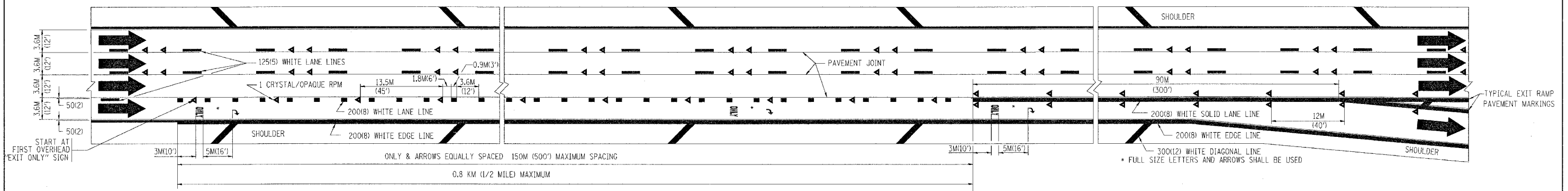
6/14/2005
wcd\staf\vt12.dgn
VHTC12
osman\am

62884

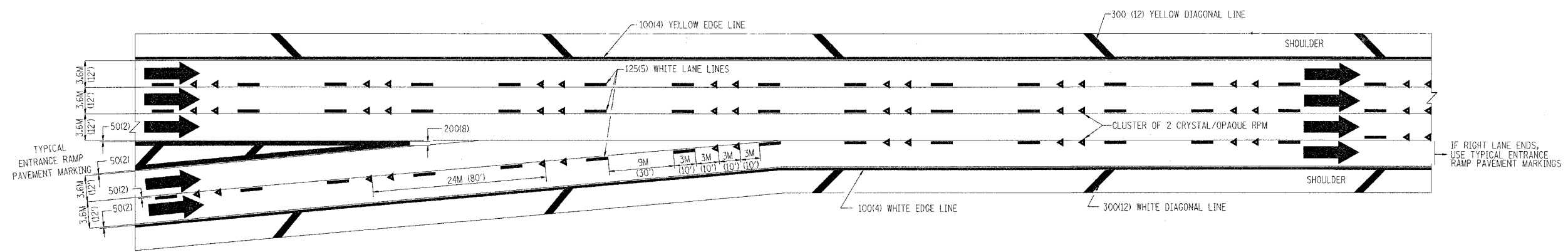
F. & S. NO.	SECTION	COUNTY	TOTAL SHEETS	SHEET NO.
55	2004-118 GRR	WILL	14	13
STA.	TO STA.			
FED. AID DIST. NO. 1	ILLINOIS	FED. AID PROJECT		



TYPICAL ENTRANCE/EXIT RAMP COMBINATION PAVEMENT MARKINGS



TYPICAL EXIT ONLY LANE PAVEMENT MARKINGS



TYPICAL TWO LANE ENTRANCE RAMP PAVEMENT MARKINGS

REVISIONS	
NAME	DATE
DWS	1/90
DWS	5/91

ILLINOIS DEPARTMENT OF TRANSPORTATION

**MULTI-LANE FREEWAY
PAVEMENT MARKING
DETAILS**

SCALE: NONE
DATE: 6/14/2005

DRAWN BY C.A.D.D.
CHECKED BY
TC12 SHEET 2 OF 2
REVISION DATE: 01/01/96

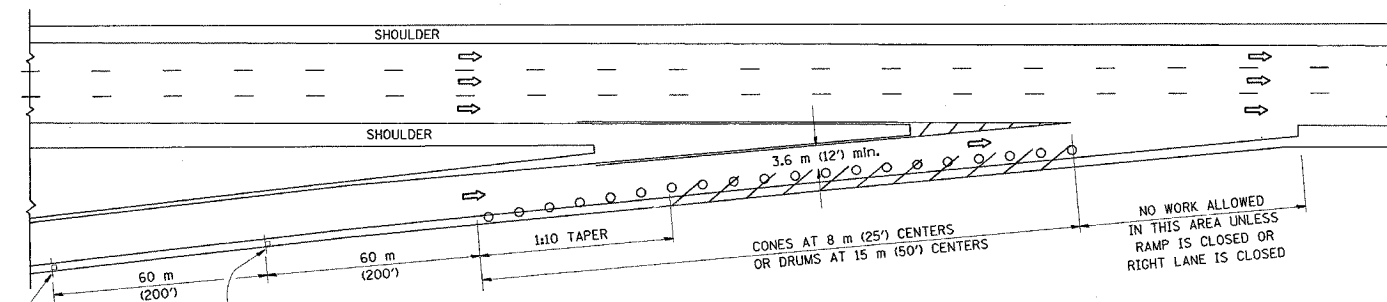
CONTRACT NO. 2004-118

6/14/2005
w:\d\st\st\402.dgn
VH-TC12
osmanfm

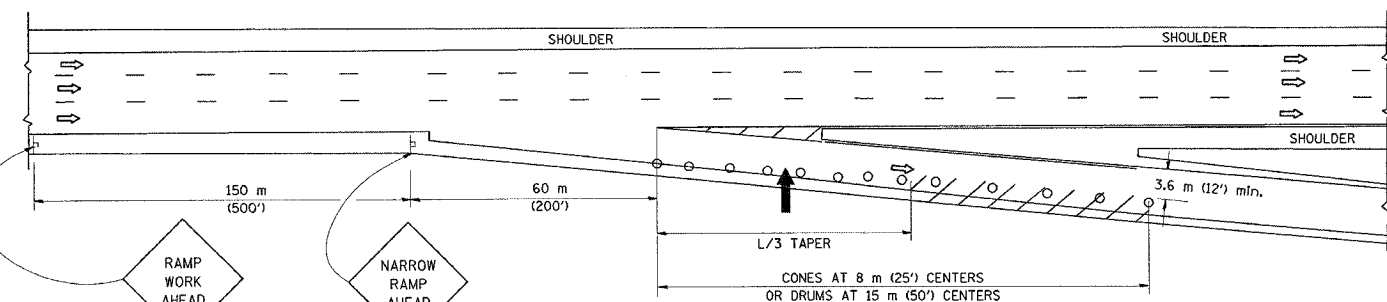
PARTIAL RAMP CLOSURE DETAILS

SHOULDER CLOSURE DETAILS

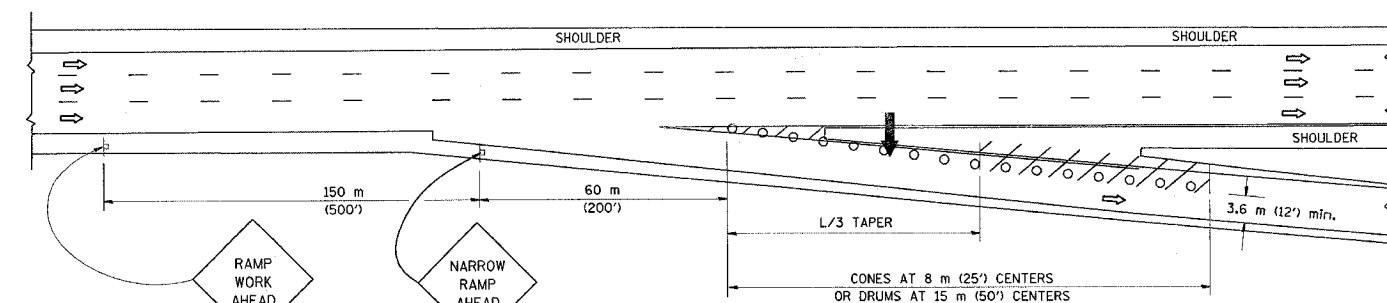
F.A. RTE.	SECTION	COUNTY	TOTAL SHEETS	SHEET NO.
55	2004-118 GRR	WILL.	14	14
STA.	TO STA.			
FED. ROAD DIST. NO.	ILLINOIS	FED. AID PROJECT		



TYPICAL ENTRANCE RAMP



TYPICAL EXIT RAMP



TYPICAL EXIT RAMP

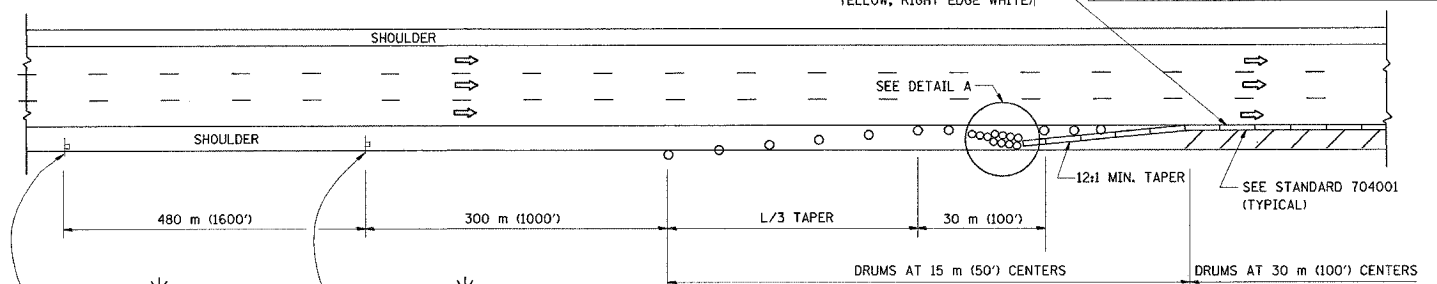
SYMBOLS

- ARROWBOARD
- WORK AREA
- SIGN ON PORTABLE OR PERMANENT SUPPORT
- FLAGGER WITH CONTROL SIGN
- DRUM WITH MONO-DIRECTIONAL STEADY BURNING LIGHT
- CONES - 700 (28) IN HEIGHT

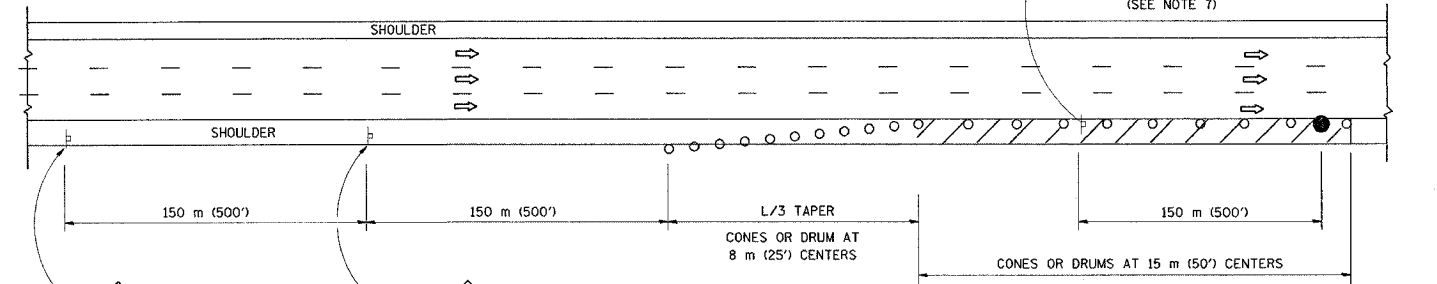
GENERAL NOTES

- THE "L" DISTANCE EQUALS:

SPEED LIMIT	FORMULAS
80 km/h (45 mph) OR GREATER:	METRIC ENGLISH L=0.65(W)(S) L=(W)(S)
W = WIDTH OF OFFSET IN METERS (FEET)	
S = NORMAL POSTED SPEED KM/H (MPH)	
- PLASTIC DRUMS WITH HIGH PERFORMANCE REFLECTIVE SHEETING AND STEADY BURNING LIGHTS ARE REQUIRED FOR ALL NIGHTTIME CLOSURES.
- ALL SIGNS SHALL BE POST MOUNTED IF THE CLOSURE TIME EXCEEDS FOUR DAYS.
- FLASHING LIGHTS SHALL BE USED DURING THE HOURS OF DARKNESS AND SHALL BE INSTALLED ABOVE THE FIRST TWO SETS OF SIGNS.



PERMANENT SHOULDER CLOSURE



DAYTIME SHOULDER CLOSURE

REFLECTIVE 150 (6) EDGE LINE ON LOWER SLOPE OF WALL (LEFT EDGE YELLOW, RIGHT EDGE WHITE)

OR WHEN SPECIFIED INSTALL TEMPORARY CONCRETE BARRIER WALL WITH BARRIER WALL REFLECTORS PER STANDARD 701402, DETAIL A.

THIS DETAIL IS USED WHERE:

- VEHICLES, EQUIPMENT, WORKERS OR THEIR ACTIVITIES ENCROACH IN AN AREA CLOSER THAN 4.5 m (15') TO THE EDGE OF PAVEMENT FOR A PERIOD IN EXCESS OF 15 MINUTES.

ARRAY DESIGN PER MANUFACTURER TO BE NCHRP 350 COMPLIANT FOR POSTED SPEED.

DETAIL "A"
IMPACT ATTENUATOR, TEMPORARY
(SEE NOTE 5)

ALL DIMENSIONS ARE IN MILLIMETERS (INCHES) UNLESS OTHERWISE SHOWN.

ILLINOIS DEPARTMENT OF TRANSPORTATION

TRAFFIC CONTROL DETAILS FOR FREEWAY SHOULDER CLOSURES PARTIAL RAMP CLOSURES

SCALE: NONE
DATE: 6/14/2005

DRAWN BY: DWS
DESIGNED BY: DWS
CHECKED BY: TC-17

REVISIONS	
NAME	DATE
DWS	11/96
JAF	12/02
NCHRP 350	04/03

REVISION DATE: 04/24/03