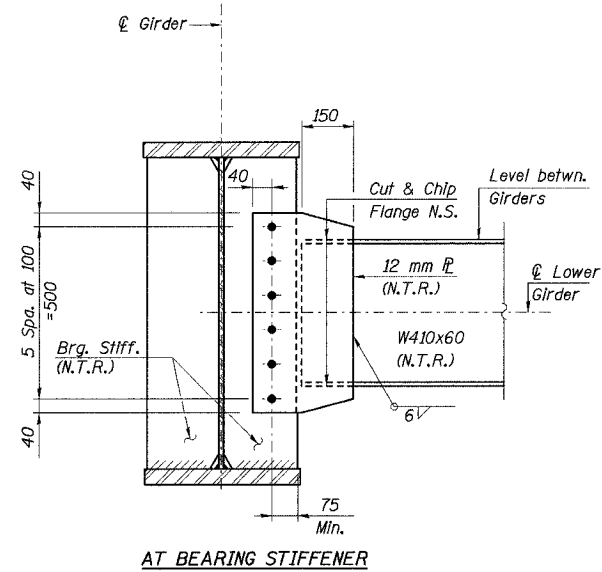
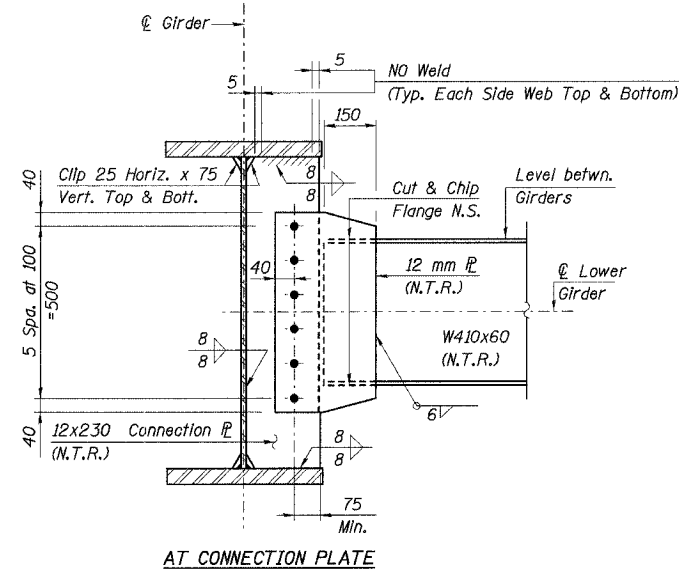


STATE OF ILLINOIS  
DEPARTMENT OF TRANSPORTATION

ROUTE NO.	SECTION	COUNTY	TOTAL SHEETS	SHEET NO.	SHEET NO. 14
F. A. I. 80/94		COOK	90	71	21 SHEETS
FED. ROAD DIST. NO. 1		ILLINOIS FED. AID PROJECT-			
2004-133F		CONTRACT NO. 62898			

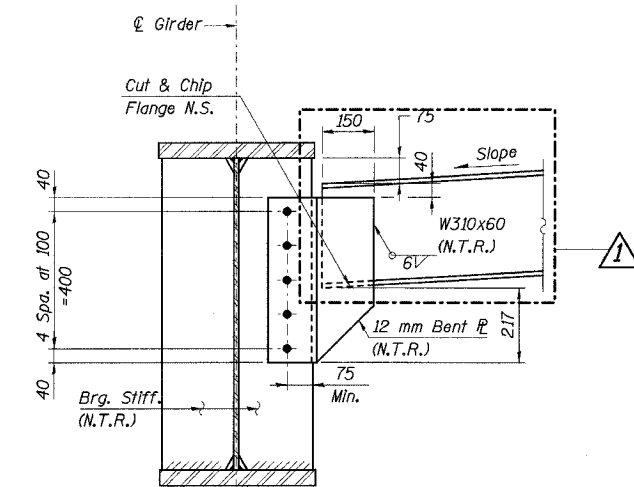


AT BEARING STIFFENER



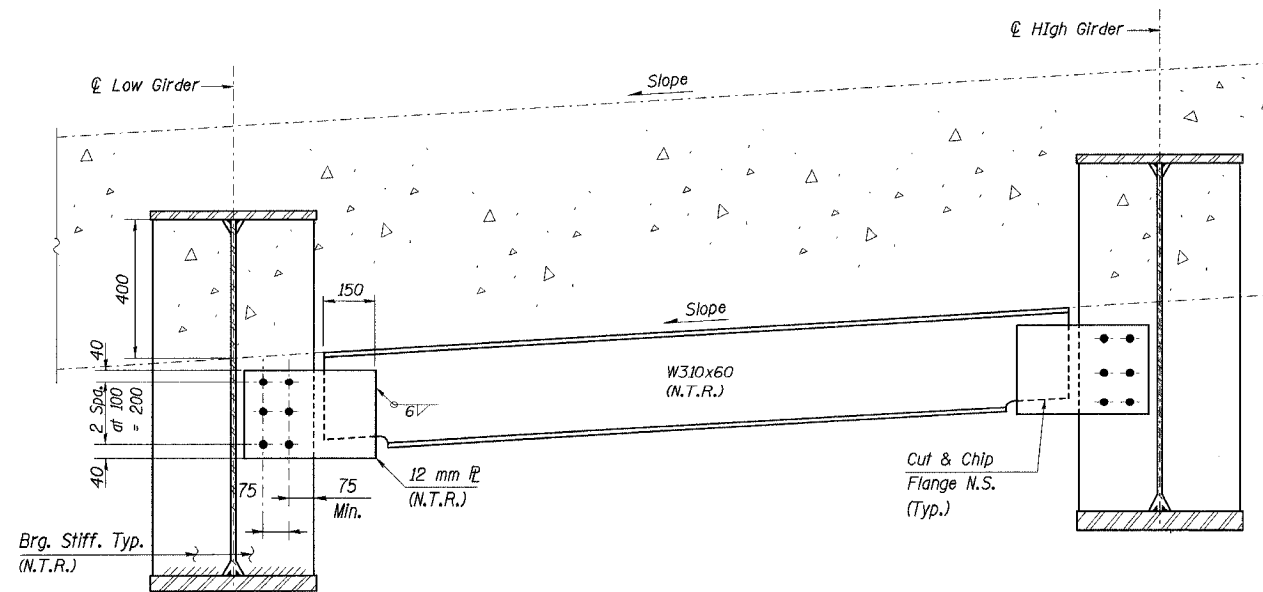
AT CONNECTION PLATE

**INTERIOR DIAPHRAGM**  
(AASHTO M270M Grade 345)



**END DIAPHRAGM - EAST ABUTMENT**

**END DIAPHRAGM (SPECIAL) - WEST ABUTMENT**  
(AASHTO M270M Grade 345)



**END DIAPHRAGM - WEST ABUTMENT**  
(AASHTO M270M Grade 345)

Notes:

- All dimensions are in millimeters (mm) except as noted.
- See Sheet No. 13 of 21 for bearing stiffener details and weld requirements.
- N.T.R. denotes plates to which notch toughness requirements are applicable.
- All diaphragm connections to have 28 mm  $\phi$  oversized holes for all M22 H.S. bolts.
- Two hardened washers shall be required over all oversized holes.

L:\kellie\34562\CAUTION\B1\SN.2807\cds\CTR.29.L2807\etl\90024+.2807.dgn  
21-JUL-2005 16:19

DESIGNED	MIL
CHECKED	JJK
DRAWN	LK
CHECKED	JJK

ILLINOIS DEPARTMENT OF TRANSPORTATION  
I-94 EAST BOUND / IL 394 SOUTH BOUND  
**DIAPHRAGM DETAILS**  
EB I-94 OVER THORN CREEK  
F.A.I. 94 SECTION 2004-133F  
COOK COUNTY  
STA. 20+509.000 STRUCTURE NO. 016-2807  
DATE 05/16/05  
SCALE ---  
**HNTB**

Revised 07/07/2005, PCA