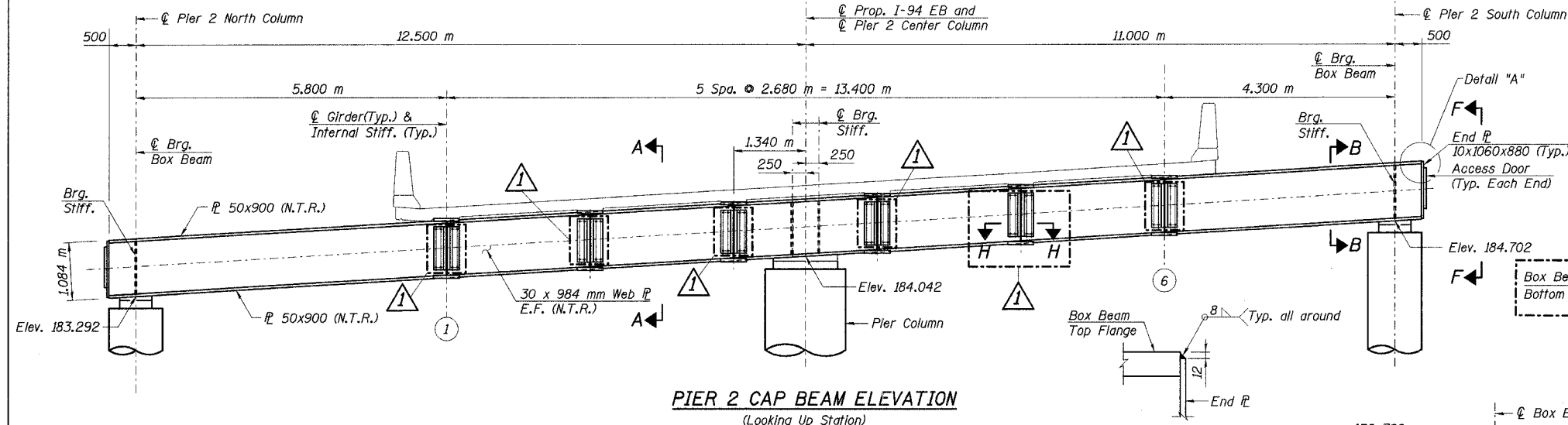
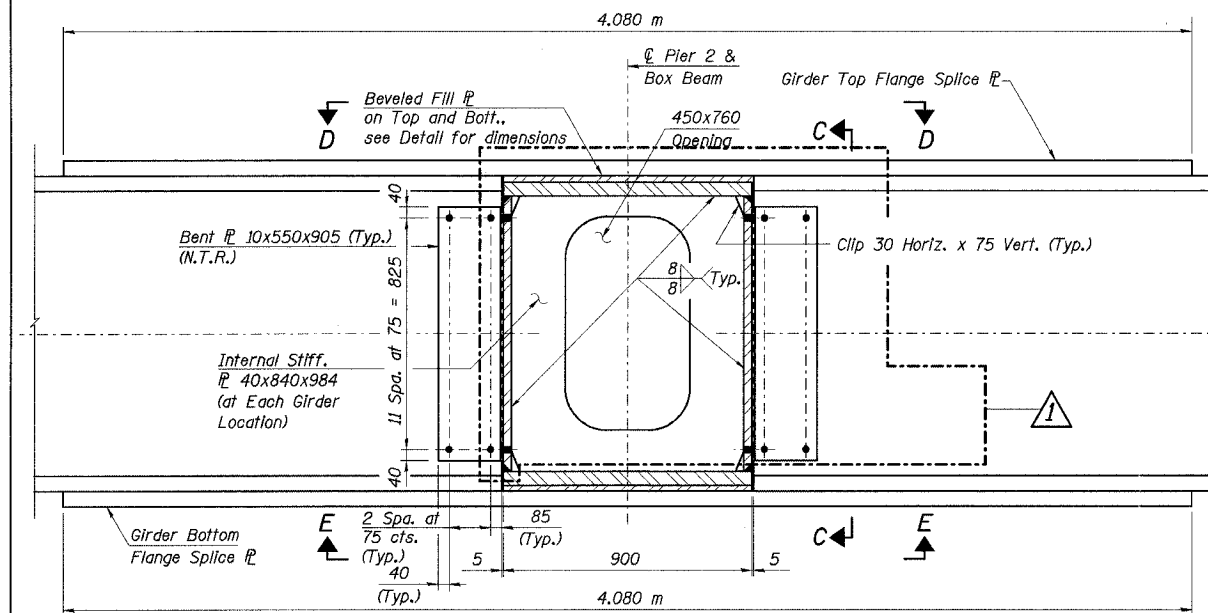


STATE OF ILLINOIS
DEPARTMENT OF TRANSPORTATION

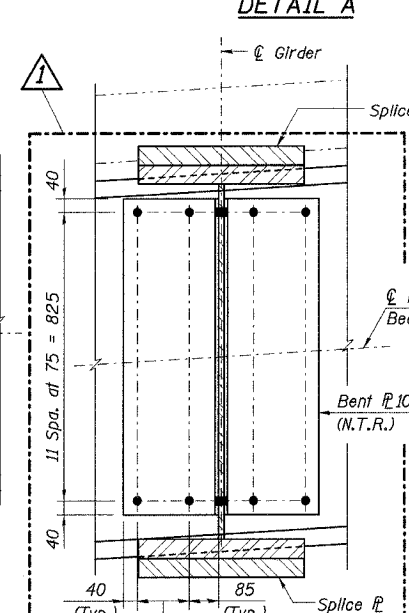
| ROUTE NO. | SECTION | COUNTY | TOTAL SHEETS | SHEET NO. | SHEET NO. |
|---|---------|--------|--------------------|-----------|-----------|
| F. A. I. 80/94 | | COOK | 90 | 73 | 21 SHEETS |
| FED. ROAD DIST. NO. 1 ILLINOIS FED. AID PROJECT | | | CONTRACT NO. 62898 | | |



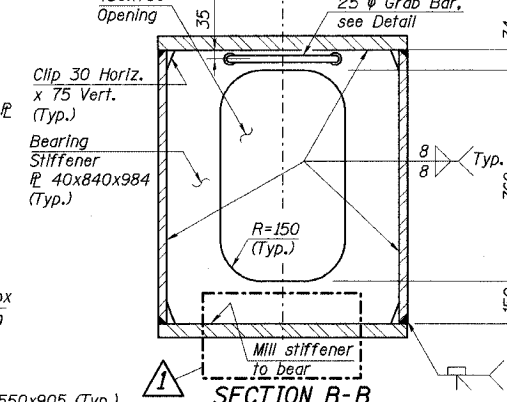
PIER 2 CAP BEAM ELEVATION
(Looking Up Station)



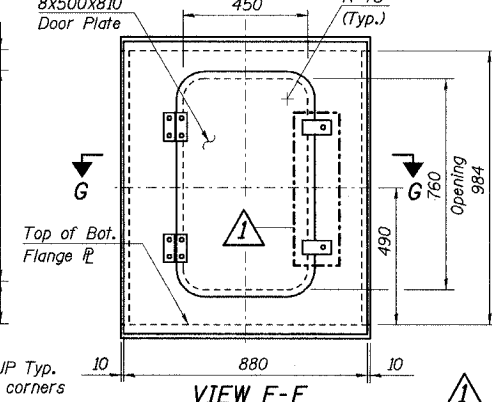
SECTION A-A



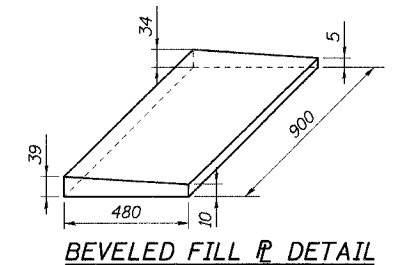
VIEW C-C



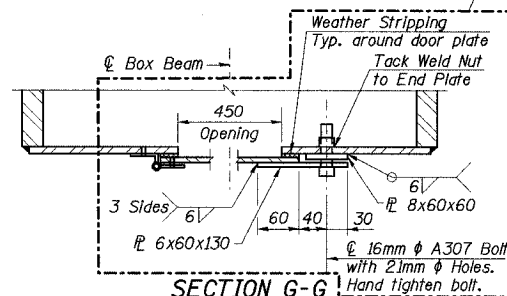
SECTION B-B
(Bearing Stiffener Detail)



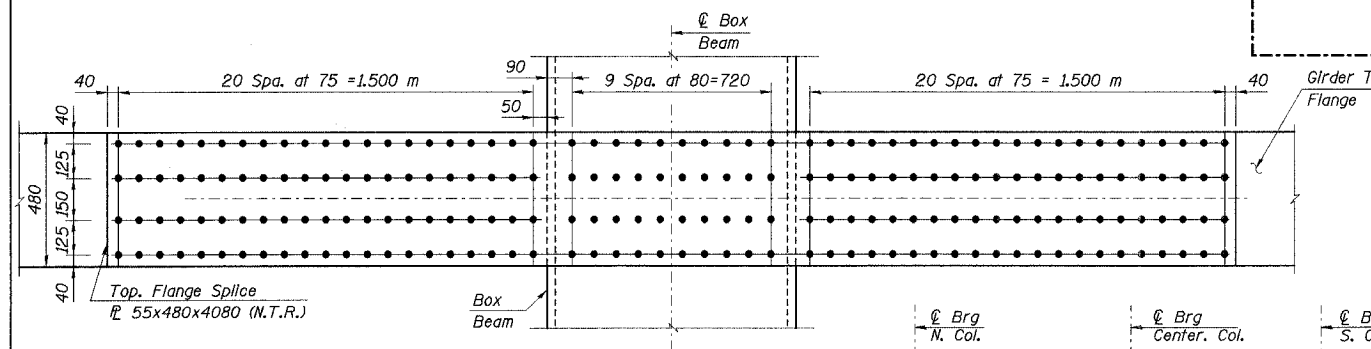
VIEW F-F



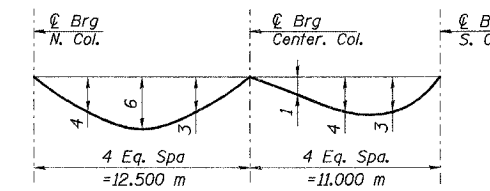
BEVELED FILL PLATE DETAIL



SECTION G-G

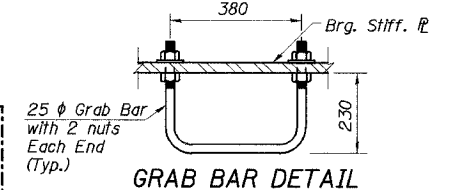


VIEW D-D & E-E
(View D-D (Top view) shown, View E-E (Bottom view) similar)



DEAD LOAD DEFLECTION
(Includes weight of slab and parapet)

- Notes:
1. N.T.R. denotes Plates to which notch toughness requirements are applicable.
 2. All dimensions are in millimeters (mm) except as noted.
 3. Preclude threads in the shear plane of H. S. Bolts.
 4. Contact Surface of splice plates must be blast-cleaned surfaces and blast-cleaned surfaces with "Class B" coatings. Coatings classified as "Class B" include those coatings which provide a mean slip coefficient not less than 0.50 as determined by test in accordance with "Test Method to Determine the Slip Coefficient for Coatings used in Bolted Joints" as adopted by Research Council on Structural Connections.
 5. All Bolts are 22 mm H.S. Bolts with 24 mm holes unless otherwise noted.
 6. All Steel components of the box girder and Splice plates are M 270M Grade 345 except the fill plates of the splices. The fill plates are M 270M Grade 250.
 7. Cost for Access Door hardware and Weather Stripping included with Furnishing Structural Steel.



GRAB BAR DETAIL

| | |
|----------|-----|
| DESIGNED | MEA |
| CHECKED | MIL |
| DRAWN | LK |
| CHECKED | MIL |

1 required at Each Door. Place Bar to face door.

ILLINOIS DEPARTMENT OF TRANSPORTATION
I-94 EAST BOUND / IL 394 SOUTH BOUND

PIER 2 CAP BEAM DETAILS
EB I-94 OVER THORN CREEK
F.A.I. 94 SECTION 2004-133F
COOK COUNTY
STA. 20+509.000 STRUCTURE NO. 016-2807
DATE 05/16/05
SCALE ---

HNTB

Revised 07/07/2005, PCA

L:\k1112
 H:\34562\CADD\BLSN_2807\CAD\CIR_29_2807\11190054_2807.dgn
 21-JUL-2005 16:20