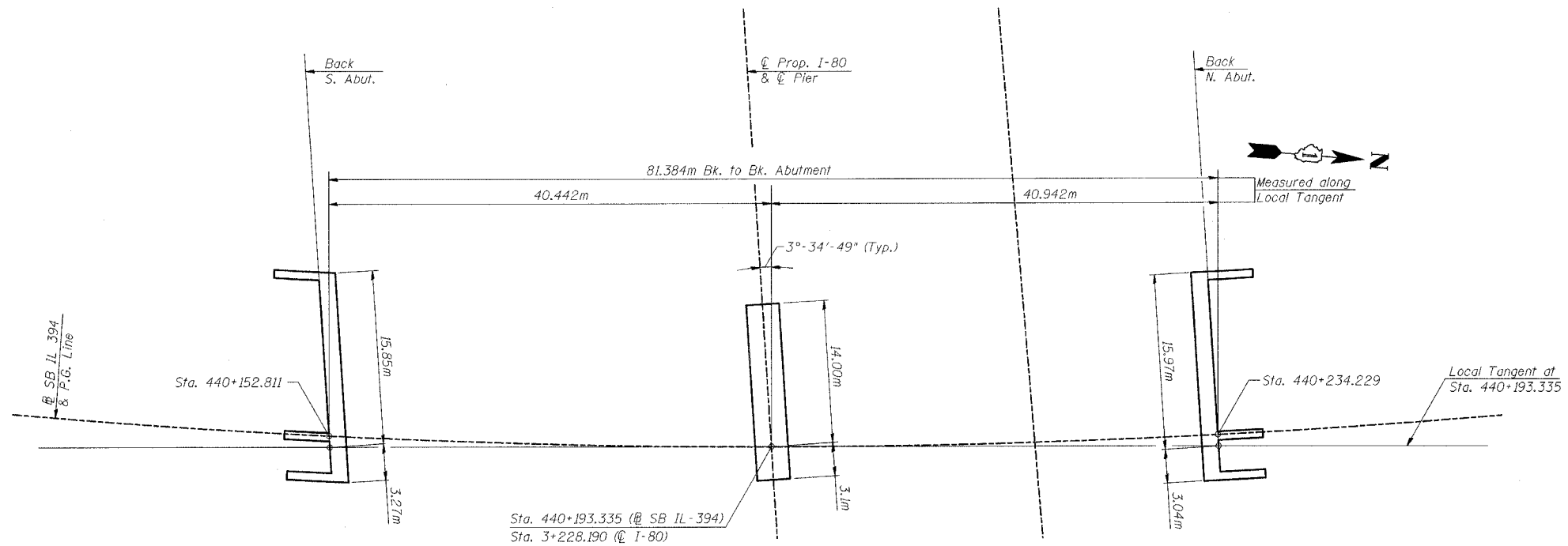
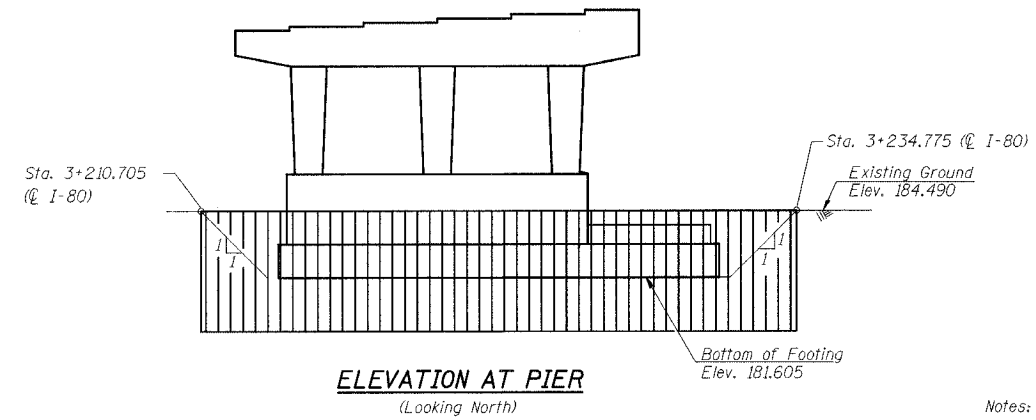


STATE OF ILLINOIS  
DEPARTMENT OF TRANSPORTATION

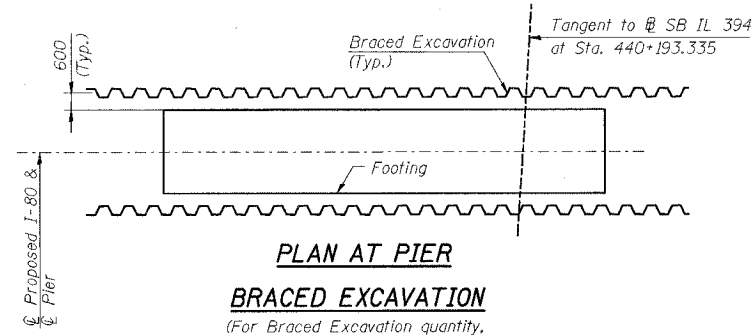
ROUTE NO.	SECTION	COUNTY	TOTAL SHEETS	SHEET NO.	SHEET NO. 4
F. A. I. 80/94	*	COOK	90	5	29 SHEETS
FED. ROAD DIST. NO. 1		ILLINOIS FED. AID PROJECT-			
*2004-133F		CONTRACT NO. 62898			



**FOOTING LAYOUT**  
**"NOT IN CONTRACT"**

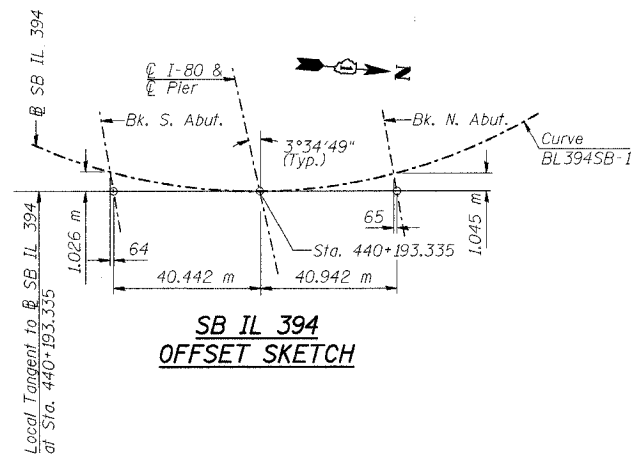


**ELEVATION AT PIER**  
(Looking North)



**PLAN AT PIER**  
**BRACED EXCAVATION**  
(For Braced Excavation quantity, see Sht. No. 26 of 29)

**"NOT IN CONTRACT"**



**SB IL 394**  
**OFFSET SKETCH**

Notes:  
1. All dimensions are in millimeters (mm) except as noted.

DESIGNED	MEA
CHECKED	PY
DRAWN	LK
CHECKED	PY

\\elito\j\34562\CADD\B\ASN-2796\CDS\CTR-29-2796\1190214a-2796.dgn  
20-MAY-2005 09:42

ILLINOIS DEPARTMENT OF TRANSPORTATION  
I-94 EAST BOUND / IL 394 SOUTH BOUND  
FOOTING LAYOUT, OFFSET SKETCH  
& BRACED EXCAVATION  
SB ILLINOIS ROUTE 394 OVER INTERSTATE 80  
F.A.P. 332 SECTION 2004-133F  
COOK COUNTY  
STA. 440+193.335 STRUCTURE NO. 016-2796  
DATE 05/16/05  
SCALE ---

**HNTB**