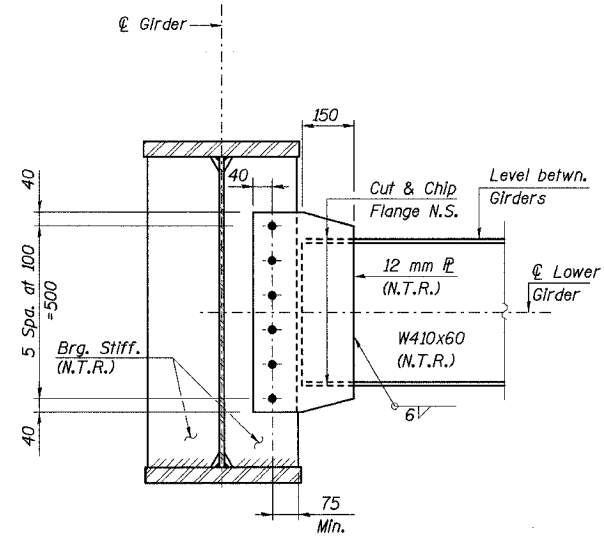
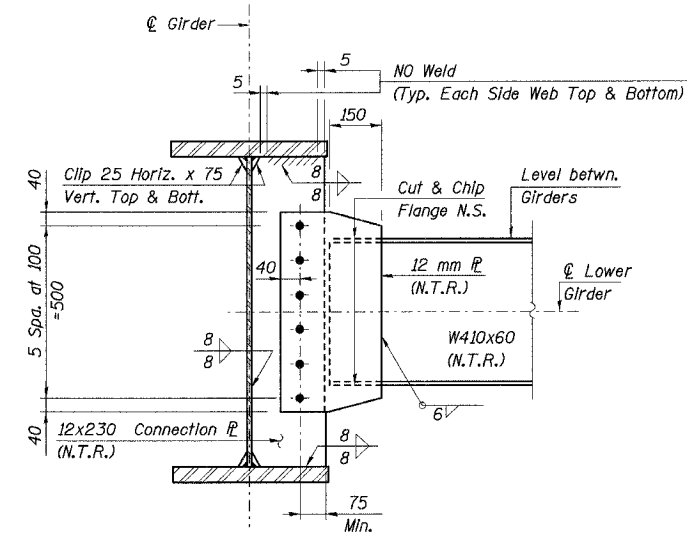


STATE OF ILLINOIS
DEPARTMENT OF TRANSPORTATION

ROUTE NO.	SECTION	COUNTY	TOTAL SHEETS	SHEET NO.	SHEET NO. 14
F. A. I. 80/94		COOK	90	71	21 SHEETS
FED. ROAD DIST. NO. 1		ILLINOIS FED. AID PROJECT-			
2004-133F		CONTRACT NO. 62898			

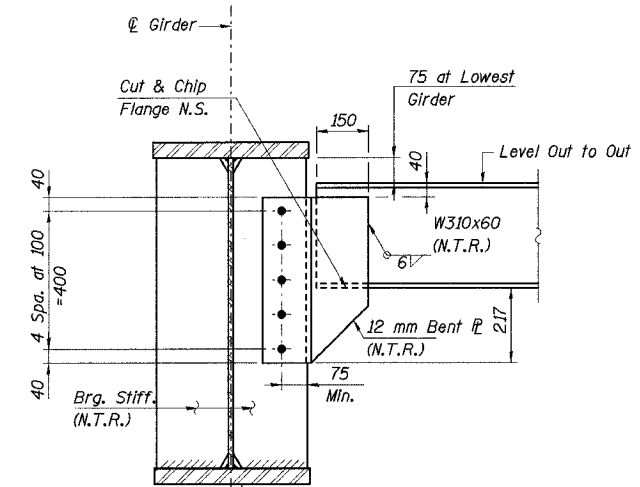


AT BEARING STIFFENER

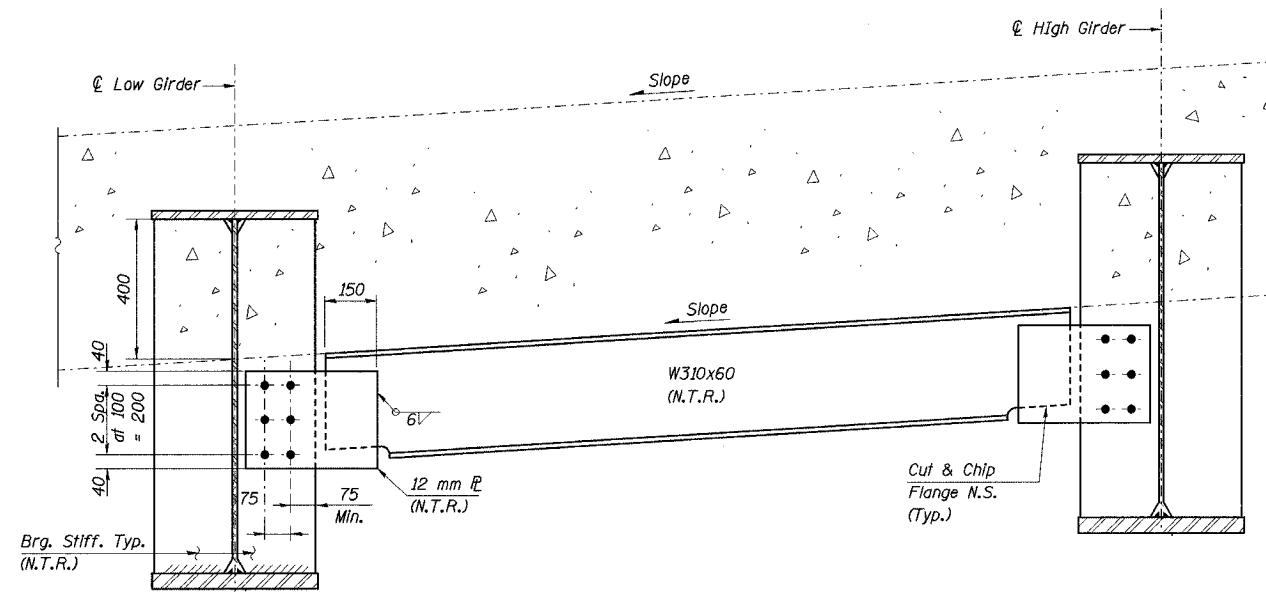


AT CONNECTION PLATE

INTERIOR DIAPHRAGM
(AASHTO M270M Grade 345)



END DIAPHRAGM - EAST ABUTMENT
(AASHTO M270M Grade 345)



END DIAPHRAGM - WEST ABUTMENT
(AASHTO M270M Grade 345)

Notes:

- All dimensions are in millimeters (mm) except as noted.
- See Sheet No. 13 of 21 for bearing stiffener details and weld requirements.
- N.T.R. denotes plates to which notch toughness requirements are applicable.
- All diaphragm connections to have 28 mm ϕ oversized holes for all M22 H.S. bolts.
- Two hardened washers shall be required over all oversized holes.

I:\e\1362\CA\DD\13\SN_2807\code\CTR_29_2807\code\CTR_29_2807.dgn
 28-11-1-2005 14:31

DESIGNED	MIL
CHECKED	JJK
DRAWN	LK
CHECKED	JJK

ILLINOIS DEPARTMENT OF TRANSPORTATION
I-94 EAST BOUND / IL 394 SOUTH BOUND
DIAPHRAGM DETAILS
EB I-94 OVER THORN CREEK
F.A.I. 94 SECTION 2004-133F
COOK COUNTY
STA. 20+509.000 STRUCTURE NO. 016-2807
DATE 05/16/05
SCALE ---
HNTB