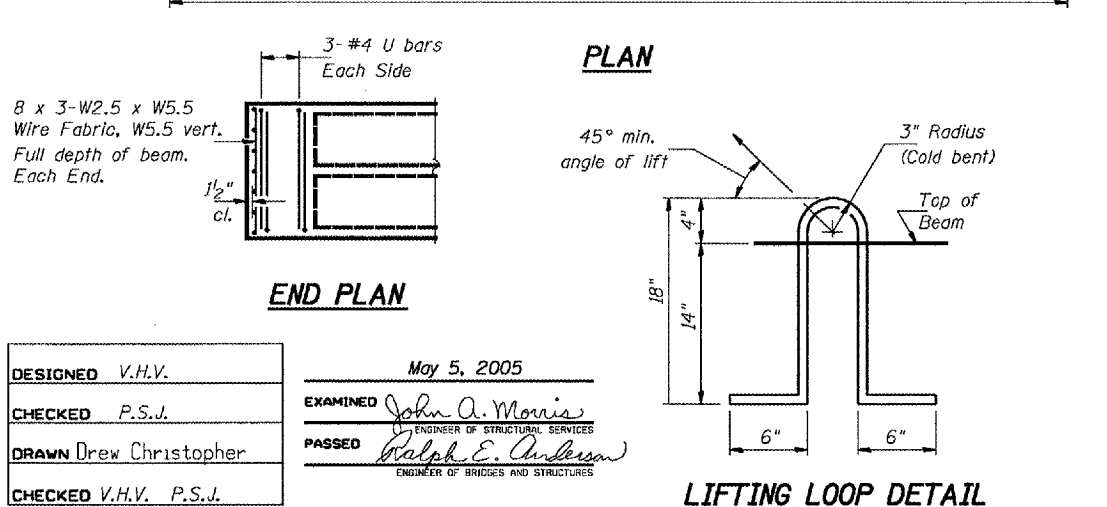
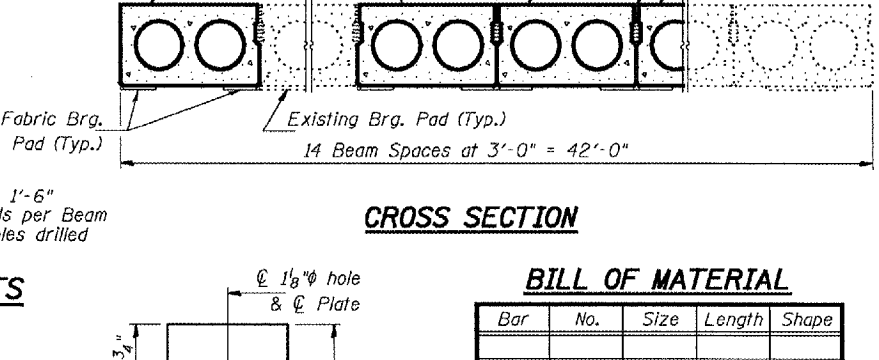
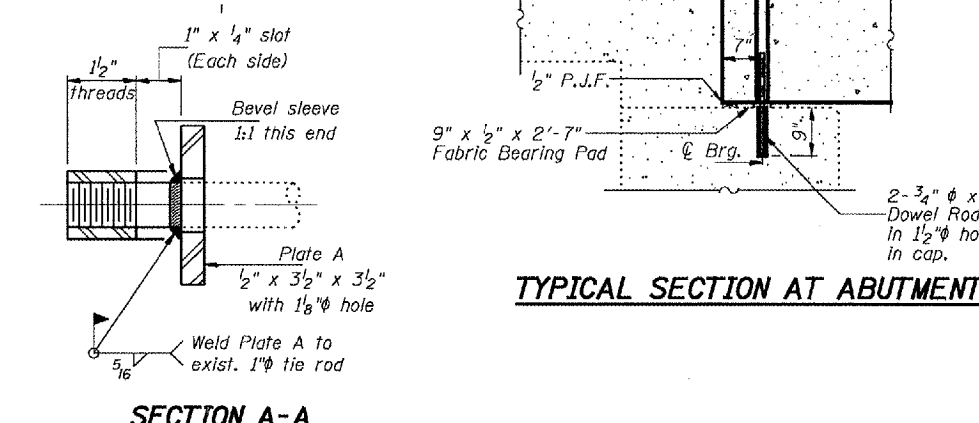
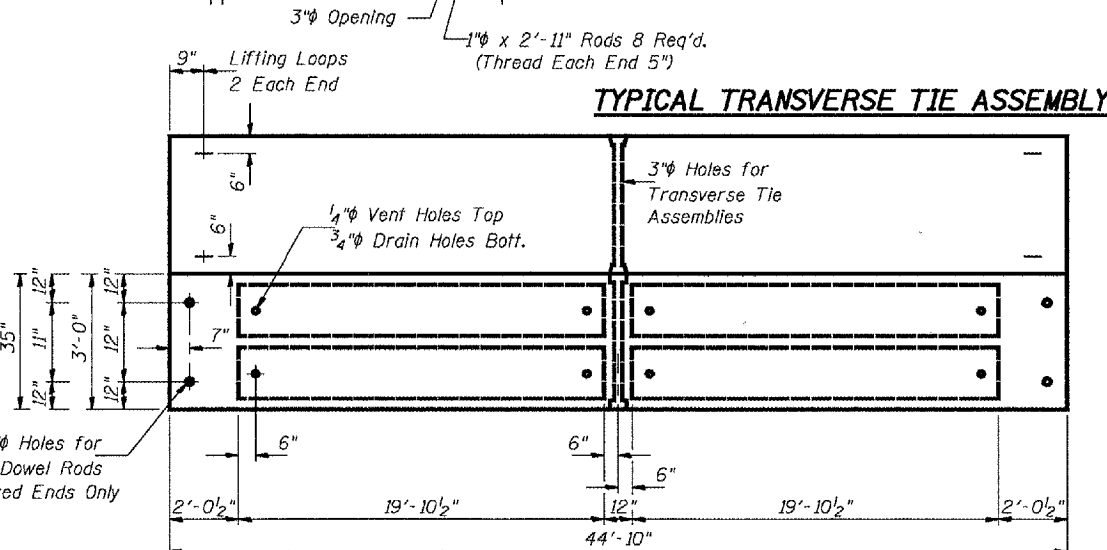
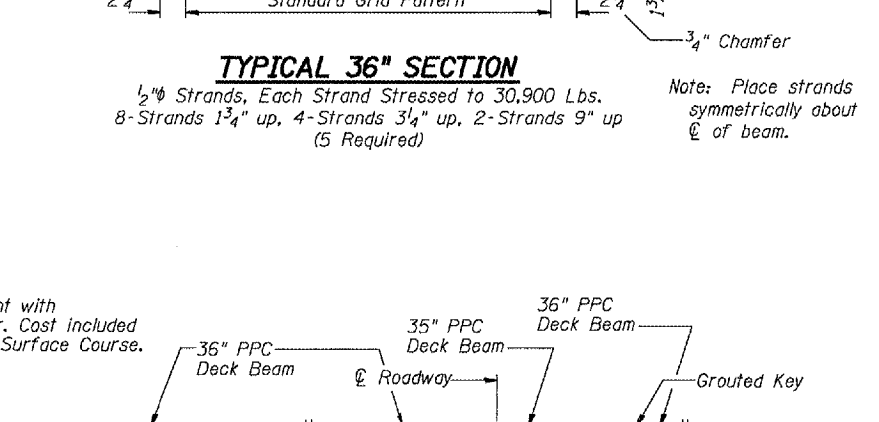
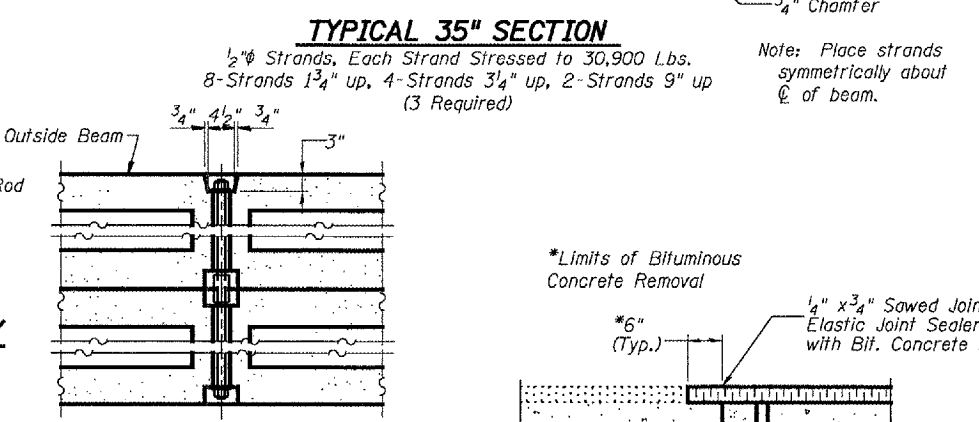
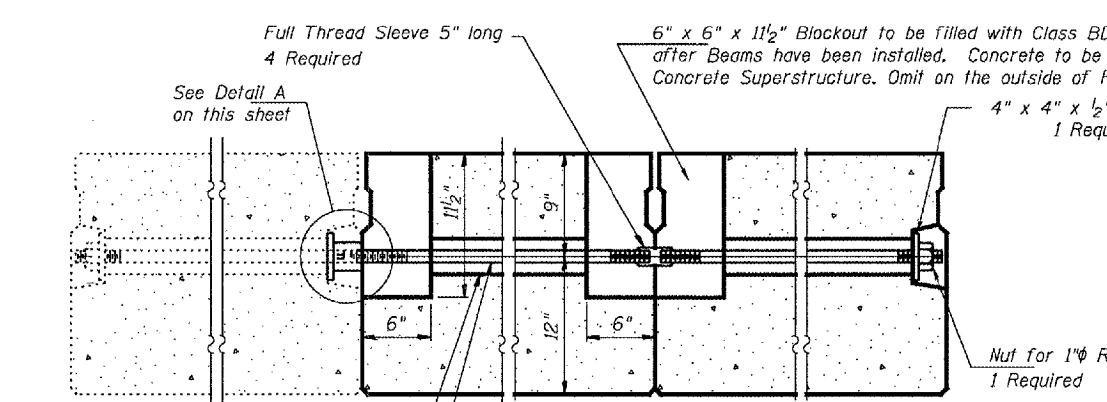
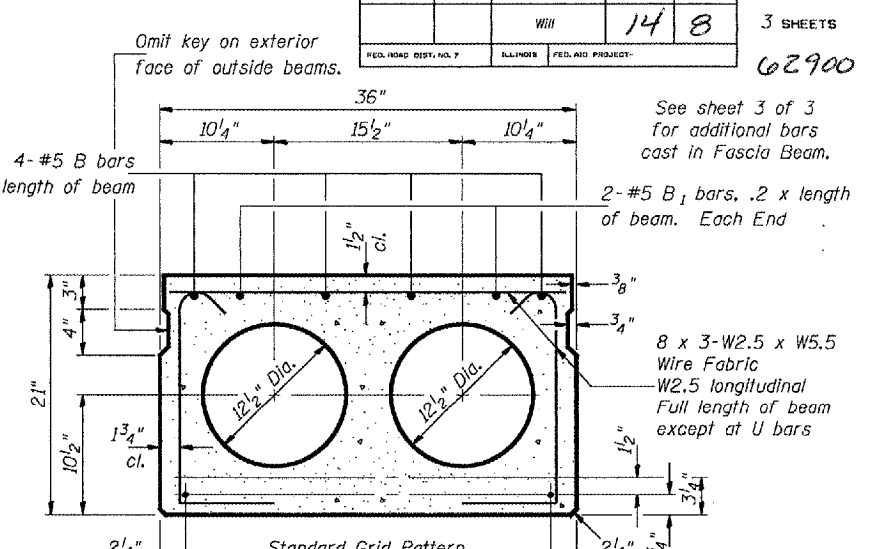
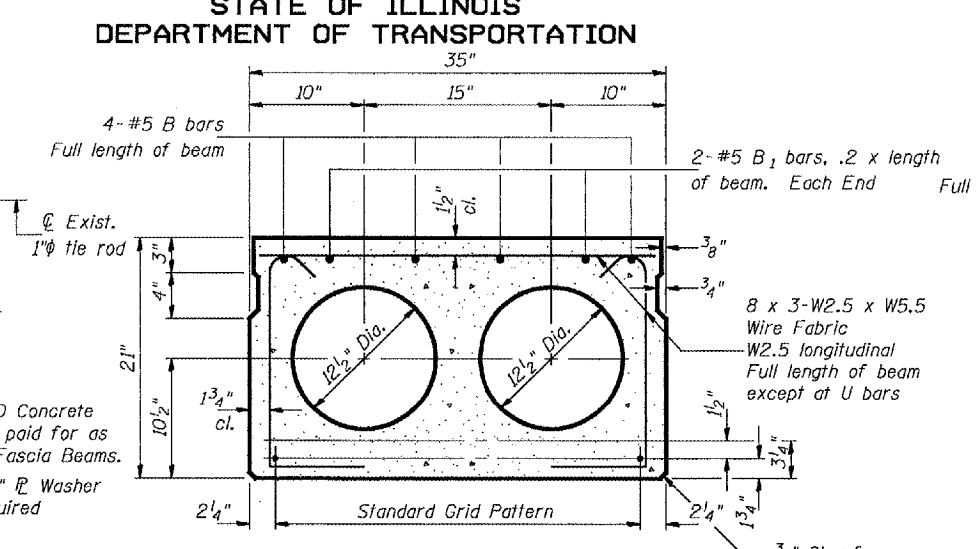
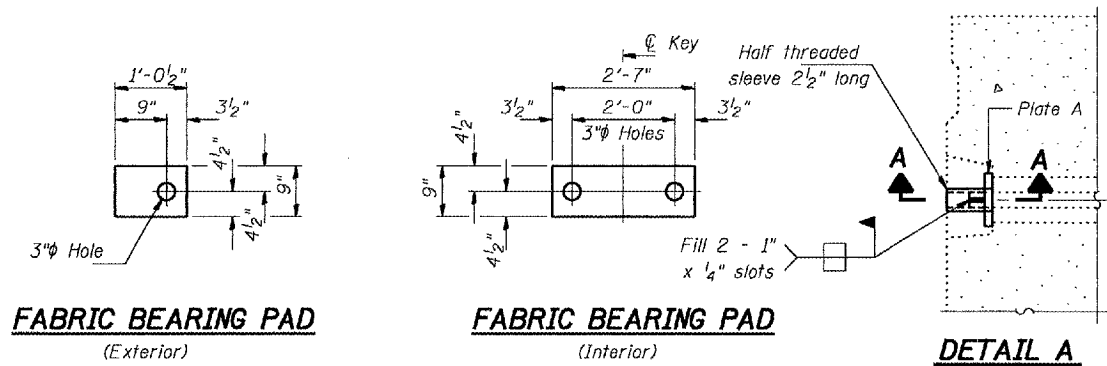


STATE OF ILLINOIS  
DEPARTMENT OF TRANSPORTATION

ROUTE NO.	SECTION	COUNTY	TOTAL SHEETS	SHEET NO.	SHEET NO. 2 3 SHEETS 62900
		Will	14	8	
FED. ROAD DIST. NO. 7	ILLINOIS	FED. AID PROJECT			



**NOTES**

Prestressing steel shall be uncoated high strength, low relaxation 7-wire strand, Grade 270. The nominal diameter shall be 1/2" and the nominal cross-sectional area shall be 0.153 sq. in. Lifting loops shall be 2 - 1/2" - 270 ksi strands, as shown.

The 1" rods in the transverse tie assembly shall be tightened to a snug fit and the threads set. Pockets that receive transverse tie bar on outside shall be filled with grout after transverse tie assembly is in place.

Reinforcement bars shall conform to the requirements of AASHTO M-31 or M322 Grade 60. The bearing seat surfaces shall be adjusted by shimming to assure firm and even bearing. Two 1/8" fabric adjusting shims of the dimensions of the exterior bearing pad shall be provided for each bearing. Keyway surfaces shall be cleaned to remove form oil or other bond breaking material prior to shipment of the beams. Cleaning shall be done by sandblasting the keyway areas between top of the beam and the bottom edge of the key.

A Corrosion Inhibitor, as covered in the Special Provisions, shall be used in the concrete for precast prestressed concrete deck beams. Required Release Strength, f'ci, shall be 4000 p.s.i.

**BILL OF MATERIAL**

Bar	No.	Size	Length	Shape
Precast Prestressed Conc. Deck Bms. (21")		Sq. Ft.	1065	

**BEAM DETAILS  
US 45 OVER NORTH  
BRANCH PRAIRIE CREEK  
WILL COUNTY  
SN.099-0118**

DESIGNED V.H.V.  
CHECKED P.S.J.  
DRAWN Drew Christopher  
CHECKED V.H.V. P.S.J.

May 5, 2005  
EXAMINED John A. Morris  
PASSED Ralph E. Anderson