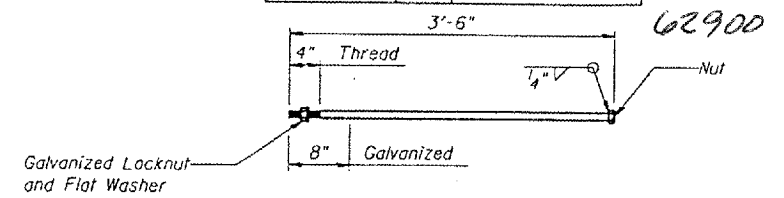
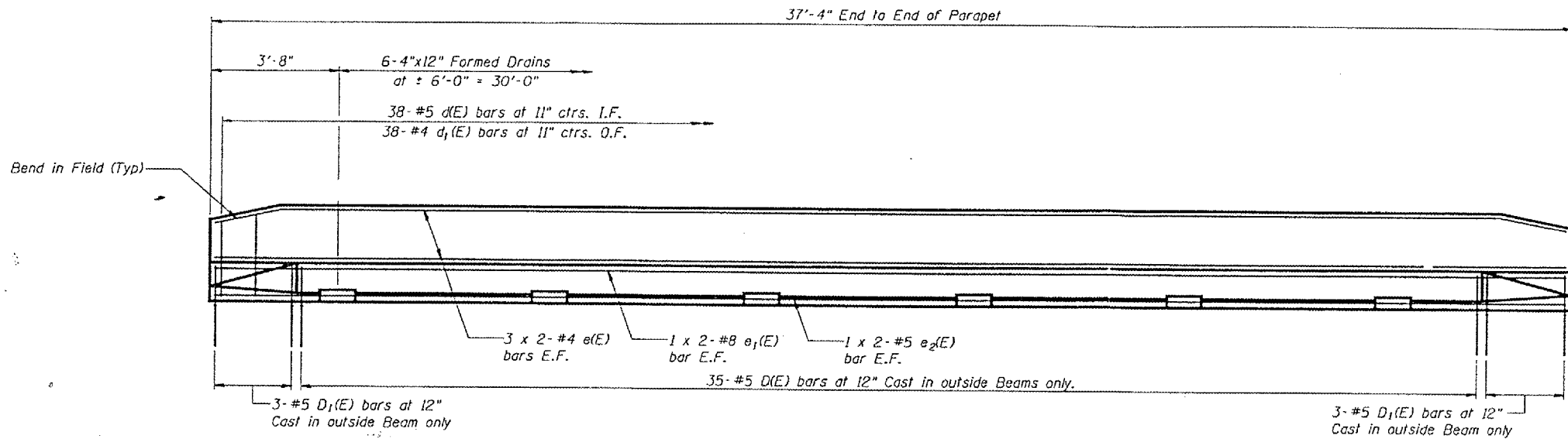


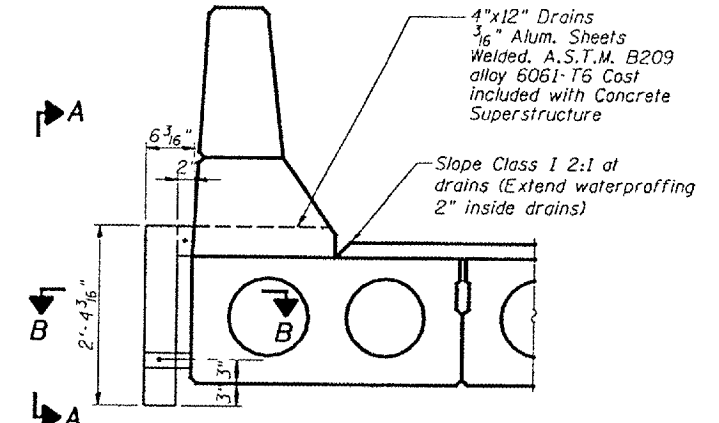
STATE OF ILLINOIS  
DEPARTMENT OF TRANSPORTATION

PROJECT NO.	SECTION	COUNTY	SHEET	POST	SHEET NO. 3
FAP 330	2004-1201	Will	14	13	3 SHEETS
FED. ROAD DIST. NO. 7	ILLINOIS	FED. AID PROJECT			

62900

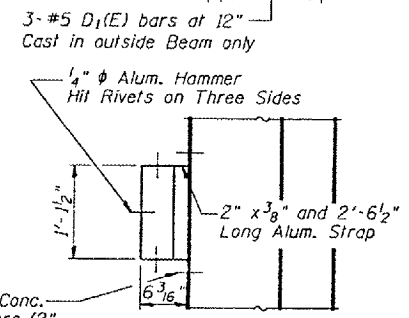


**1" ANCHOR BOLT**  
Cast included with Concrete Superstructure

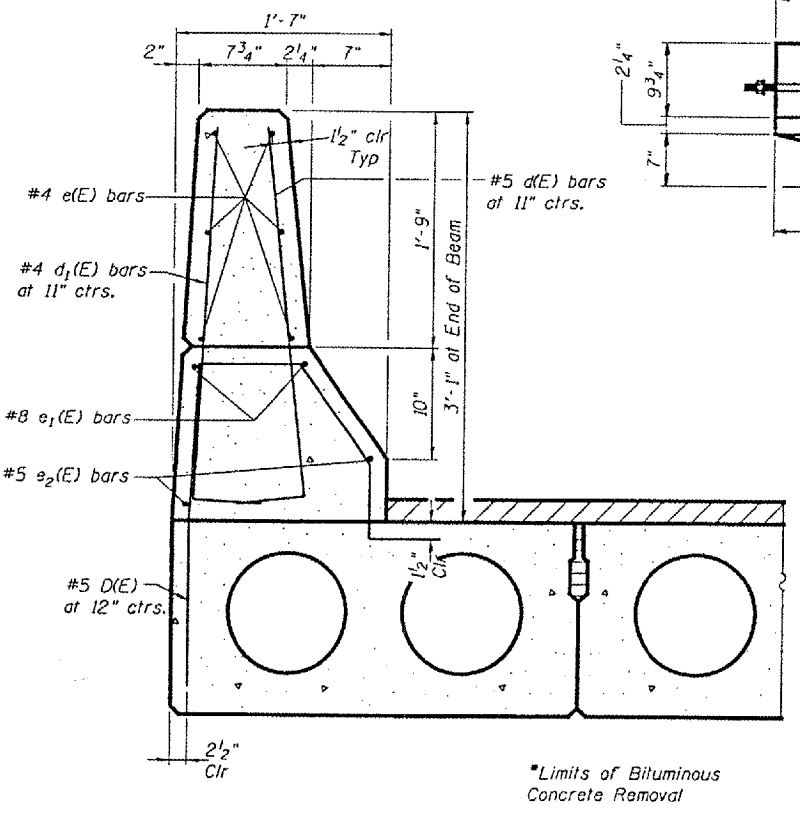


**SECTION THRU PARAPET SHOWING DRAIN**

**PARAPET ELEVATION**

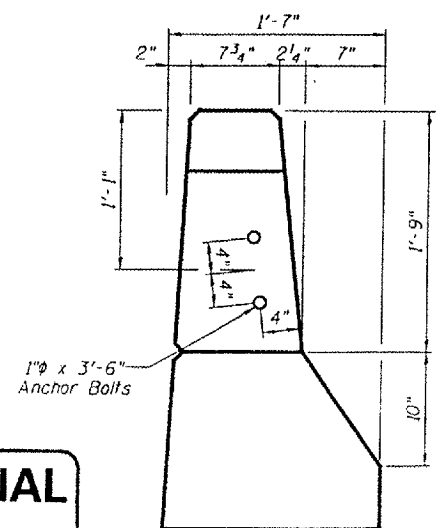


**SECTION B-B**

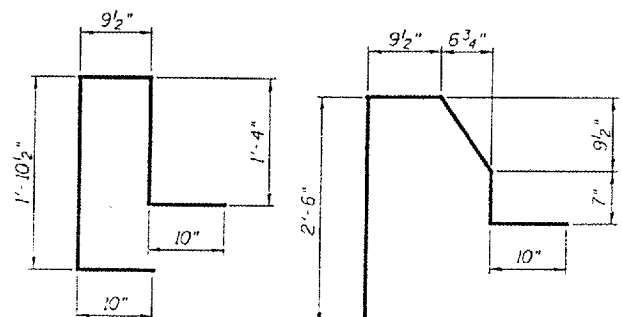


**SECTION THRU PARAPET**

**PARAPET END DETAILS**

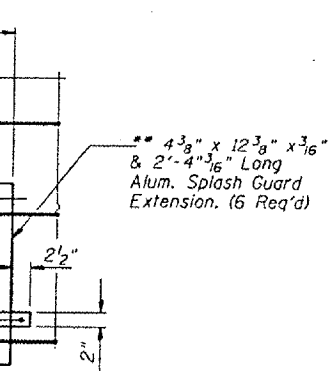


**PARAPET END VIEW**



**BAR D<sub>1</sub>(E)**

**BAR D(E)**



**SECTION A-A**

**BILL OF MATERIAL**

Bar	No.	Size	Length	Shape	
d(E)	76	#5	3'-4"	□	
d <sub>1</sub> (E)	76	#4	3'-4"	□	
e(E)	24	#4	19'-6"	□	
e <sub>1</sub> (E)	8	#8	20'-11"	□	
e <sub>2</sub> (E)	8	#5	19'-9"	□	
Reinforcement Bars Epoxy Coated				Pound	1360
Concrete Superstructure Cu. Yd.					8.5
Concrete Removal Cu. Yd.					8.5

All Bars Designated (E) Shall be Epoxy Coated.

**Mln. Bar Laps**

- #4 = 1'-8"
- #5 = 2'-2"
- #8 = 4'-6"

**PARAPET DETAILS**

F.A. RT. 124  
WILL COUNTY  
SN.099-0119

DESIGNED	V.H.V.
CHECKED	M.A.C.
DRAWN	Brew Christopher
CHECKED	V.H.V. M.A.C.

FINAL DATE	SIG
EXAMINED	
PASSED	

**2nd PRE-FINAL**

DATE: 04/22/2004