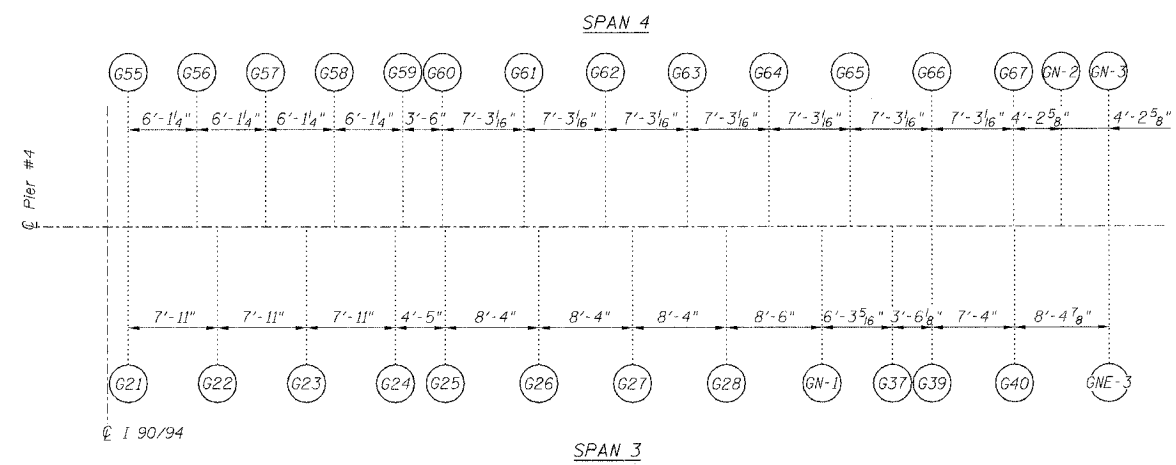


STATE OF ILLINOIS  
DEPARTMENT OF TRANSPORTATION

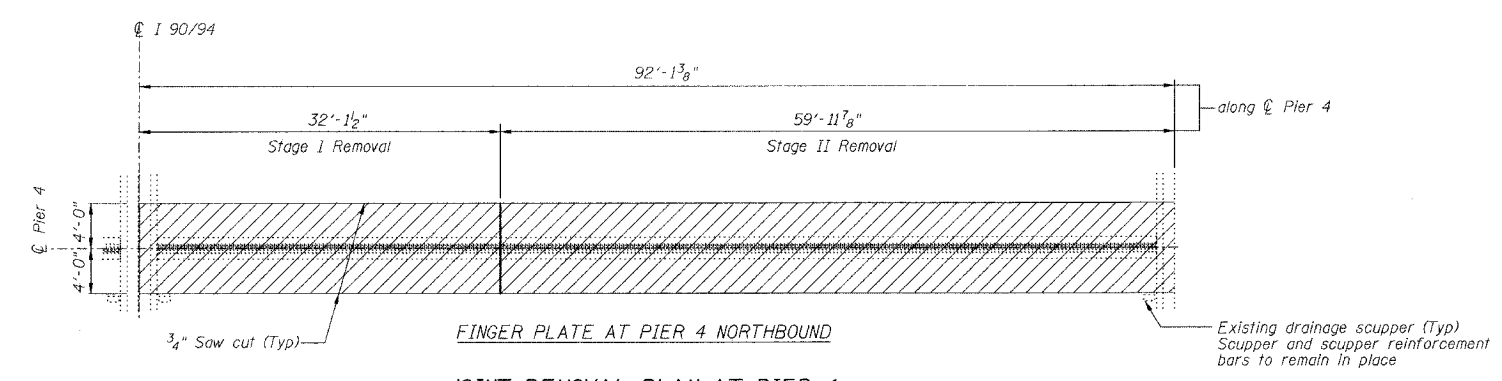
ROUTE NO.	SECTION	COUNTY	TOTAL SHEETS	SHEET NO.
FAI 90/94		COOK	93	17
FED. ROAD DIST. NO.	ILLINOIS PROJECT			
* 2005-008F CONTRACT #62919				

Sheet No 2  
of 8 Sheets



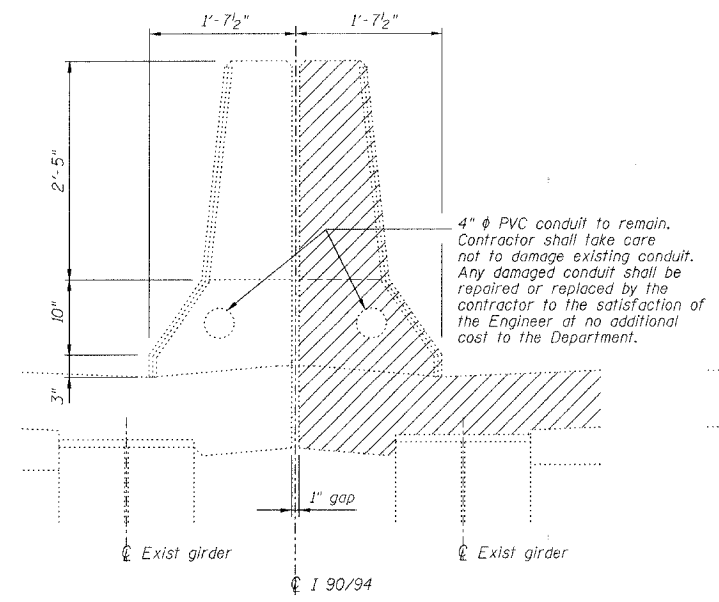
Note:  
All dimensions on girder layout  
are given along centerline of bearing.

GIRDER LAYOUT AT PIER 4

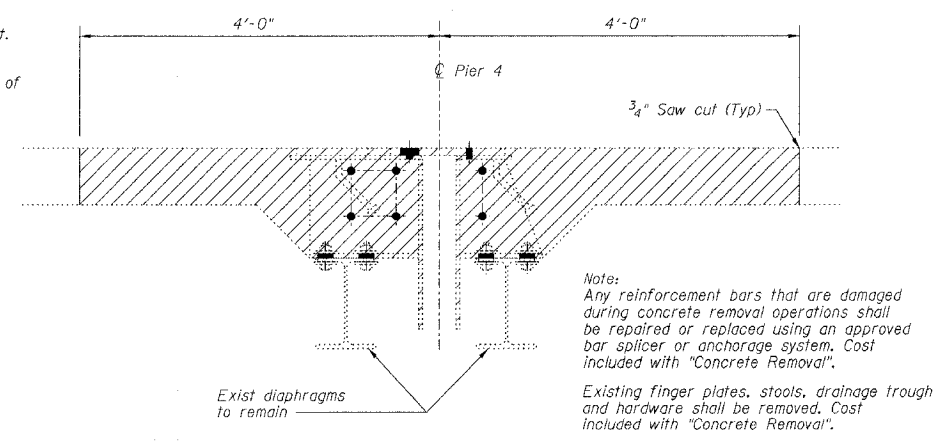


FINGER PLATE AT PIER 4 NORTHBOUND

JOINT REMOVAL PLAN AT PIER 4

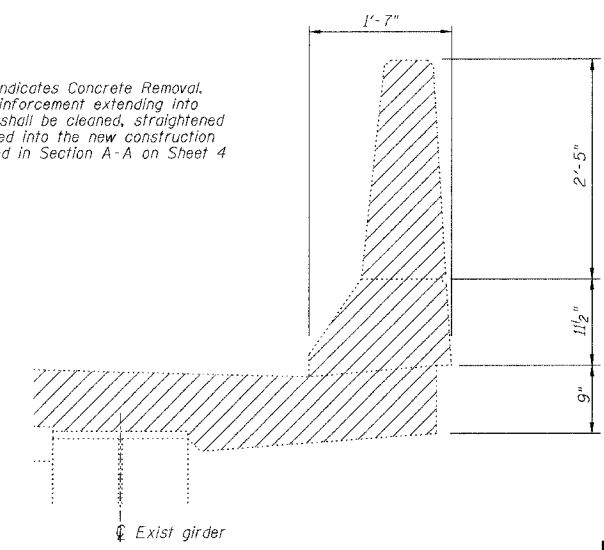


DETAIL AT EXISTING MEDIAN PARAPET



SECTION AT EXISTING FINGER PLATE AT PIER 4

Note:  
Hatched area indicates Concrete Removal.  
Longitudinal reinforcement extending into  
removal areas shall be cleaned, straightened  
and incorporated into the new construction  
except as noted in Section A-A on Sheet 4



DETAIL AT EXISTING OUTSIDE PARAPET

PIER NO. 4

REVISIONS			STATE OF ILLINOIS DEPARTMENT OF TRANSPORTATION DIVISION OF HIGHWAYS		DRAWN BY RLK	DATE 5/03
1			FAI RTE 90/94	DAN RYAN EXPRESSWAY	CHECKED BY SDS	5/03
2			SEC	SN 016-1110 (NORTHBOUND)	BOOK NUMBER	
3				COOK COUNTY	PROJECT No.	4222-3
4					SHEET No.	
5						
6						
7						
8						
9						
10						

**HOMER L. CHASTAIN & ASSOCIATES**  
CONSULTING ENGINEERS

8809 W. BRYAN MAJOR AVENUE  
SUITE 104  
CHICAGO, ILLINOIS 60631  
812-714-0000  
FAX 812-714-0005