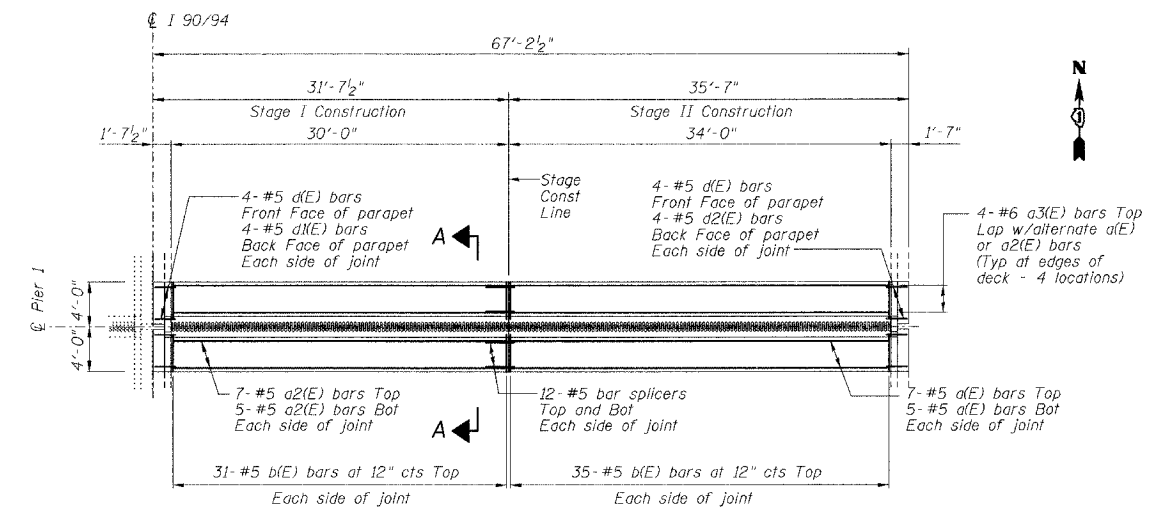


STATE OF ILLINOIS
DEPARTMENT OF TRANSPORTATION

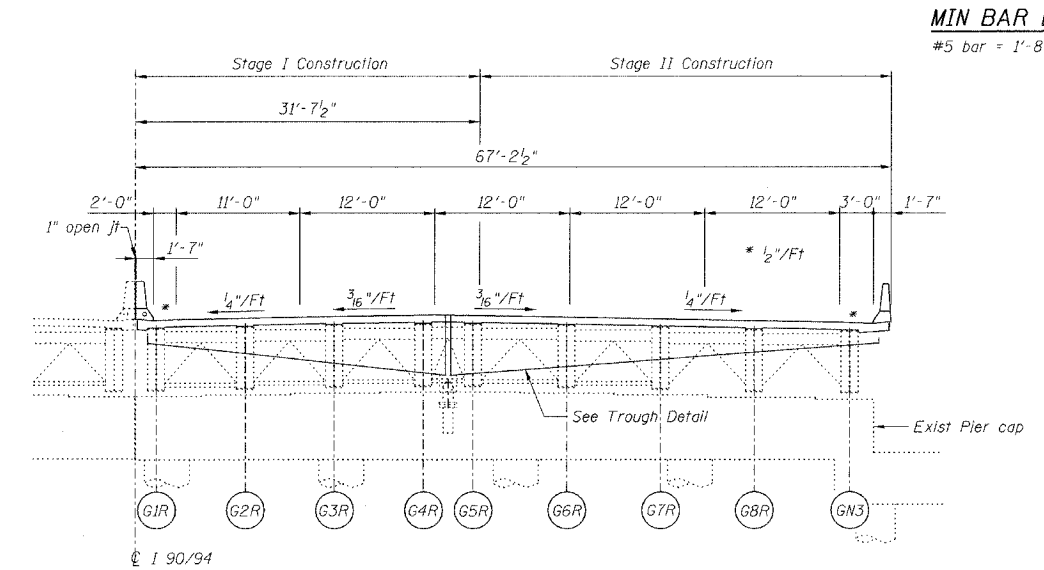
ROUTE NO.	SECTION	COUNTY	TOTAL SHEETS	SHEET NO.
FAI 90/94		COOK	93	26
FED. ROAD DIST. NO.	ILLINOIS PROJECT			
2005-008F				

Sheet No. 3
of 8 Sheets

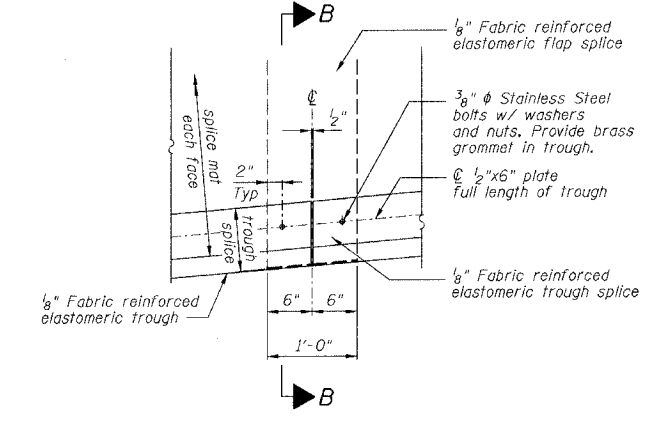
CONTRACT #62919



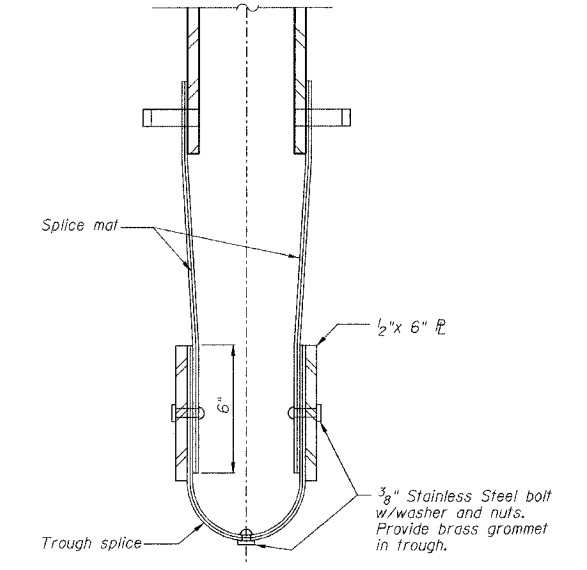
FINGER PLATE AT PIER 1 NORTHBOUND
JOINT RECONSTRUCTION PLAN AT PIER 1



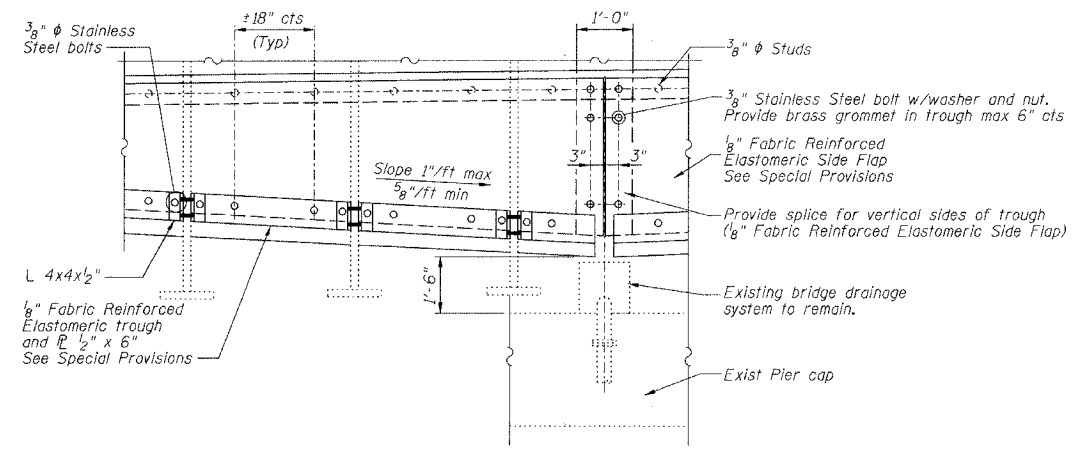
PIER 1 NORTHBOUND
ELEVATION AT PIER 1 (LOOKING NORTH)



TROUGH SPLICE DETAIL



SECTION B-B



TROUGH DETAIL

MIN BAR LAP
#5 bar = 1'-8"

NOTES
For Section A-A see Sheet 4 of 8.

PIER NO. 1		FINGER PLATE EXPANSION JOINT DETAILS	
REVISIONS	STATE OF ILLINOIS DEPARTMENT OF TRANSPORTATION DIVISION OF HIGHWAYS	FAI RTE 90/94	DAN RYAN EXPRESSWAY SN 016-1110 (NORTHBOUND)
NO. DATE INITIALS		SEC	COOK COUNTY
1			
2			
3			
4			
5			
6			
7			
8			
9			
10			
DRAWN BY DATE RLK 5/03		PROJECT No. 4222-3	
CHECKED BY DATE SDS 5/03		SHEET No.	
BOOK NUMBER		HOMER L. CHASTAIN & ASSOCIATES CONSULTING ENGINEERS	
8000 W. BIRNY MAWBS AVENUE SUITE 304 CHICAGO, ILLINOIS 60631 TEL: 774-4000 FAX: 312-734-4005			