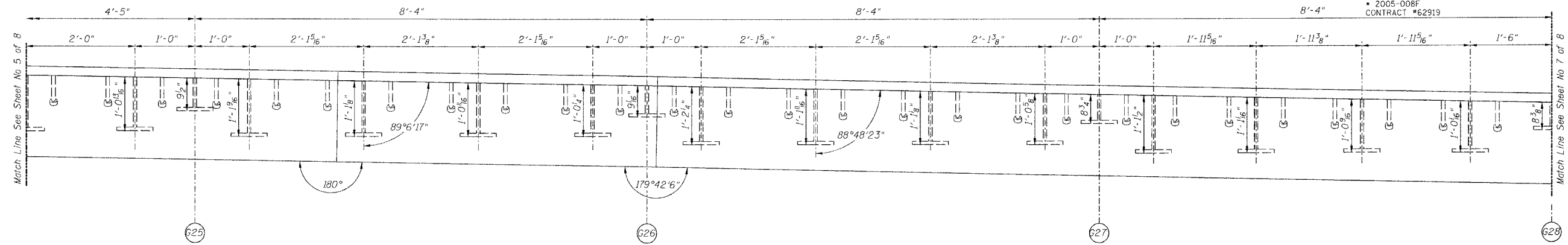


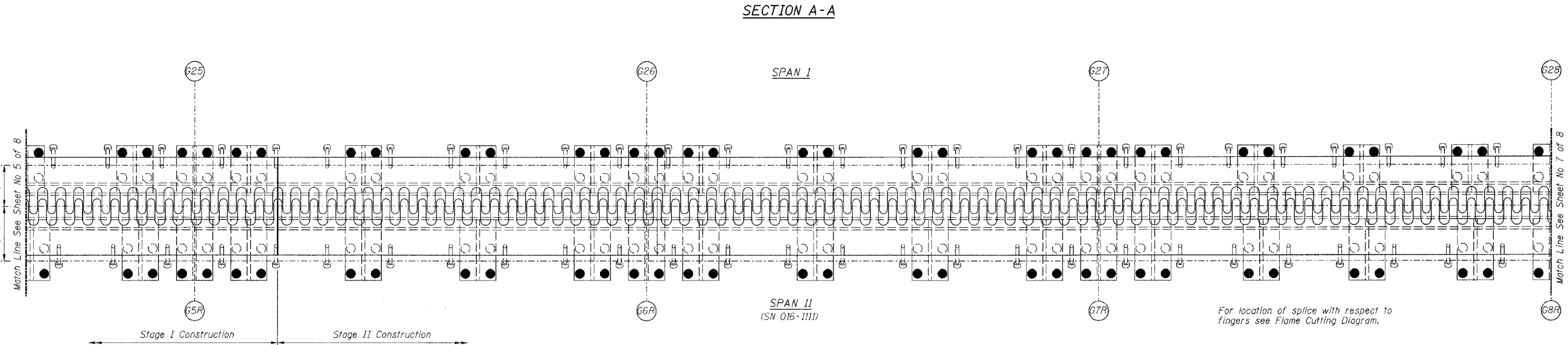
STATE OF ILLINOIS
DEPARTMENT OF TRANSPORTATION

ROUTE NO.	SECTION	COUNTY	TOTAL SHEETS	SHEET NO.
FAI 90/94		COOK	93	29
FED. ROAD DIST. NO.	ILLINOIS PROJECT			
2005-008F				
CONTRACT #62919				

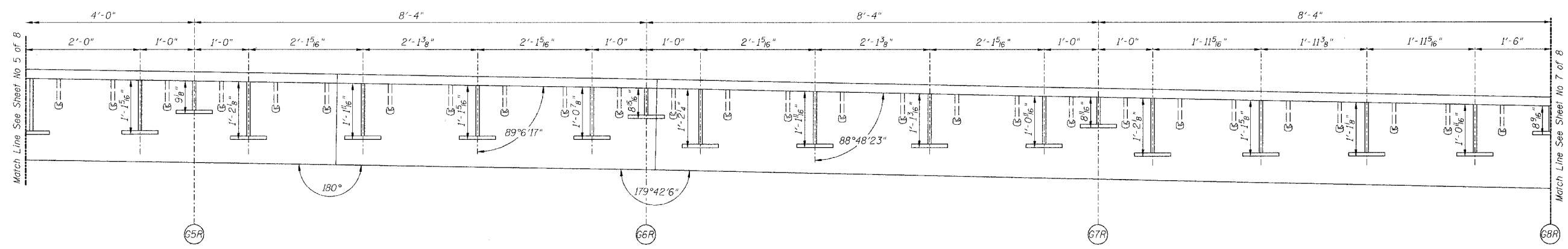
Sheet No 6
of 8 Sheets



SECTION A-A



PLAN OF FINGER PLATE AT PIER 1 (NORTHBOUND)



SECTION B-B

For location of splice with respect to fingers see Flame Cutting Diagram.

Note:
For optional splice detail see flame cutting diagram on Sheet No. 4

PIER NO. 1		FINGER PLATE PLAN AND ELEVATION DETAILS	
REVISIONS NO. DATE INITIALS		STATE OF ILLINOIS DEPARTMENT OF TRANSPORTATION DIVISION OF HIGHWAYS	
FAI RTE 90/94 SEC		DAN RYAN EXPRESSWAY SN 016-1110 (NORTHBOUND) COOK COUNTY	
HOMER L. CHASTAIN & ASSOCIATES CONSULTING ENGINEERS		DRAWN BY: RLK DATE: 5/03 CHECKED BY: SDS DATE: 5/03 PROJECT NO.: 4222-3 SHEET NO.:	