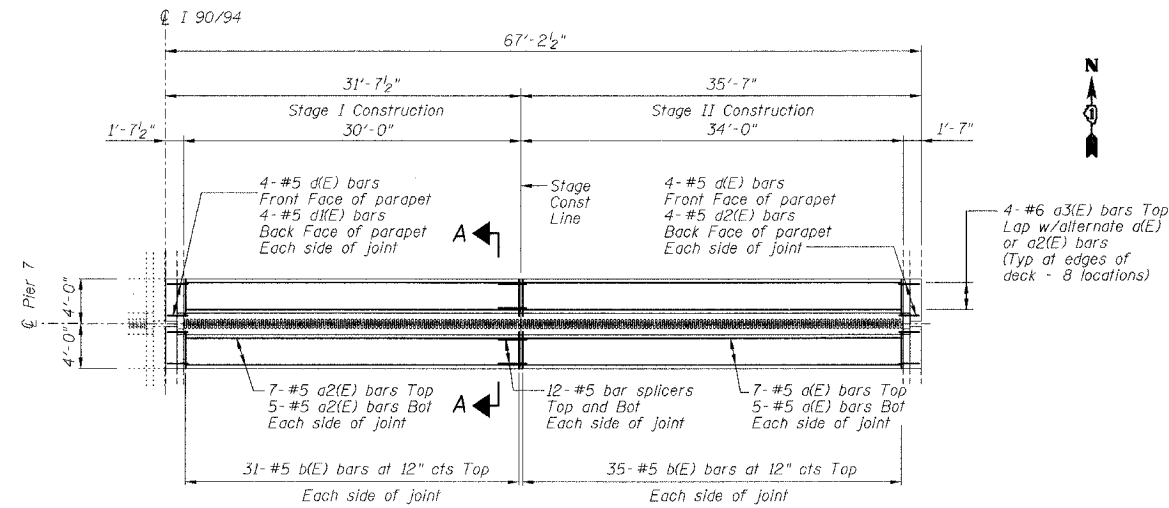


STATE OF ILLINOIS
DEPARTMENT OF TRANSPORTATION

| ROUTE NO. | SECTION | COUNTY | TOTAL SHEETS | SHEET NO. |
|---------------------|----------|---------|--------------|-----------|
| FA1 90/94 | | COOK | 93 | 34 |
| FED. ROAD DIST. NO. | ILLINOIS | PROJECT | | |
| 2005-008F | | | | |

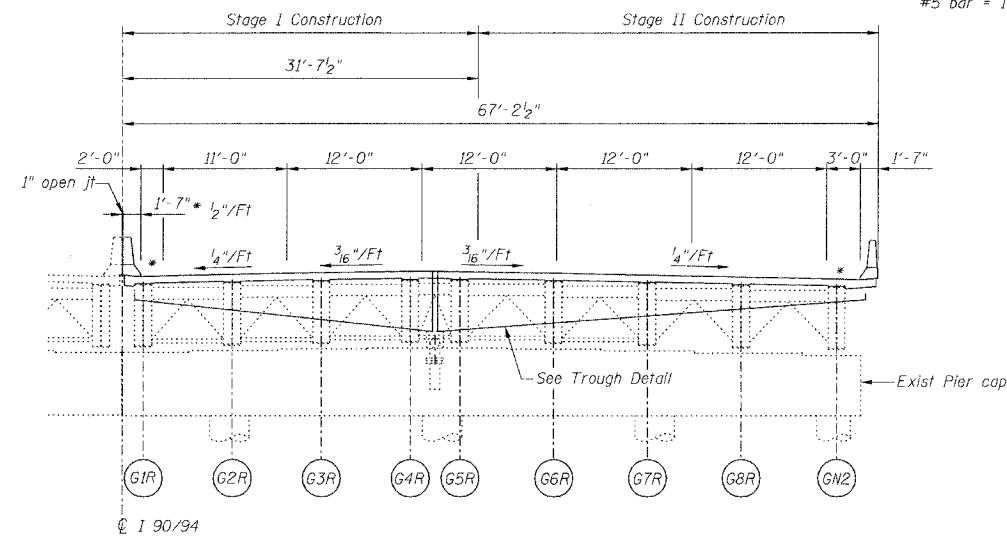
Sheet No 3
of 8 Sheets

CONTRACT #62919

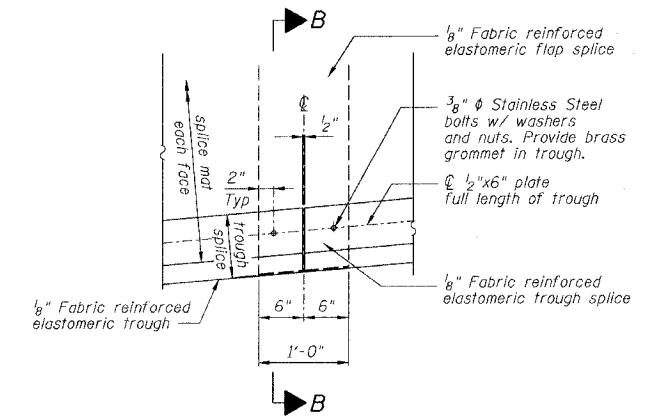


FINGER PLATE AT PIER 7 NORTHBOUND
JOINT RECONSTRUCTION PLAN AT PIER 7

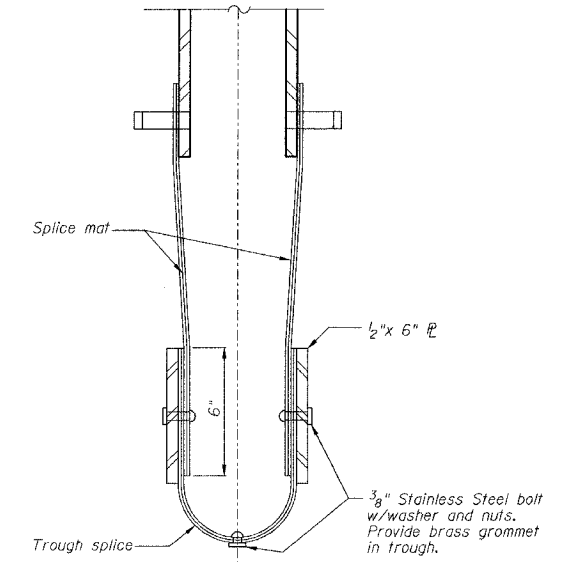
MIN BAR LAP
#5 bar = 1'-8"



PIER 7 NORTHBOUND
ELEVATION AT PIER 7 (LOOKING NORTH)

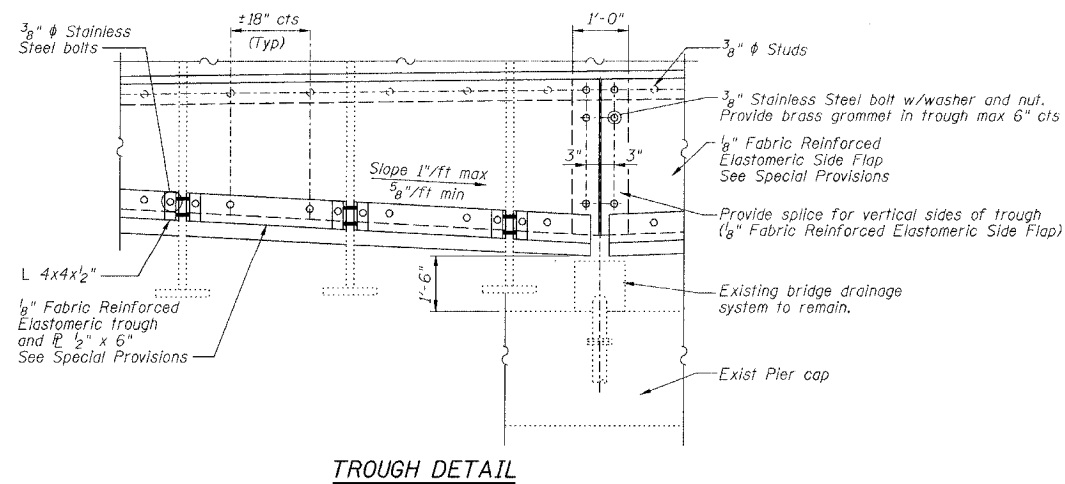


TROUGH SPLICE DETAIL



SECTION B-B

NOTES
For Section A-A see Sheet 4 of 8.



TROUGH DETAIL

PIER NO. 7

FINGER PLATE EXPANSION JOINT DETAILS

| | | | | | | |
|-----------|--|--|---|--|--|--------------|
| REVISIONS | | | STATE OF ILLINOIS DEPARTMENT OF TRANSPORTATION DIVISION OF HIGHWAYS | | DRAWN BY RLK | DATE 5/03 |
| 1 | | | FAI RTE 90/94 DAN RYAN EXPRESSWAY | | CHECKED BY SDS | DATE 5/03 |
| 2 | | | SN 016-1111 (NORTHBOUND) | | BOOK NUMBER | |
| 3 | | | SEC | | PROJECT No. | 4222-3 |
| 4 | | | COOK COUNTY | | SHEET No. | |
| 5 | | | HOMER L. CHASTAIN & ASSOCIATES CONSULTING ENGINEERS | | 8600 W. BERTH MARIE AVENUE SUITE 204 CHICAGO, ILLINOIS 60631 312-714-0150 FAX 312-714-0050 | |