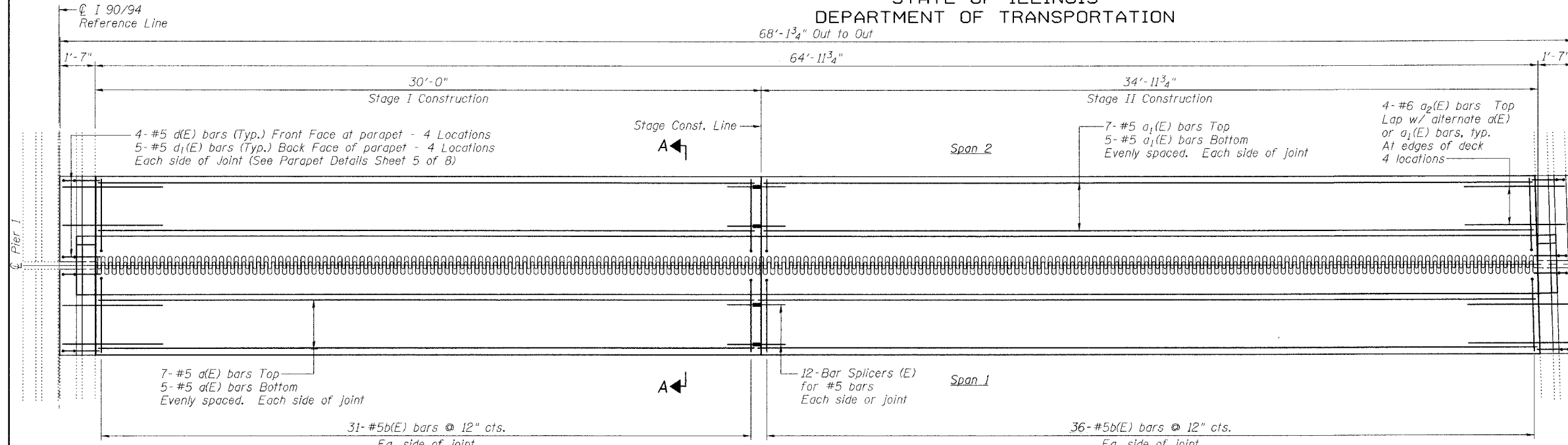


STATE OF ILLINOIS
DEPARTMENT OF TRANSPORTATION

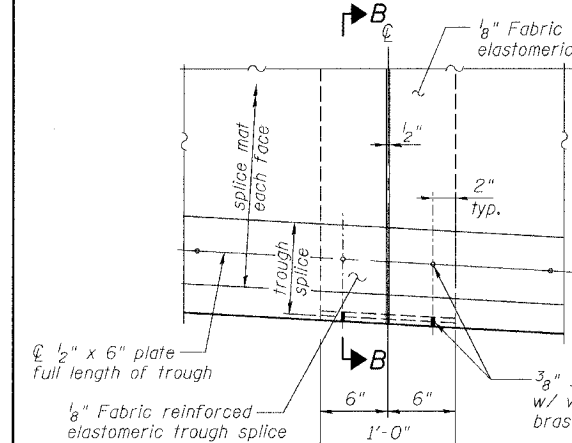
ROUTE NO.	SECTION	COUNTY	TOTAL SHEETS	SHEET NO.
FA1 90/94	*	COOK	93	49

SHEET NO. 3
8 SHEETS

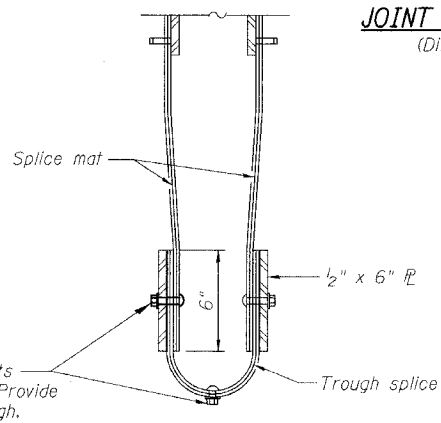
* 2005-008F
Contract #62919



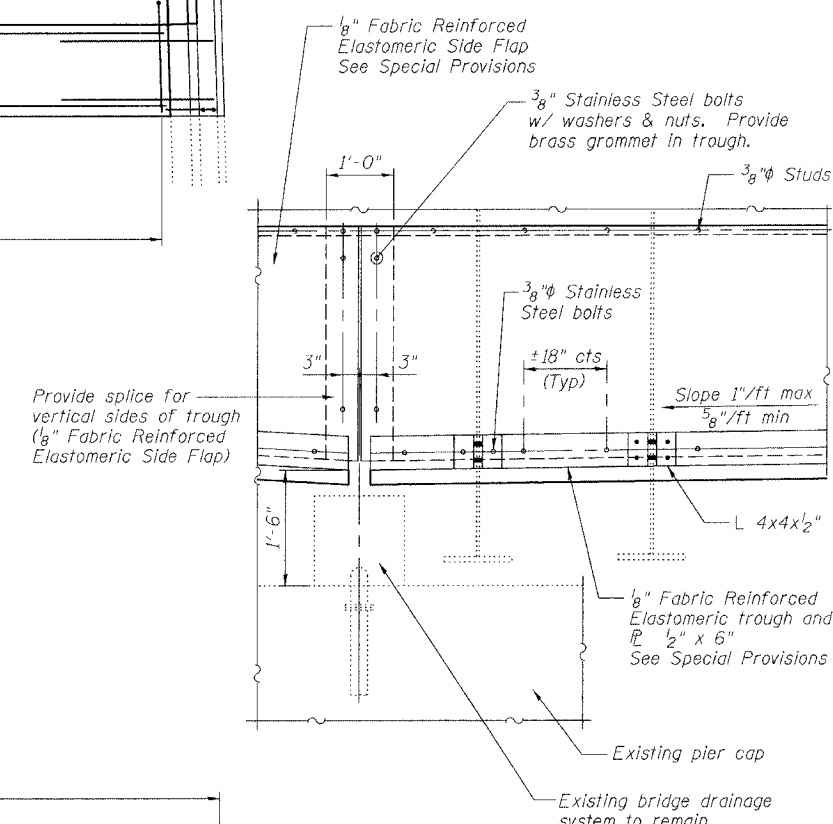
JOINT RECONSTRUCTION PLAN
(Dimensions are along \bar{C} Pier)



TROUGH SPLICE DETAIL

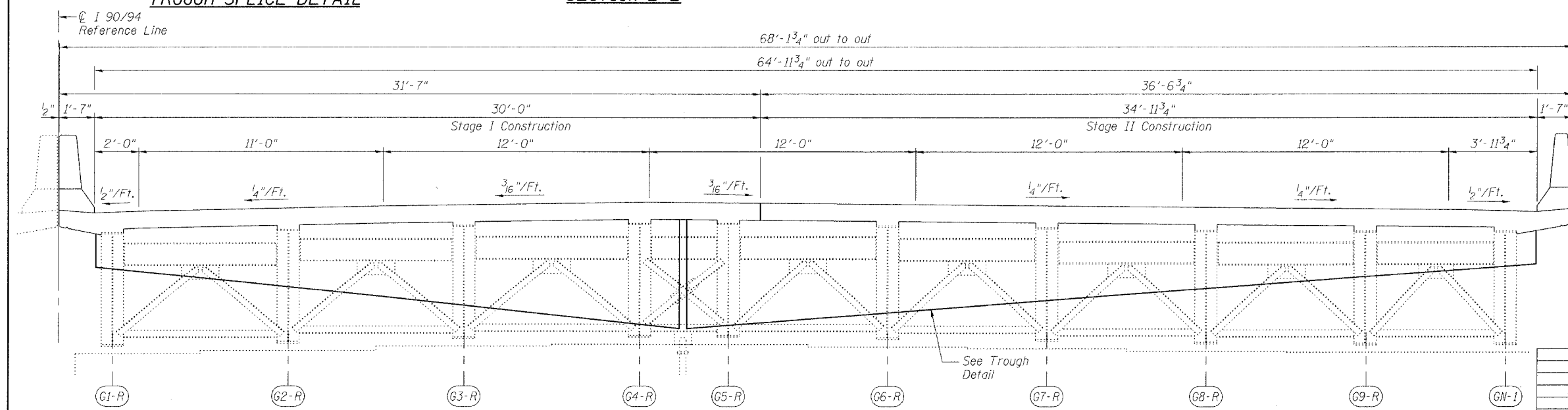


SECTION B-B



TROUGH DETAIL

- Notes:
- For Parapet Details and Superstructure Bill of Material, see Sheet 5 of 8.
 - For Section A-A, see Sheet 4 of 8.



ELEVATION (LOOKING NORTH)
(Dimensions are along \bar{C} Pier)

REVISIONS	
NAME	DATE

ILLINOIS DEPARTMENT OF TRANSPORTATION
PIER 2 JOINT DETAILS
F.A.I. ROUTE 90/94 NORTHBOUND (DAN RYAN EXPRESSWAY)
16TH STREET TO 18TH STREET
COOK COUNTY
S.N. 016-1111 - PIER 2

SCALE: VERT. DATE: 3/28/05
DRAWN BY: LANDREY
DESIGNED BY: SANFORD
CHECKED BY: -
COMPUTER FILE NO. 04286-W05-NB-PJ1
PROJECT 04286-W05
6/15/05-MML



FILE NAME = \$FILE\$
PLOT SCALE = \$PLOTSCALE\$
PLOT DATE = 6/27/2005
PLOT TIME = 2:51:37 PM
OPERATOR = michaell